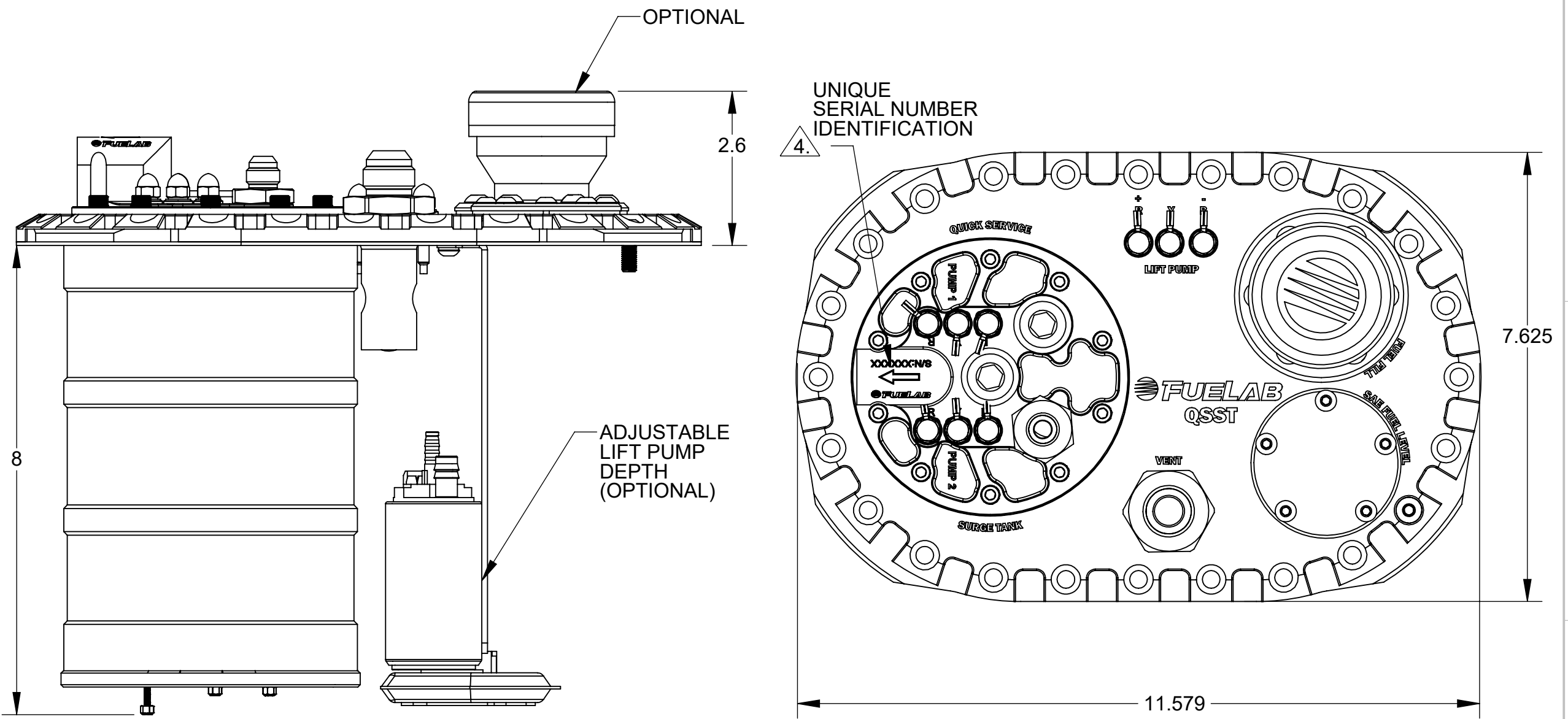


NOTES:

- THIS DRAWING DESCRIBES THE FUELAB 627xx QSST SERIES.
- FEATURES INCLUDE:
 - QSST SERVICE SURGE TANK FOR FAST PUMP SERVICE
 - FITS STANDARD 24 BOLT FILL PLATE BOLT PATTERN
 - ROLLOVER FLAP PROTECTION
 - BRUSHED OR BUSHLESS PUMP OPTION
 - FUEL TANK VENT w/ ROLLOVER PROTECTION
 - GASKETS & HARDWARE INCLUDED
 - STOCK w/ EMPTY FILL NECK HOLE
 - OPTIONAL: REMOTE FUEL FILL
FUEL LEVEL SENSOR
FUEL CELL VENT KIT
- FUEL COMPATIBILITY INCLUDES:
 - GASOLINE (PUMP OR RACE)
 - METHANOL
 - ETHANOL (INCLUDING E85)
- UNIQUE SERIAL NUMBER IS ASSOCIATED ONLY WITH PUMP DROP-INS BUT NO OTHER ACCESSORIES.
- REFERENCE DRAWING 1550201A01/02/03 FOR BOM AND ASSEMBLY NOTES.

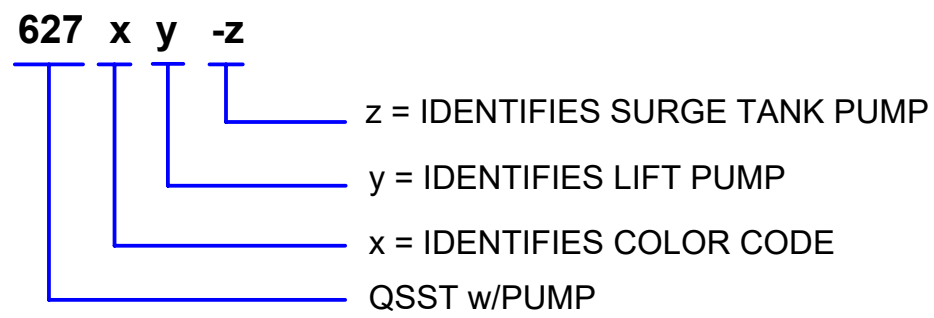


MODEL62712-3 SHOWN ABOVE AS EXAMPLE

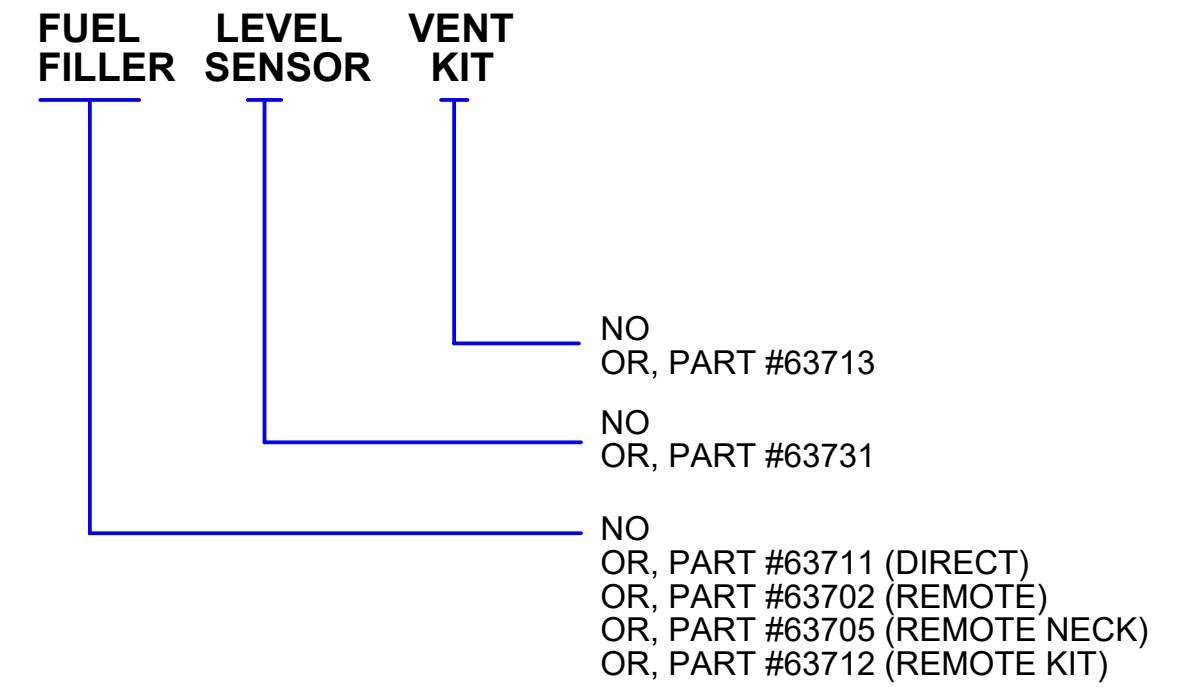
SEE TABLES BELOW FOR DETERMINATION OF DESIRED MODEL NUMBER.

MODEL NUMBER SCHEME:

HAVING SAME INLET AND OUTLET FITTING SIZES:



ADDING DIFFERENT ACCESSORIES



COLOR CODE, x

x	BODY COLOR
1	TITANIUM
2	GOLD

LIFT PUMP, y

y	PART #
0	NO LIFT PUMP
1	49442 340 LPH PUMP
2	63721 500 LPH BOSCH PUMP
3	49614 500 LPH PUMP

SURGE TANK PUMP, z

z	PART #	FLOW RATING
0	NO PUMP (95900)	NONE
1	DUAL494 (94902)	340 LPH (1500 HP)
2	SINGLE 496 (95901)	500 LPH (1300 HP)
3	DUAL 496 (95902)	500 LPH ea.(2600 HP)
4	47403 H/E (93903)	500 LPH (1300 HP)
5	47404 H/E (93904)	600 LPH (1600 HP)

UNLESS OTHERWISE SPECIFIED:
 INTERPRET DWG PER ANSI Y14.5
 DIMENSIONS ARE IN INCHES
 TOLERANCES:
 FRACTIONAL: ± 1/64"
 ANGULAR: ± 1/2°
 DECIMALS:
 X-.1 .XX±.03 .XXX±.010
 SURFACE FINISH 128 OR BETTER
 BREAK ALL SHARP EDGES .010 MAX
 REMOVE ALL BURRS
 THIRD ANGLE PROJECTION
 DO NOT SCALE DRAWING

FUELAB
 DIGITAL FUEL DELIVERY
 Collinsville, Illinois

TITLE:
**QSST,
 627xx SERIES**

SIZE DWG. NO. REV
C 155020100 A

SCALE: 1/2 WEIGHT: 9.85 LB SHEET: 1 OF 1