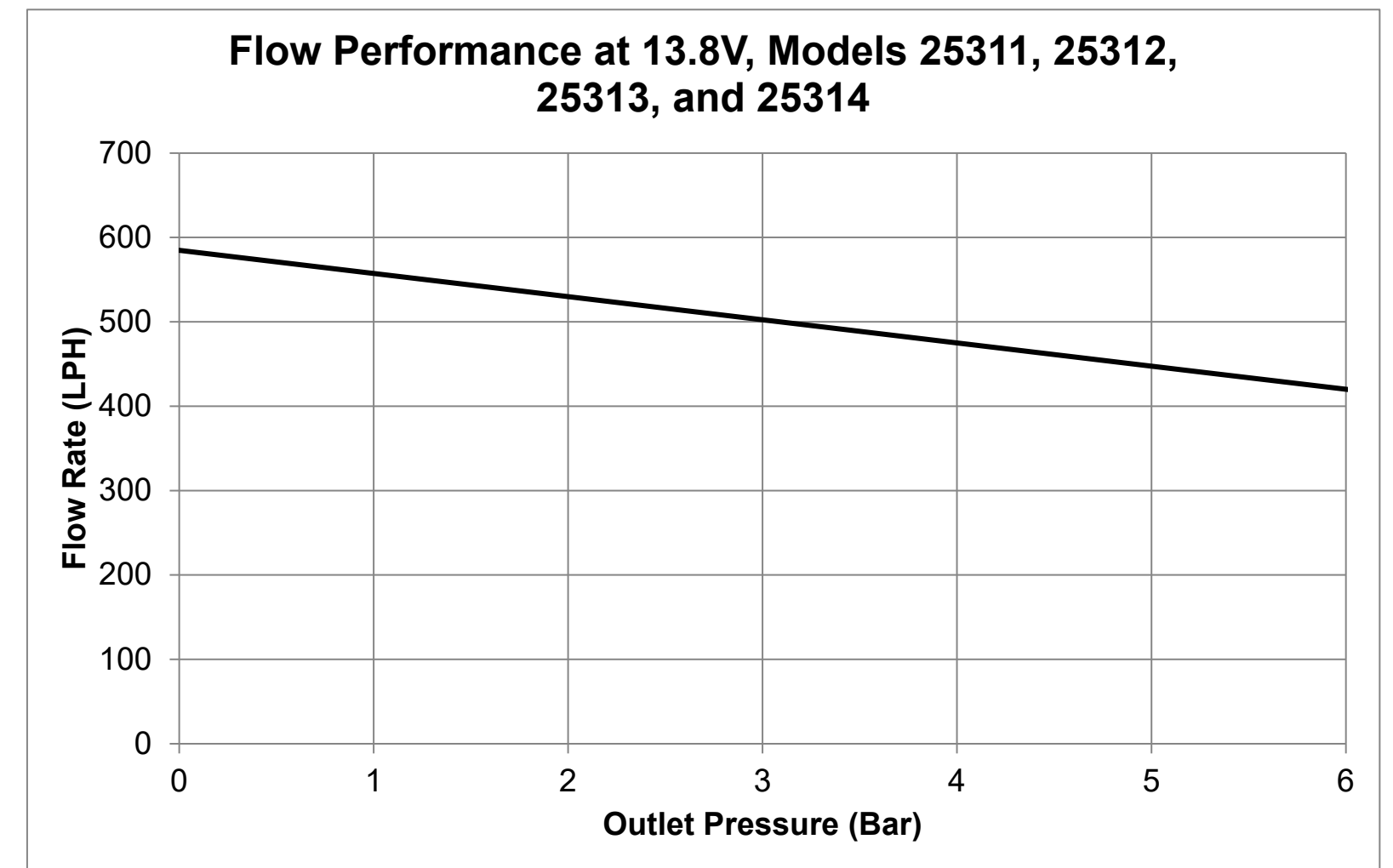
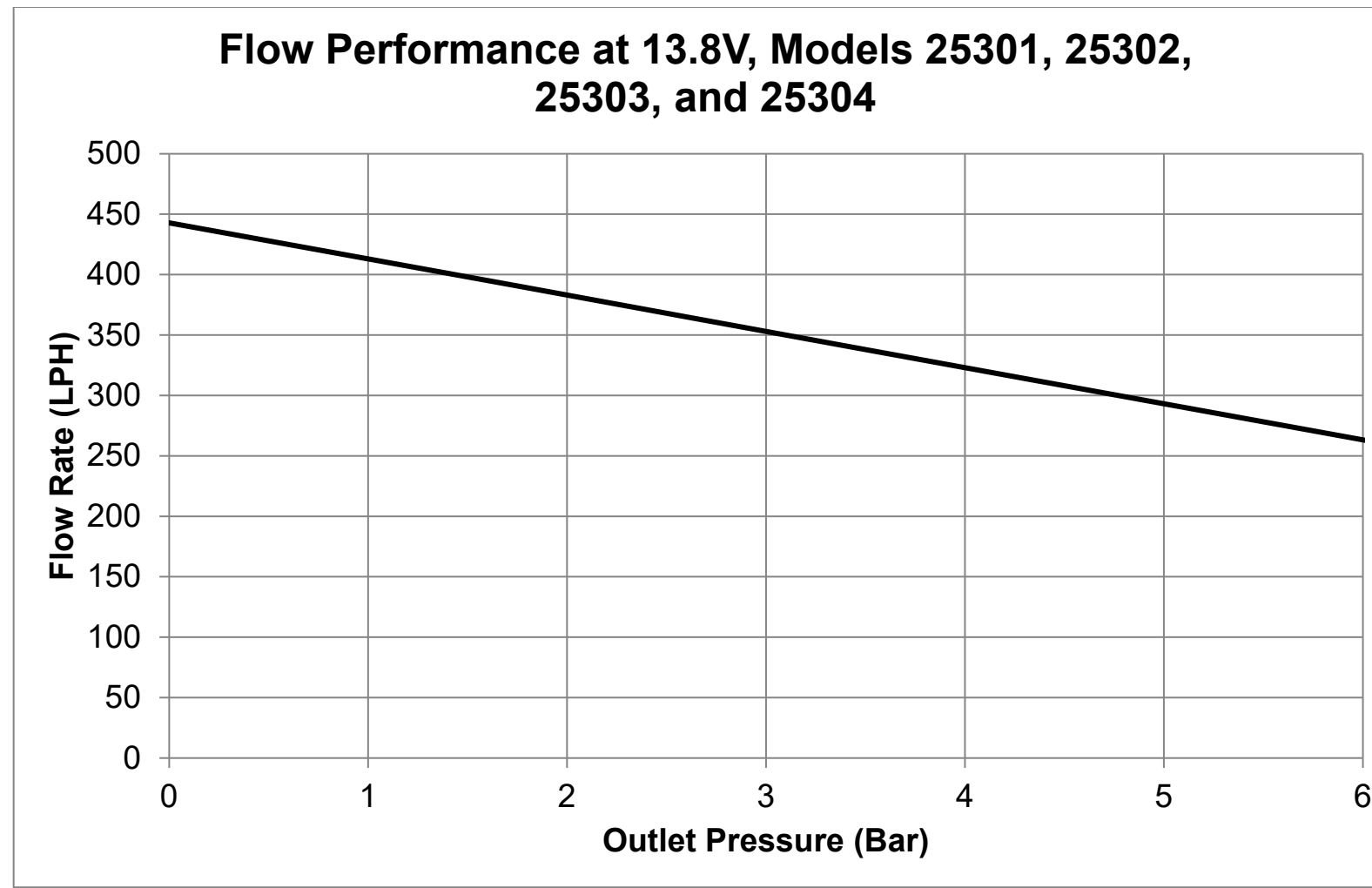


**NOTES:**

1. THIS DRAWING DESCRIBES THE FUELAB MODEL 253xx SERIES IN-TANK FUEL PUMP KIT.
2. FEATURES INCLUDE:
  - THREE PHASE DC BRUSHLESS SCREW PUMP WITH TURBINE PUMP
  - IN-TANK PUMP CONFIGURATION FOR EASY INSTALLATION
  - EXTERNAL DC BRUSHLESS CONTROLLER WITH PWM SPEED CONTROL
  - THREE WIRE BULKHEAD FEEDTHRU WITH TEFLON INSULATION
  - IN-TANK STRAINING FILTER
3. FUEL COMPATIBILITY INCLUDES:
  - GASOLINE (PUMP OR RACE)
  - METHANOL
  - ETHANOL (INCLUDING E85)
  - DIESEL
4. UNIQUE SERIAL NUMBERS DO NOT CONTAIN DIRECT INFORMATION IN DETERMINING MODEL NUMBER. CONTACT FUELAB FOR DETERMINATION OF MODEL NUMBER BASED ON SERIAL NUMBER.
5. INSTRUCTIONS AND PERFORMANCE CERTIFICATION INCLUDED, BAGGED SEPARATELY FROM PUMP. REFERENCE SUBSEQUENT SHEETS FOR FULL KIT CONTENTS OF THE VARIOUS AVAILABLE MODELS.
6. 8-16 VOLT OPERATING RANGE, USE ONLY 12 VOLT (6 CELL LEAD ACID BATTERY) VEHICLE SYSTEMS WITH OR WITHOUT CHARGING SYSTEM.
7. SYSTEM REQUIRES BYPASS REGULATOR OR RELIEF VALVE TO AVOID OVER-PRESSURE OPERATING CONDITION. SYSTEM REQUIRES 20 AMP RELAY AND FUSE. ADDITIONAL PLUMBING REQUIRED FOR OUTLET FLOW.
8. SEE TABLE BELOW FOR DETERMINATION OF DESIRED MODEL NUMBER. MODELS 25304 AND 25314 HAS ADDITIONAL 6mm OUTLET FOR USE WITH JET PUMP (EDUCTOR) SYSTEM. BOTH OUTLETS CONTAIN CHECK VALVE. ALL OTHER PUMPS DO NOT HAVE BUILT IN CHECK VALVES.

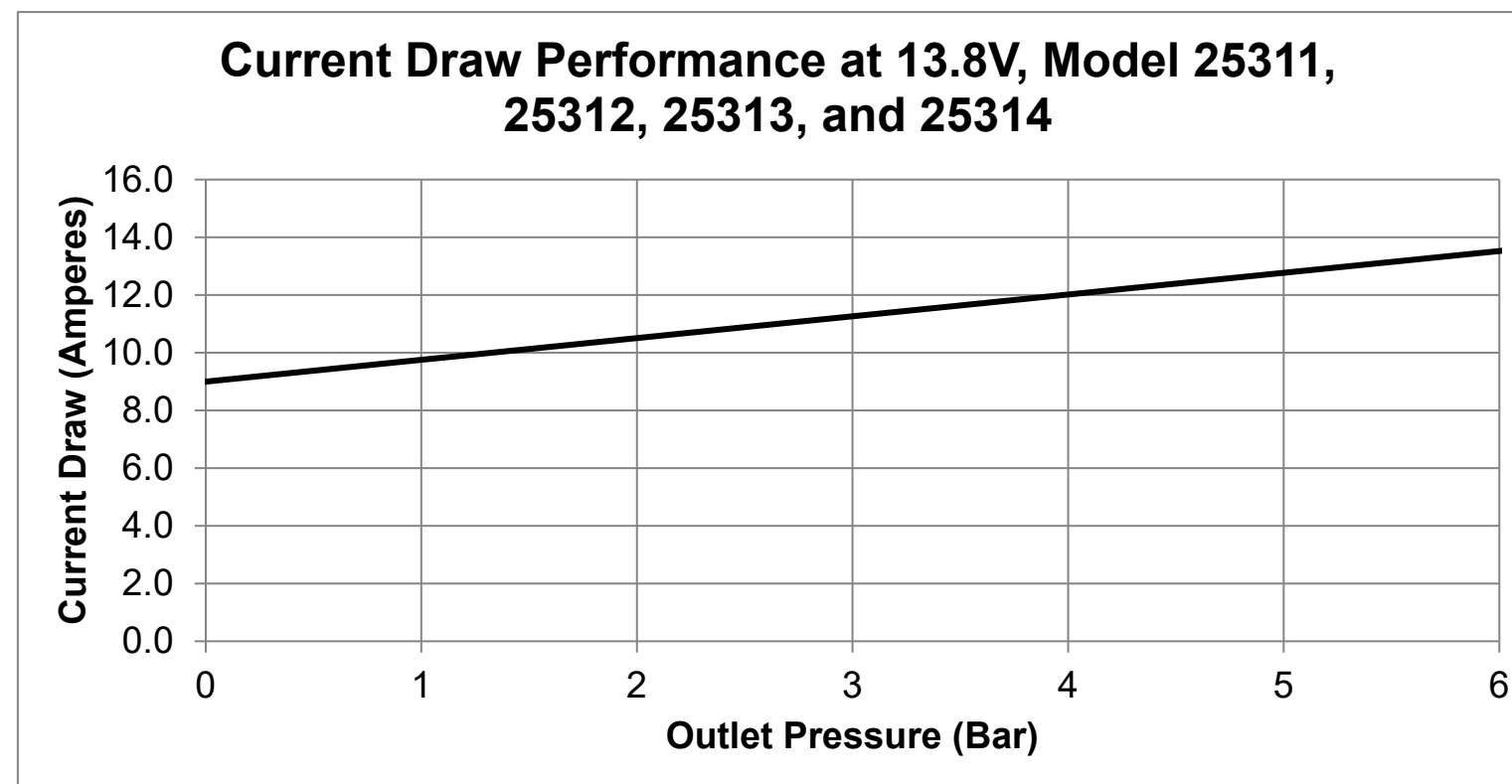
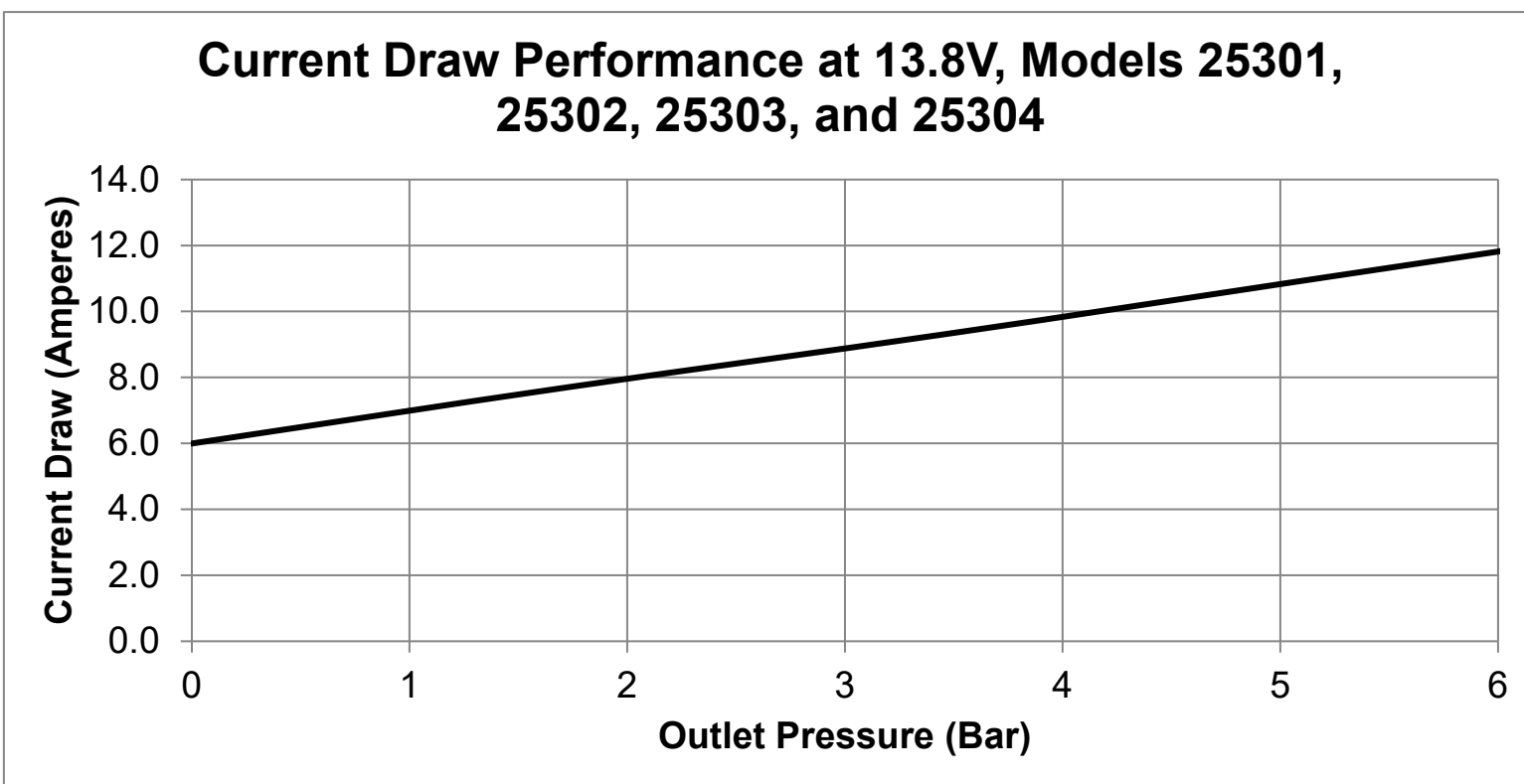


**MODEL SELECTION TABLE**

MODEL	OUTLET TYPE	FLOW RATING, AT 13.8v	MAX. PRESSURE	SPECIAL FEATURES
25301	-6AN	92 GPH AT 45 PSI (350 LPH AT 3.0 BAR)	125 PSI (8.6 BAR)	
25302	5/16" SAE	92 GPH AT 45 PSI (350 LPH AT 3.0 BAR)	125 PSI (8.6 BAR)	
25303	3/8" SAE	92 GPH AT 45 PSI (350 LPH AT 3.0 BAR)	125 PSI (8.6 BAR)	
25304	9mm BARBED	92 GPH AT 45 PSI (350 LPH AT 3.0 BAR)	125 PSI (8.6 BAR)	AUX 6mm BARB SIPHON
25311	-6AN	132 GPH AT 45 PSI (500 LPH AT 3.0 BAR)	125 PSI (8.6 BAR)	
25312	5/16" SAE	132 GPH AT 45 PSI (500 LPH AT 3.0 BAR)	125 PSI (8.6 BAR)	
25313	3/8" SAE	132 GPH AT 45 PSI (500 LPH AT 3.0 BAR)	125 PSI (8.6 BAR)	
25314	9mm BARBED	132 GPH AT 45 PSI (500 LPH AT 3.0 BAR)	125 PSI (8.6 BAR)	AUX 6mm BARB SIPHON

8.

8.



UNLESS OTHERWISE SPECIFIED:

INTERPRET DWG PER ANSI Y14.5  
DIMENSIONS ARE IN INCHES

TOLERANCES:  
FRACTIONAL: ±1/64"  
ANGULAR: ±1/2°  
DECIMALS:  
X±1 .XX±.03 .XXX±.010

SURFACE FINISH 128 ✓ OR BETTER

BREAK ALL SHARP EDGES .010 MAX  
REMOVE ALL BURRS

THIRD ANGLE PROJECTION

**DO NOT SCALE DRAWING**

**FUELAB**  
DIGITAL FUEL DELIVERY  
Collinsville, Illinois

TITLE:  
**IN-TANK PUMP KIT,  
253xx SERIES**

SIZE	DWG. NO.	REV
<b>C</b>	<b>153020100</b>	

SCALE: 1/2 WEIGHT: SHEET: 1 OF 3

FUEL PUMP PER  
MODEL 49601 OR 49611

INLET STRAINING FILTER

PIGTAIL  
CONNECTOR

CONTROLLER PER  
MODEL 72002

BULKHEAD  
FEEDTHRU PER  
MODEL 74101

BUTT SPLICES  
WITH FUEL RESISTANT  
SHRINK WRAP

FUEL PUMP PER  
MODEL 49602 OR 49612

INLET STRAINING FILTER

PIGTAIL  
CONNECTOR

CONTROLLER PER  
MODEL 72002

BULKHEAD  
FEEDTHRU PER  
MODEL 74101

BUTT SPLICES  
WITH FUEL RESISTANT  
SHRINK WRAP


DELPHI (APTIV)  
WEATHER PACK  
3-WIRE  
CONNECTORS

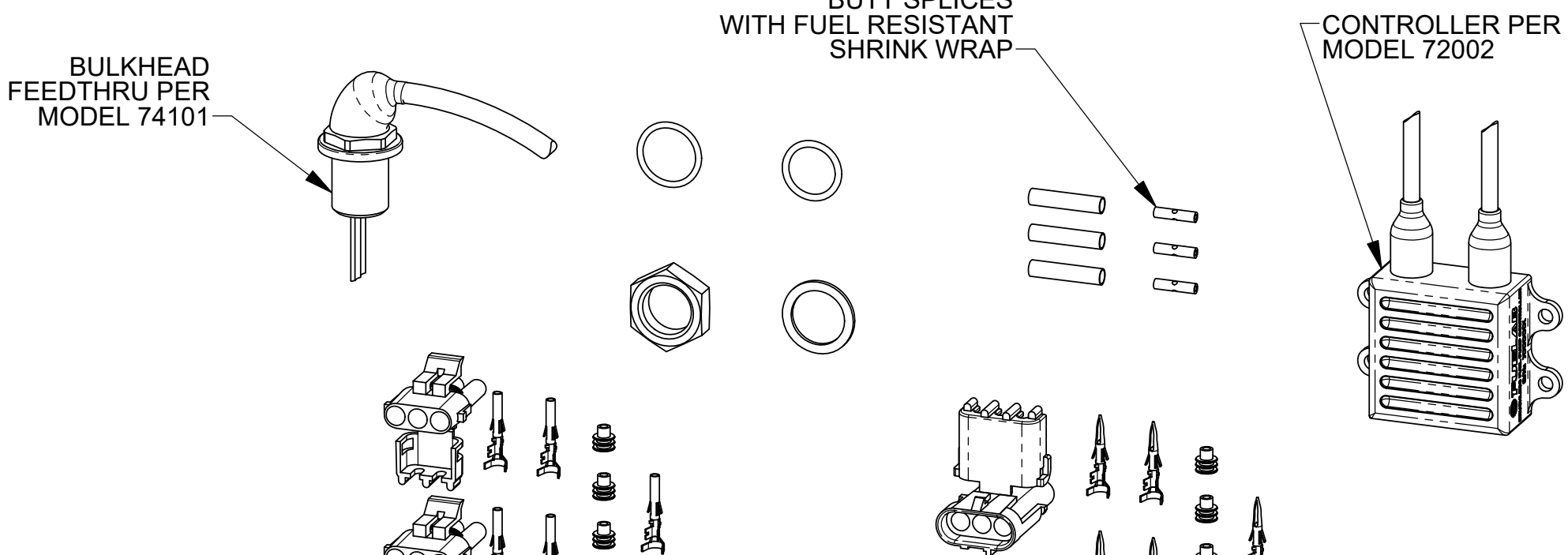
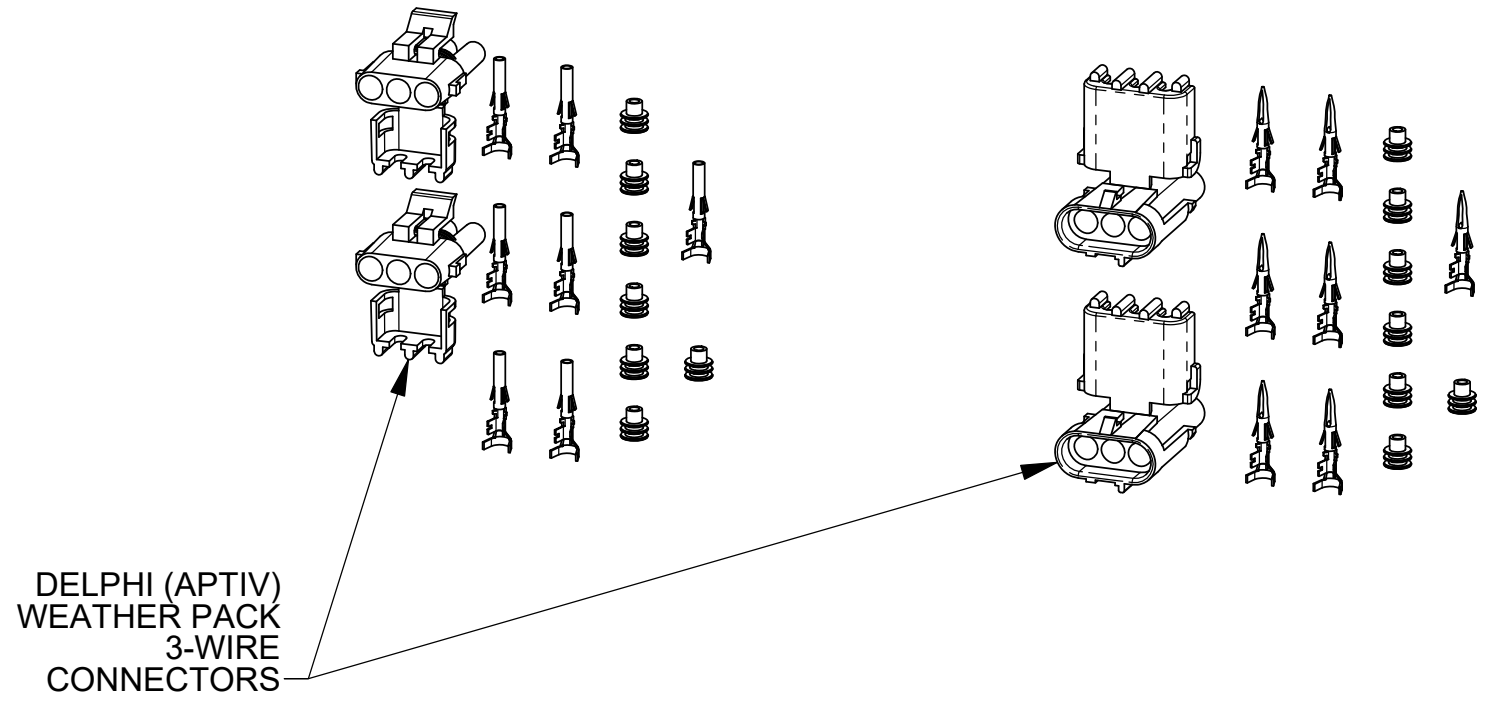
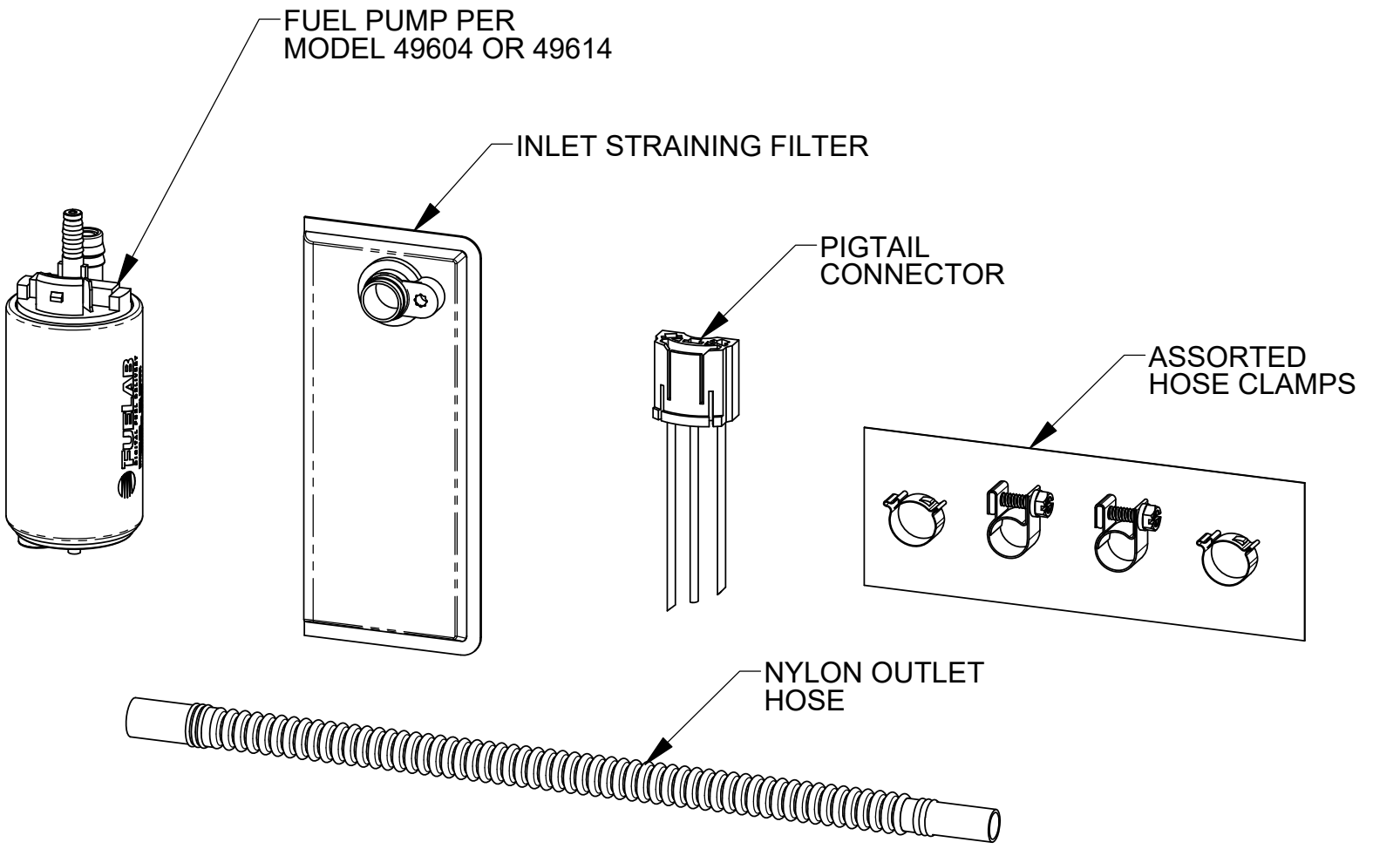
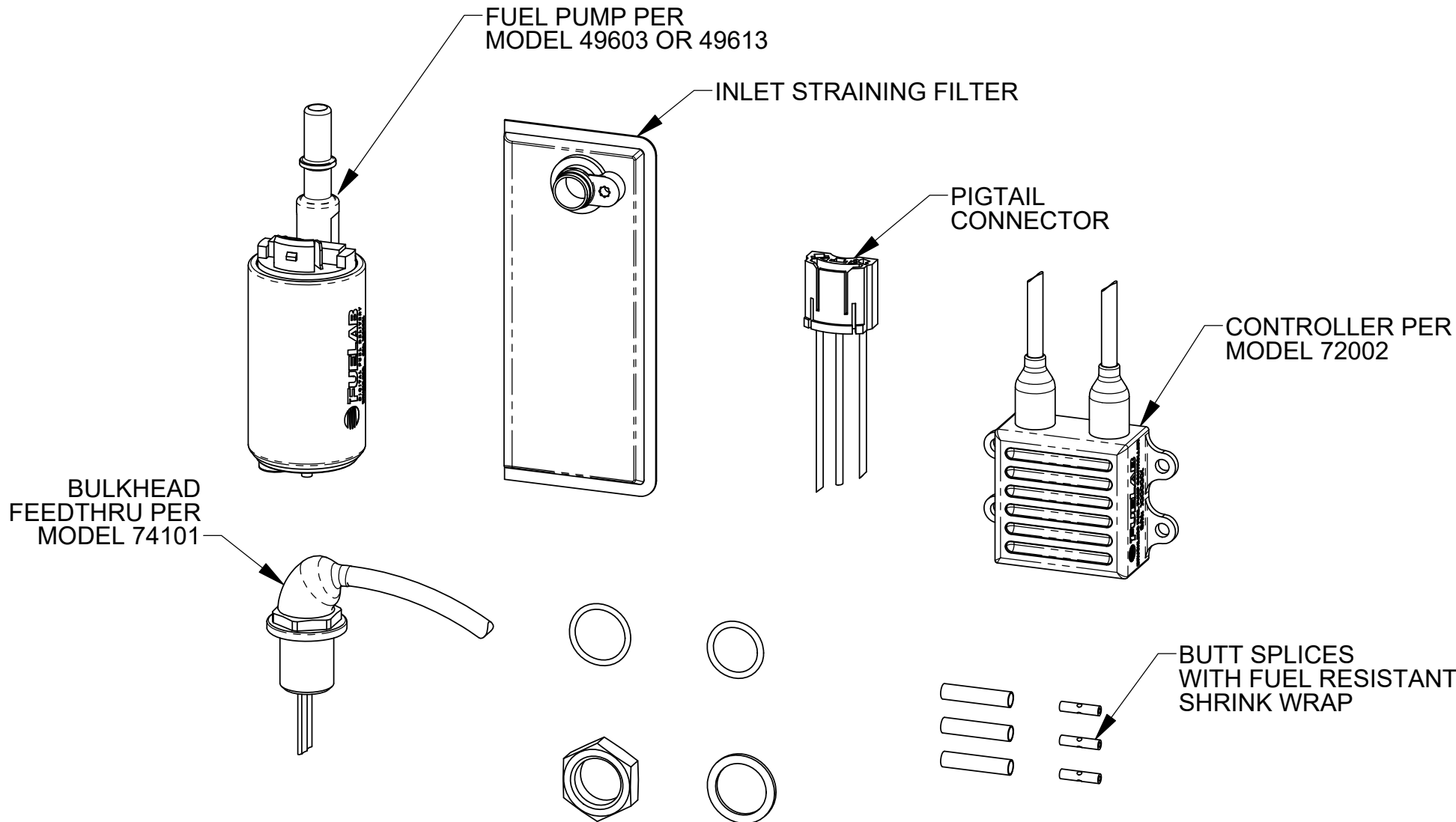
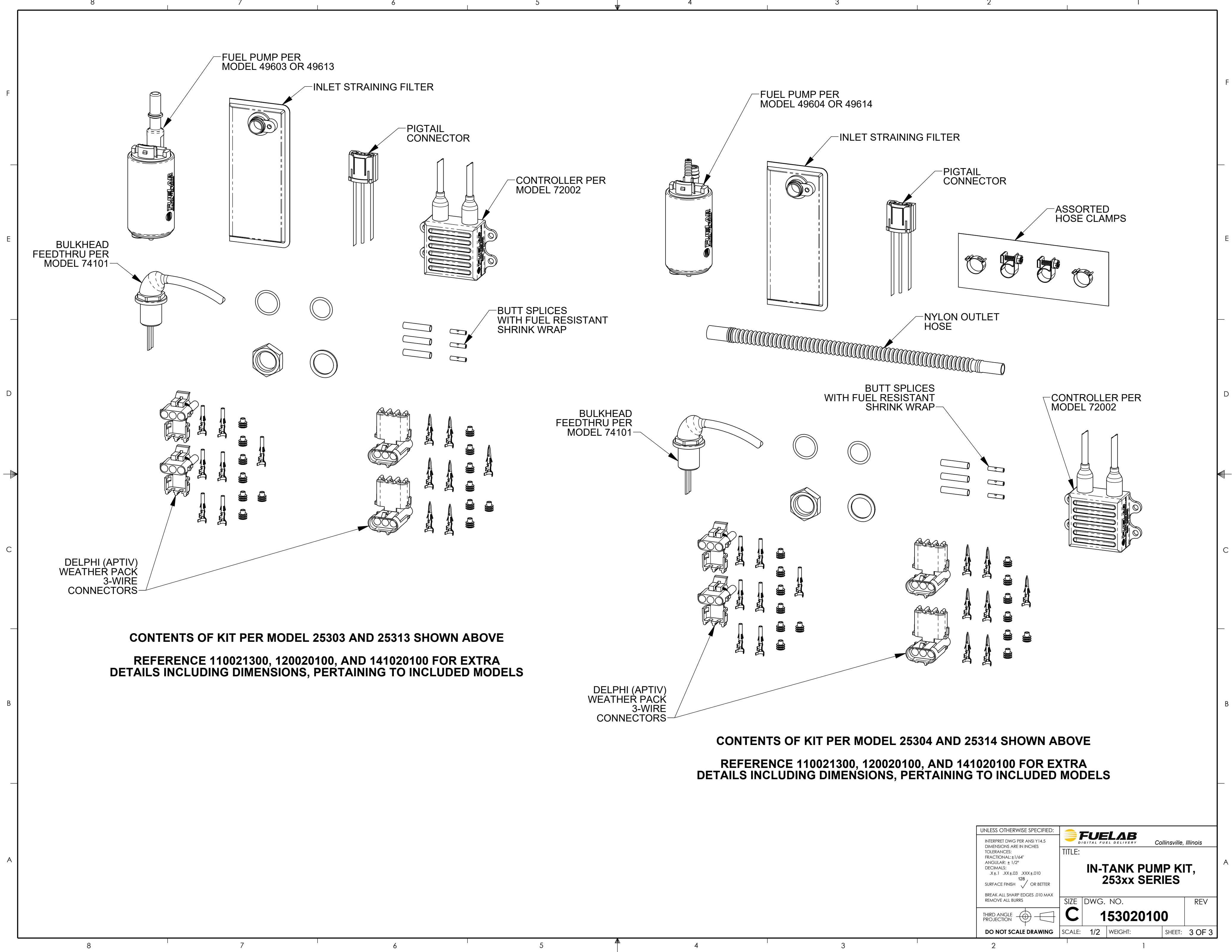
DELPHI (APTIV)  
WEATHER PACK  
3-WIRE  
CONNECTORS

**CONTENTS OF KIT PER MODEL 25301 AND 25311 SHOWN ABOVE**  
**REFERENCE 110021300, 120020100, AND 141020100 FOR EXTRA  
DETAILS INCLUDING DIMENSIONS, PERTAINING TO INCLUDED MODELS**

**CONTENTS OF KIT PER MODEL 25302 AND 25312 SHOWN ABOVE**  
**REFERENCE 110021300, 120020100, AND 141020100 FOR EXTRA  
DETAILS INCLUDING DIMENSIONS, PERTAINING TO INCLUDED MODELS**


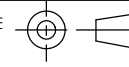
UNLESS OTHERWISE SPECIFIED:  
INTERPRET DWG PER ANSI Y14.5  
DIMENSIONS ARE IN INCHES  
TOLERANCES:  
FRACTIONAL: ±1/64"  
ANGULAR: ±1/2°  
DECIMALS:  
X±1 .XX±.03 .XXX±.010  
SURFACE FINISH 128 ✓ OR BETTER  
BREAK ALL SHARP EDGES .010 MAX.  
REMOVE ALL BURRS  
THIRD ANGLE  
PROJECTION  
**DO NOT SCALE DRAWING**

 <small>DIGITAL FUEL DELIVERY</small> <small>Collinsville, Illinois</small>		<b>TITLE:</b> <b>IN-TANK PUMP KIT,          253xx SERIES</b>	
<b>SIZE</b> <b>C</b>	<b>DWG. NO.</b> <b>153020100</b>	<b>REV</b> 	
<b>SCALE:</b> 1/2	<b>WEIGHT:</b>	<b>SHEET:</b> 2 OF 3	



**CONTENTS OF KIT PER MODEL 25303 AND 25313 SHOWN ABOVE**  
**REFERENCE 110021300, 120020100, AND 141020100 FOR EXTRA**  
**DETAILS INCLUDING DIMENSIONS, PERTAINING TO INCLUDED MODELS**

**CONTENTS OF KIT PER MODEL 25304 AND 25314 SHOWN ABOVE**  
**REFERENCE 110021300, 120020100, AND 141020100 FOR EXTRA**  
**DETAILS INCLUDING DIMENSIONS, PERTAINING TO INCLUDED MODELS**

UNLESS OTHERWISE SPECIFIED:		 <small>DIGITAL FUEL DELIVERY</small> <small>Collinsville, Illinois</small>	
<small>INTERPRET DWG PER ANSI Y14.5</small> <small>DIMENSIONS ARE IN INCHES</small> <small>TOLERANCES:</small> <small>FRACTIONAL: ±1/64"</small> <small>ANGULAR: ±1/2°</small> <small>DECIMALS:</small> <small>X±1 .XX±.03 .XXX±.010</small> <small>SURFACE FINISH 128 ✓ OR BETTER</small> <small>BREAK ALL SHARP EDGES .010 MAX</small> <small>REMOVE ALL BURRS</small>		<small>TITLE:</small> <p style="text-align: center;"><b>IN-TANK PUMP KIT,</b> <b>253xx SERIES</b></p>	
<small>THIRD ANGLE PROJECTION</small> 	<small>SIZE</small> <p style="font-size: 2em; font-weight: bold;">C</p>	<small>DWG. NO.</small> <p style="font-size: 1.5em; font-weight: bold;">153020100</p>	<small>REV</small> 
<small>DO NOT SCALE DRAWING</small>		<small>SCALE:</small> 1/2	<small>WEIGHT:</small>
		<small>SHEET:</small> 3 OF 3	