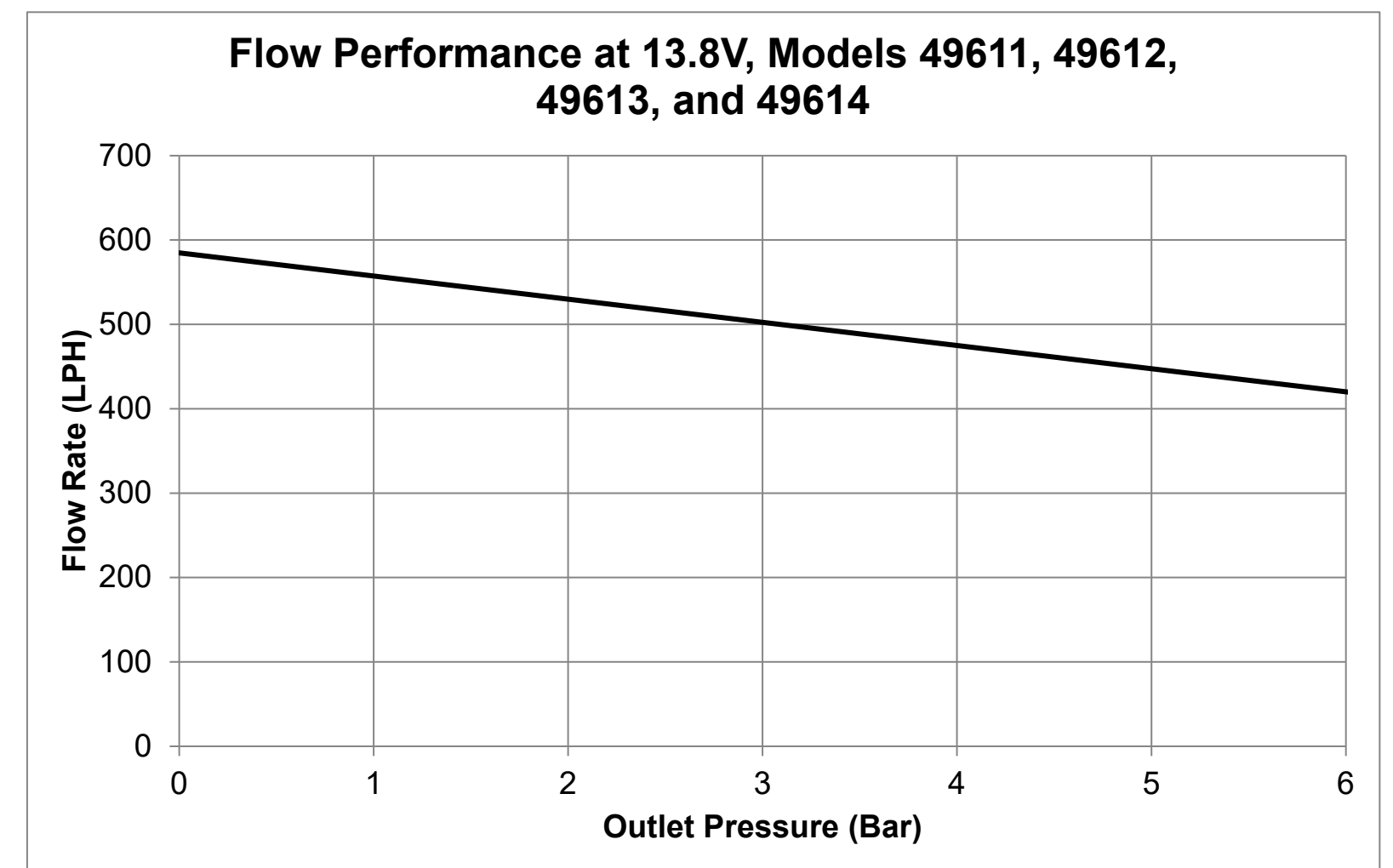
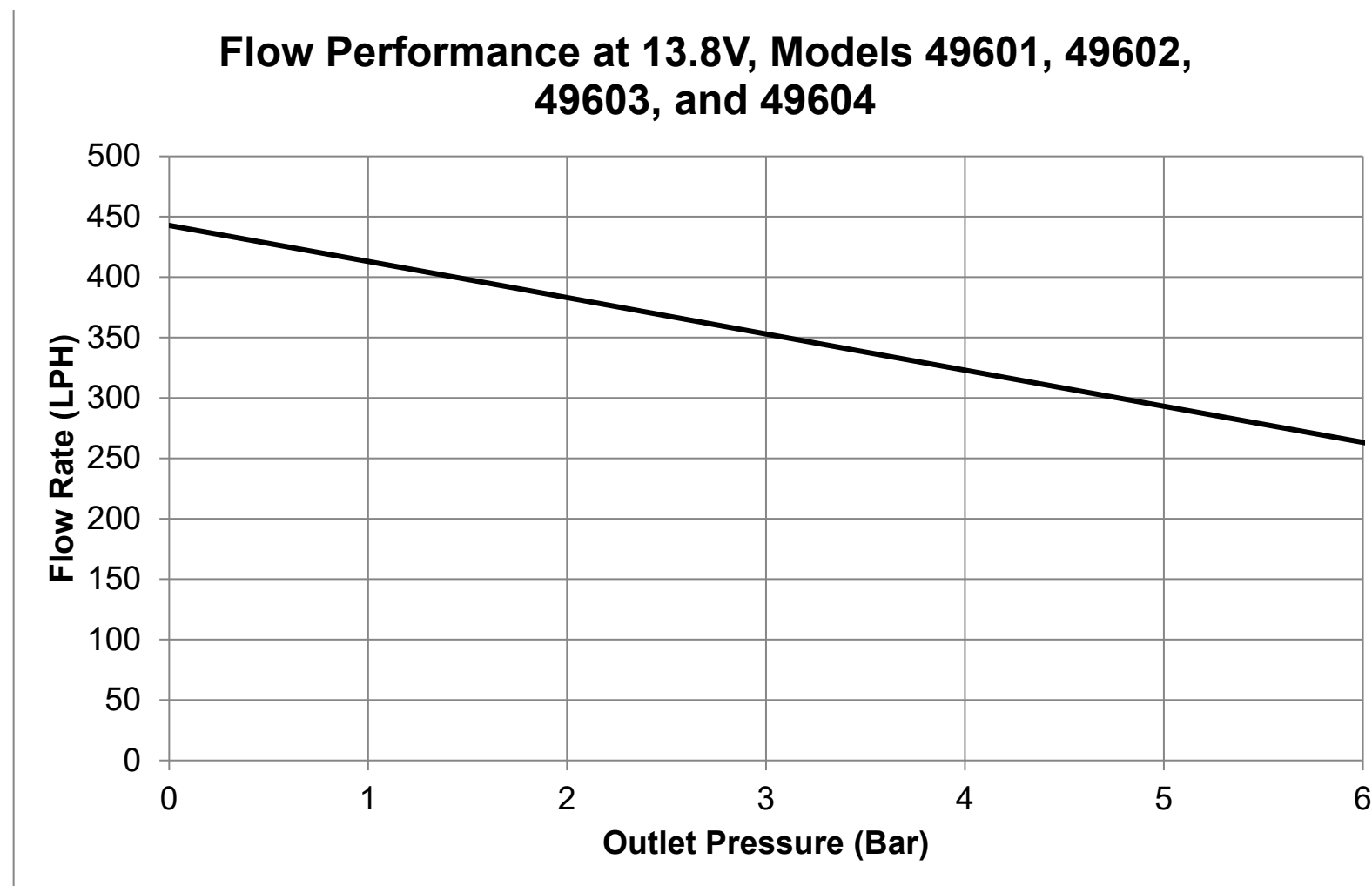


NOTES:

1. THIS DRAWING DESCRIBES THE FUELAB 496xx SERIES IN-TANK DC BRUSHLESS FUEL PUMP.
2. FEATURES INCLUDE:
 - THREE PHASE DC BRUSHLESS MOTOR WITH NEODYMIUM MAGNETS
 - EXTERNAL CONTROLLER (ELECTRONICS) REQUIRED
 - IN-TANK OEM STYLE MOUNTING
 - REGENERATIVE TURBINE PUMPING MECHANISM
 - PACKAGED AS KIT, INCLUDING STRAINING FILTER AND PIGTAIL CONNECTOR
 - REFERENCE 253xx SERIES KIT FOR INCLUSION OF CONTROLLER
3. FUEL COMPATIBILITY INCLUDES:
 - GASOLINE (PUMP OR RACE)
 - METHANOL
 - ETHANOL (INCLUDING E85)
 - DIESEL
4. UNIQUE SERIAL NUMBER DOES NOT CONTAIN DIRECT INFORMATION IN DETERMINING MODEL NUMBER. CONTACT FUELAB FOR DETERMINATION OF MODEL NUMBER BASED ON SERIAL NUMBER.
5. STRAINING FILTER, MATING PIGTAIL ELECTRICAL CONNECTOR, INSTRUCTIONS AND PERFORMANCE CERTIFICATION INCLUDED, BAGGED SERPARATELY FROM PUMP.
6. USE OF EXTERNAL MOTOR CONTROLLER IS REQUIRED USING THREE-WIRE PHASE OUTPUT EMPLOYING NON-SENSOR (SENSORLESS) DRIVE TECHNIQUES. COMPATIBLE WITH 720xx SERIES CONTROLLER.
7. ALL MODEL 496xx SERIES PUMPS REQUIRE BYPASS REGULATOR OR RELIEF VALVE TO AVOID OVER-PRESSURE OPERATING CONDITION (UNLESS BEING USED WITH ELECTRONIC PRESSURE CONTROL).
8. SEE TABLE BELOW FOR DETERMINATION OF DESIRED MODEL NUMBER. MODELS 49604 AND 49614 HAS ADDITIONAL 6mm OUTLET FOR USE WITH JET PUMP (EDUCTOR) SYSTEM. BOTH OUTLETS CONTAIN CHECK VALVE. ALL OTHER PUMPS DO NOT HAVE BUILT IN CHECK VALVES. MODEL 49615 HAS INTEGRATED INLET SIPHON FEATURE TO MATCH OE SYSTEMS THAT USE BRUSHLESS PUMPS SUCH AS BMW, AUDI OR LAMBORGHINI.



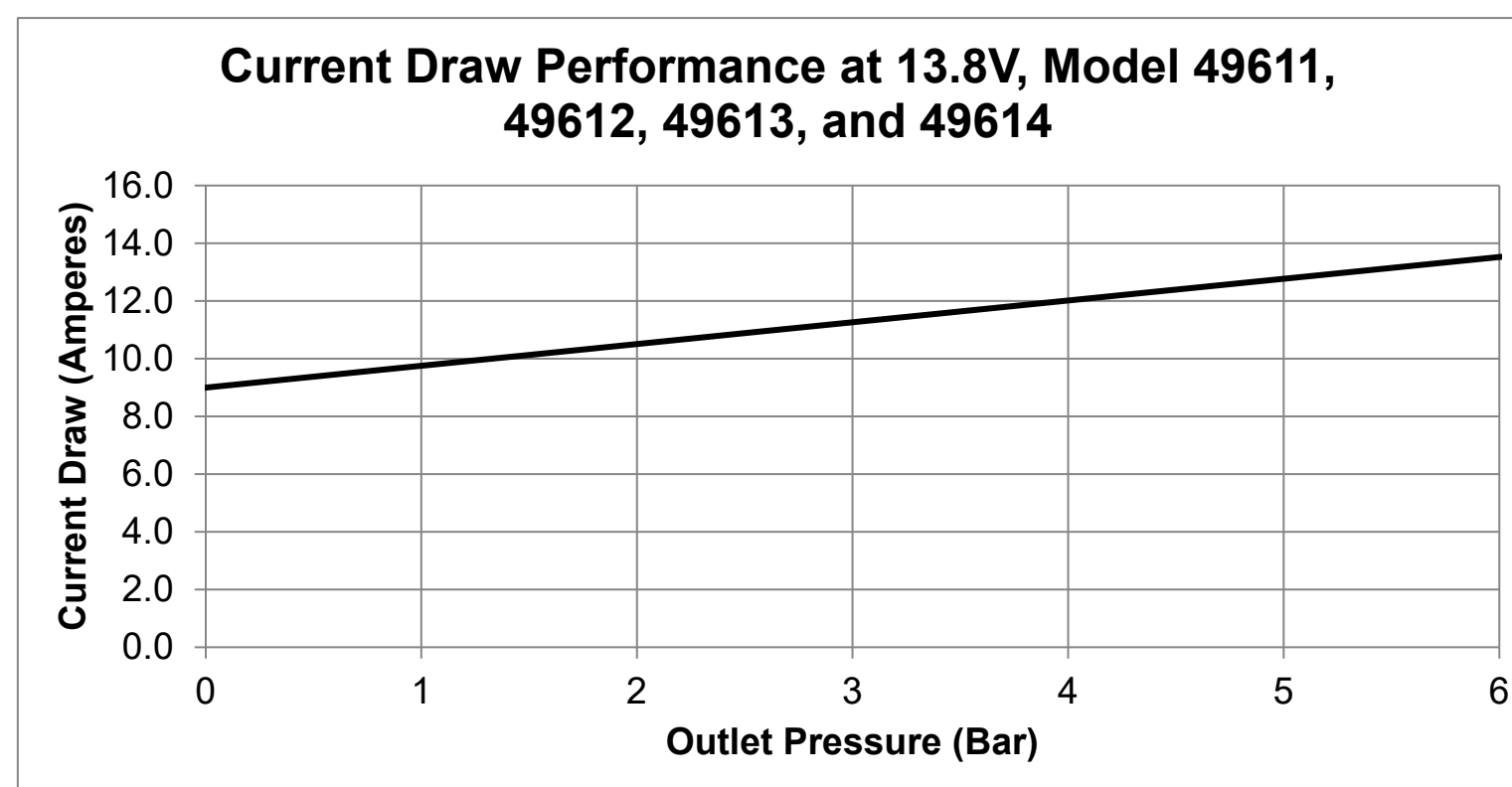
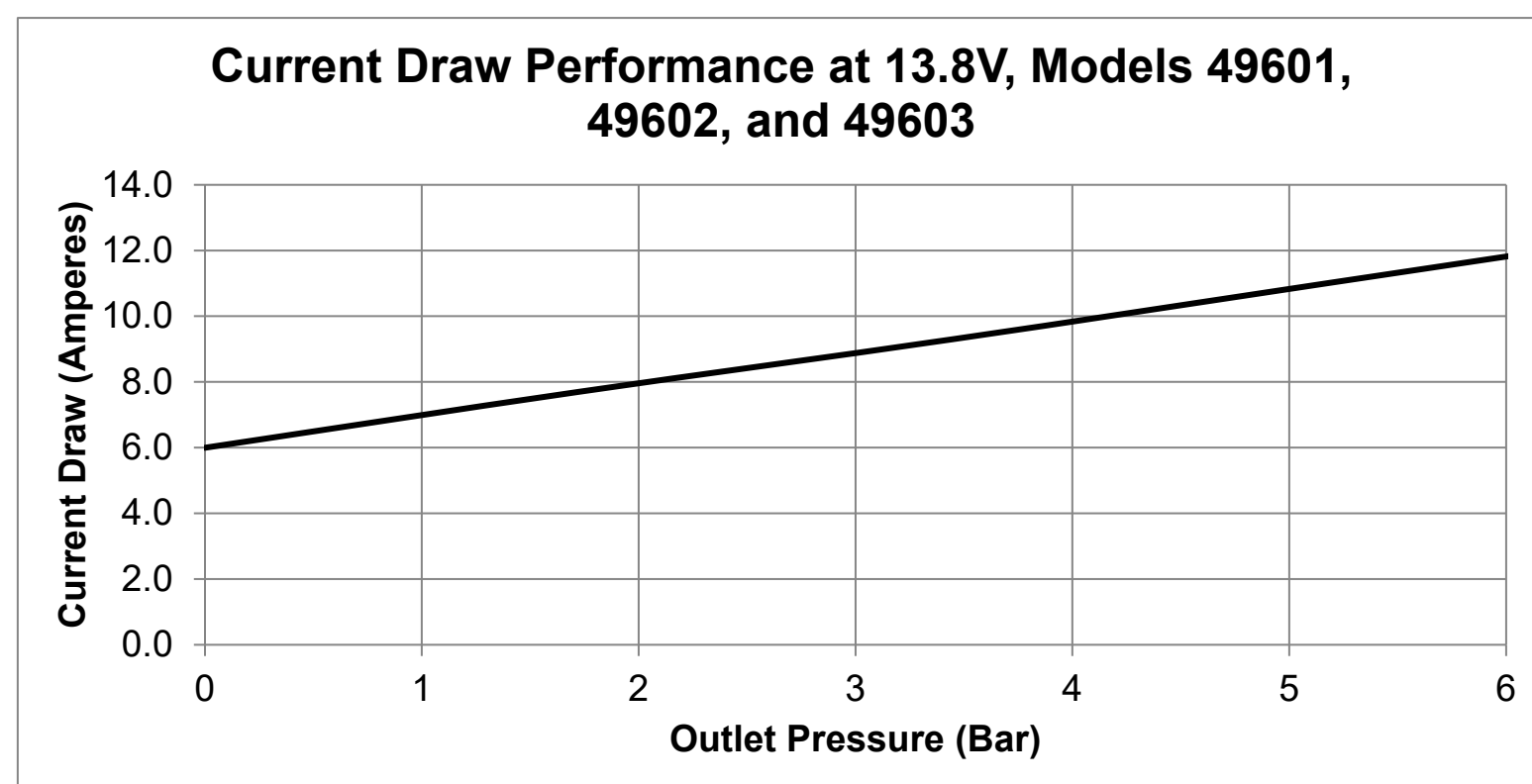
MODEL SELECTION TABLE

MODEL	OUTLET TYPE	FLOW RATING, AT 13.8v	MAX. PRESSURE	SPECIAL FEATURES
49601	-6AN	92 GPH AT 45 PSI (350 LPH AT 3.0 BAR)	125 PSI (8.6 BAR)	
49602	5/16" SAE	92 GPH AT 45 PSI (350 LPH AT 3.0 BAR)	125 PSI (8.6 BAR)	
49603	3/8" SAE	92 GPH AT 45 PSI (350 LPH AT 3.0 BAR)	125 PSI (8.6 BAR)	
49604	9mm BARBED	92 GPH AT 45 PSI (350 LPH AT 3.0 BAR)	125 PSI (8.6 BAR)	AUX 6mm BARB SIPHON
49611	-6AN	132 GPH AT 45 PSI (500 LPH AT 3.0 BAR)	125 PSI (8.6 BAR)	
49612	5/16" SAE	132 GPH AT 45 PSI (500 LPH AT 3.0 BAR)	125 PSI (8.6 BAR)	
49613	3/8" SAE	132 GPH AT 45 PSI (500 LPH AT 3.0 BAR)	125 PSI (8.6 BAR)	
49614	9mm BARBED	132 GPH AT 45 PSI (500 LPH AT 3.0 BAR)	125 PSI (8.6 BAR)	AUX 6mm BARB SIPHON
49615	5/16" SAE	132 GPH AT 45 PSI (500 LPH AT 3.0 BAR)	125 PSI (8.6 BAR)	SIPHON STYLE INLET


8.

8.

8.

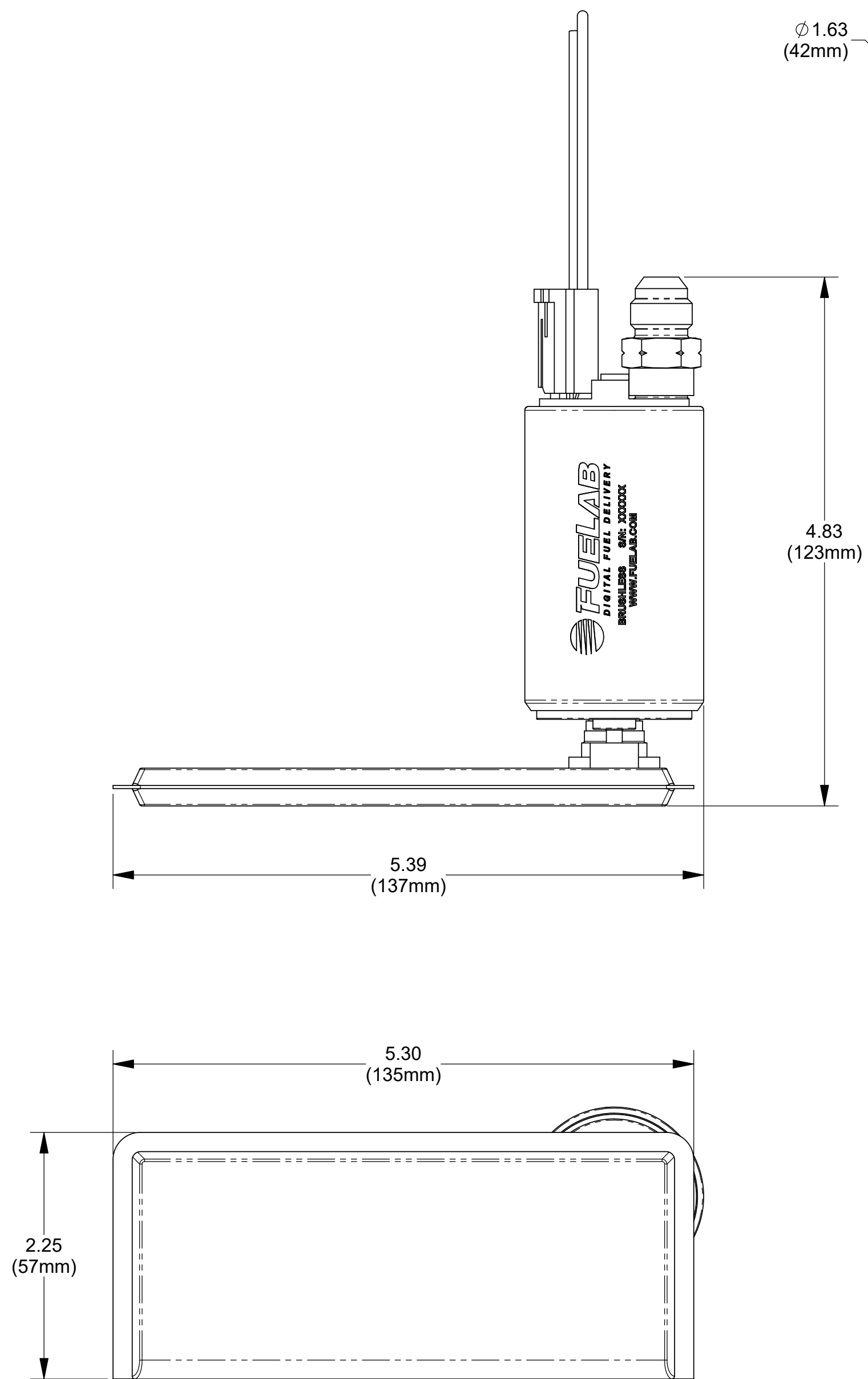


SEE SHEET 7 FOR PERFORMANCE GRAPHS OF MODEL 49615

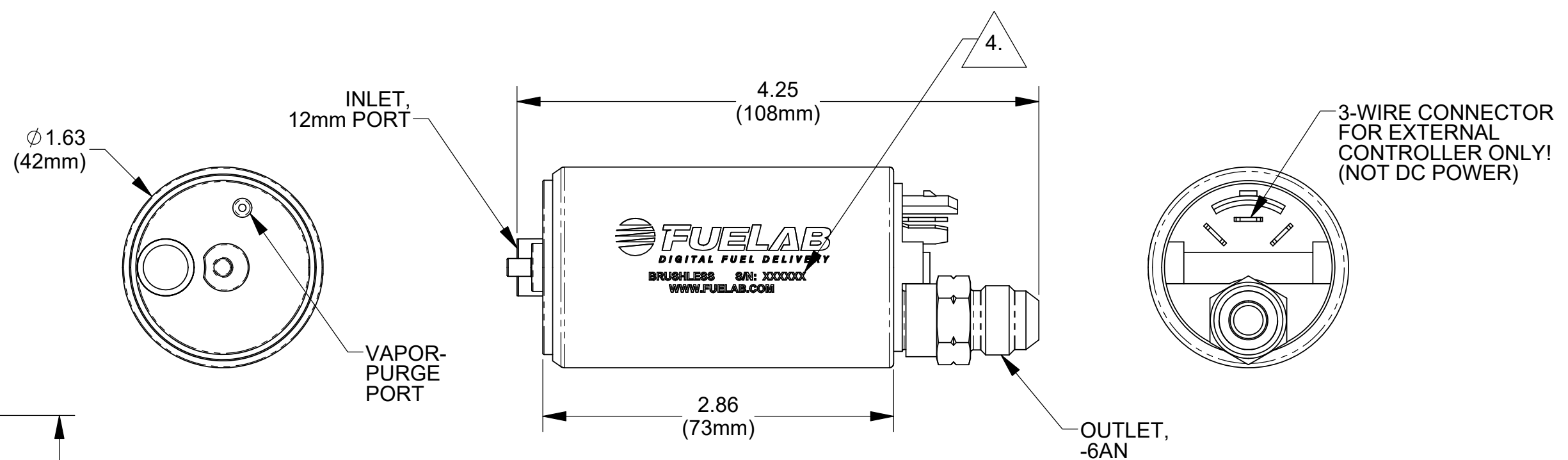
UNLESS OTHERWISE SPECIFIED:		 COLLINSVILLE, ILLINOIS	
INTERPRET DWG PER ANSI Y14.5 DIMENSIONS ARE IN INCHES TOLERANCES: FRACTIONAL: ±1/64" ANGULAR: ±1/2° DECIMALS: X±1 .XX±.03 .XXX±.010 SURFACE FINISH: 128 OR BETTER BREAK ALL SHARP EDGES .010 MAX REMOVE ALL BURRS			
THIRD ANGLE PROJECTION		TITLE: ELECTRONIC FUEL PUMP, 496xx SERIES	
SIZE	DWG. NO.	REV	
C	110021300	B	
SCALE: 1/1	WEIGHT:	SHEET: 1 OF 7	

8 7 6 5 4 3 2 1

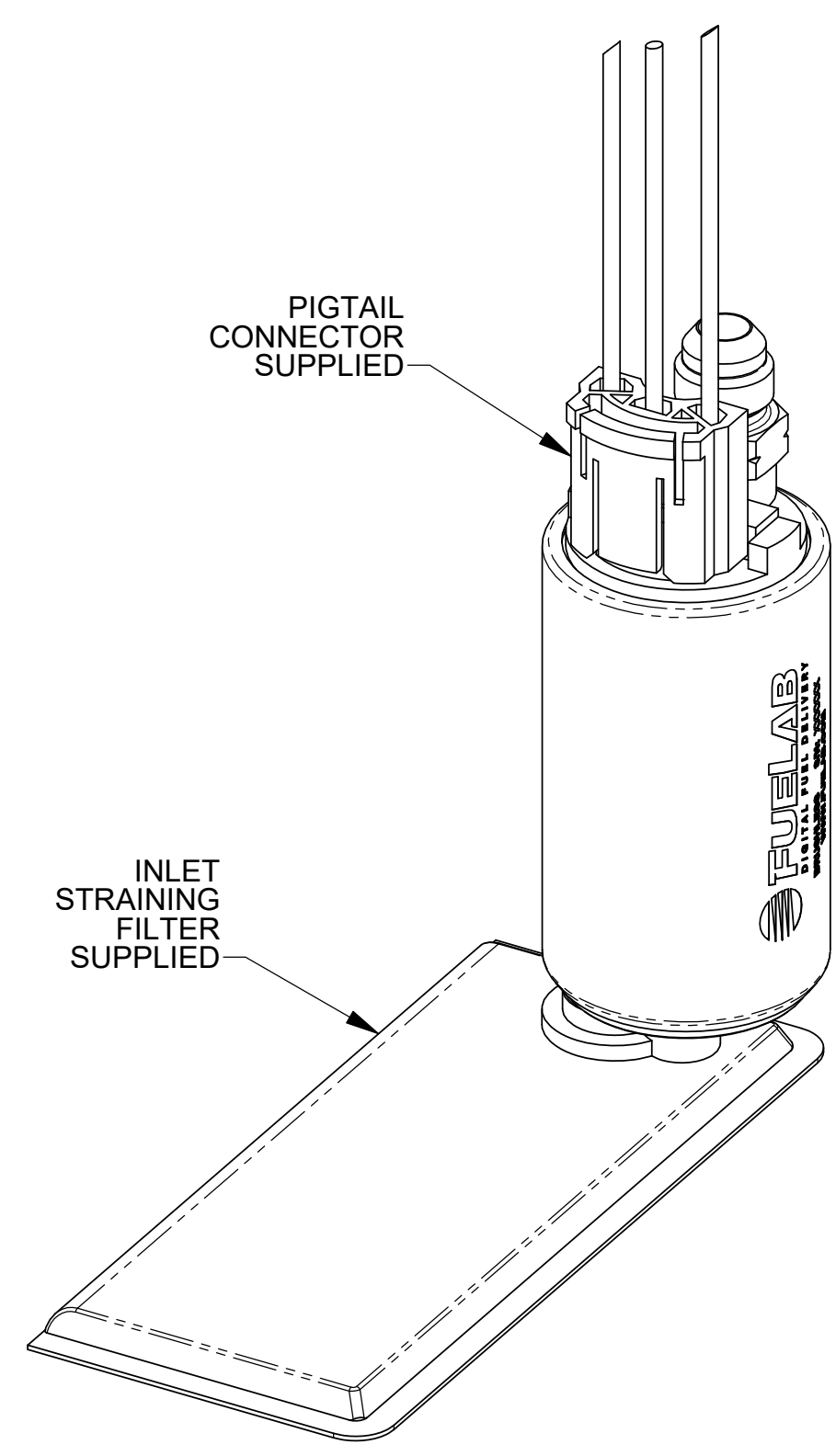
F
E
D
C
B
A



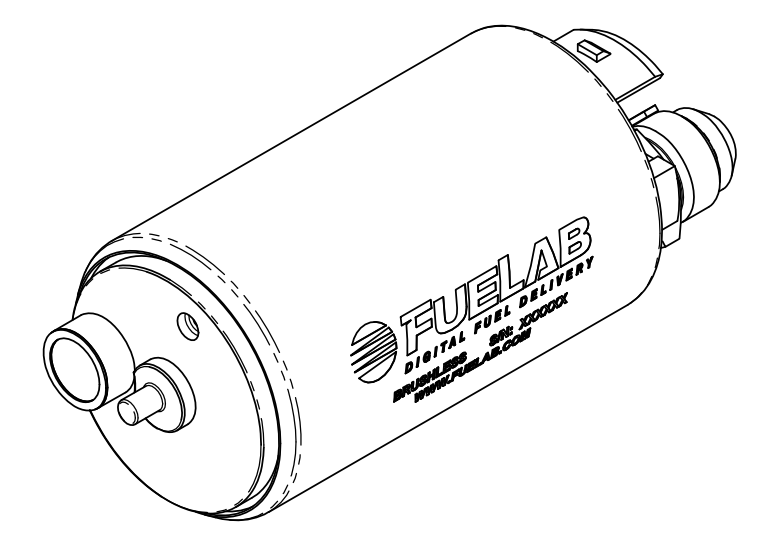
**MODEL 49601 OR 49611 SHOWN ABOVE
(WITH SUPPLIED ACCESORIES)**



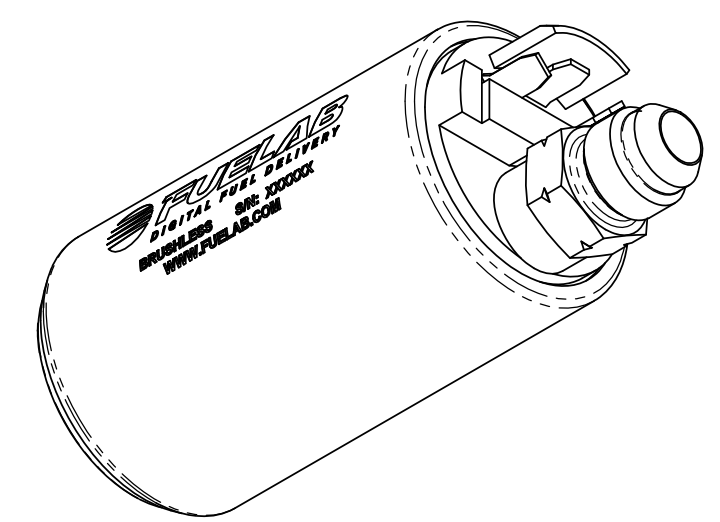
MODEL 49601 OR 49611 SHOWN ABOVE



ISOMETRIC VIEW



**ISOMETRIC VIEW
MODEL 49601 OR 49611**



**ALTERNATE ISOMETRIC VIEW
MODEL 49601 OR 49611**

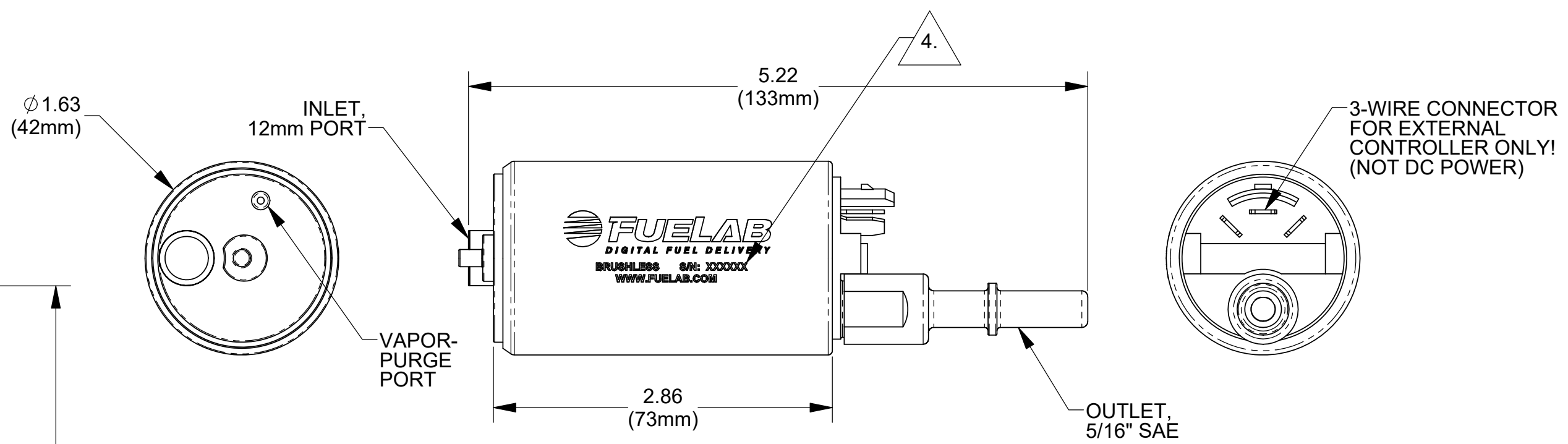
UNLESS OTHERWISE SPECIFIED:		 <small>Collinsville, Illinois</small>	
<small>INTERPRET DWG PER ANSI Y14.5 DIMENSIONS ARE IN INCHES</small>		TITLE: ELECTRONIC FUEL PUMP, 496xx SERIES	
<small>TOLERANCES: FRACTIONAL: ±1/64" ANGULAR: ±1/2° DECIMALS: X±1 .XX±.03 .XXX±.010</small>		<small>128</small> <small>SURFACE FINISH</small> ✓ OR BETTER <small>BREAK ALL SHARP EDGES .010 MAX REMOVE ALL BURRS</small>	
<small>THIRD ANGLE PROJECTION</small>	SIZE DWG. NO. C 110021300	REV B	<small>SCALE: 1/1</small> <small>WEIGHT:</small> <small>SHEET: 2 OF 7</small>

8 7 6 5 4 3 2 1

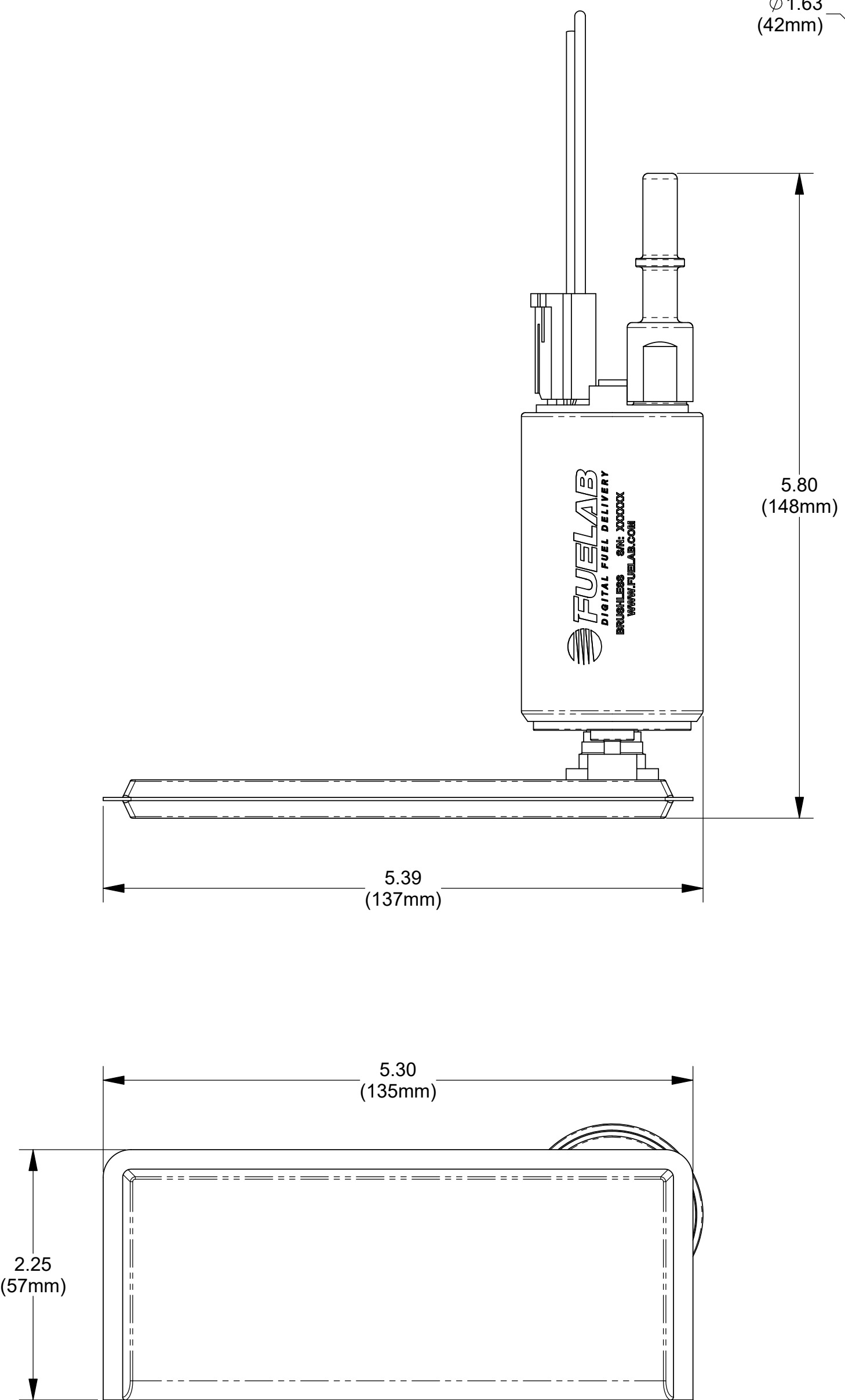
8 7 6 5 4 3 2 1

F
E
D
C
B
A

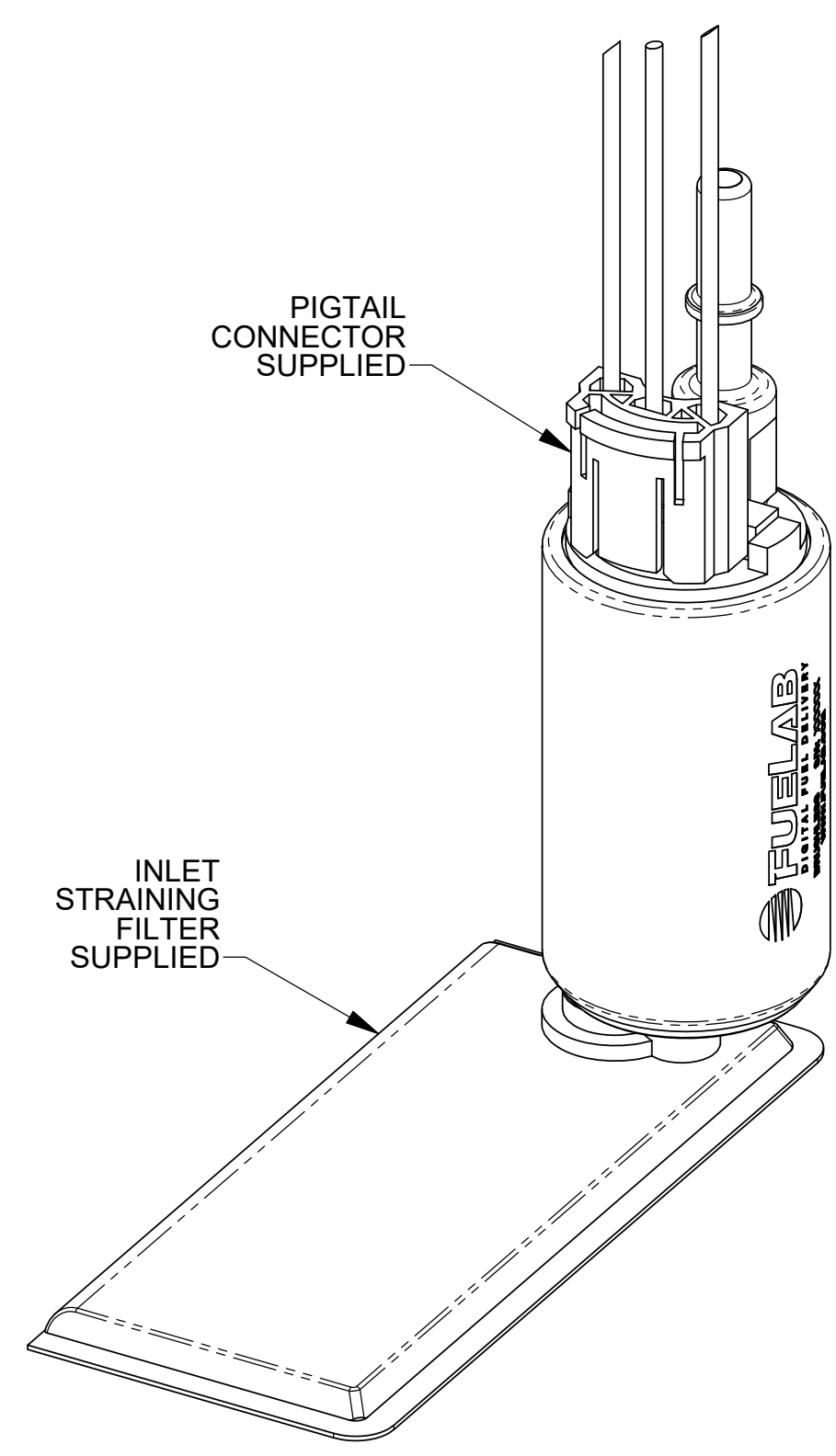
F
E
D
C
B
A



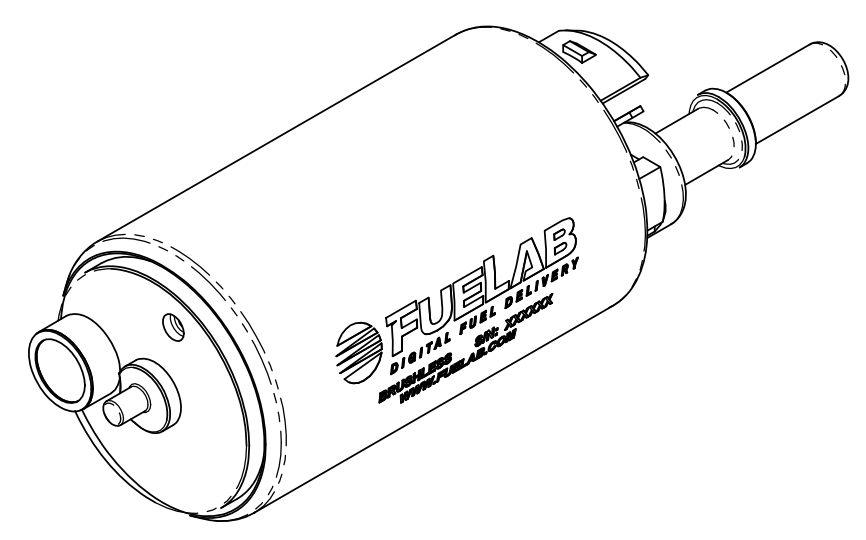
MODEL 49602 OR 49612 SHOWN ABOVE



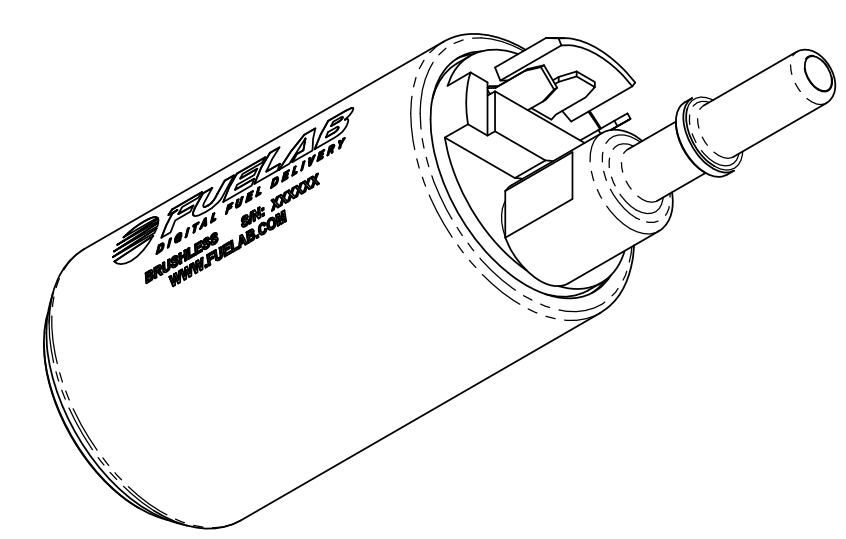
MODEL 49602 OR 49612 SHOWN ABOVE
(WITH SUPPLIED ACCESORIES)



ISOMETRIC VIEW



ISOMETRIC VIEW
MODEL 49602 OR 49612



ALTERNATE ISOMETRIC VIEW
MODEL 49602 OR 49612

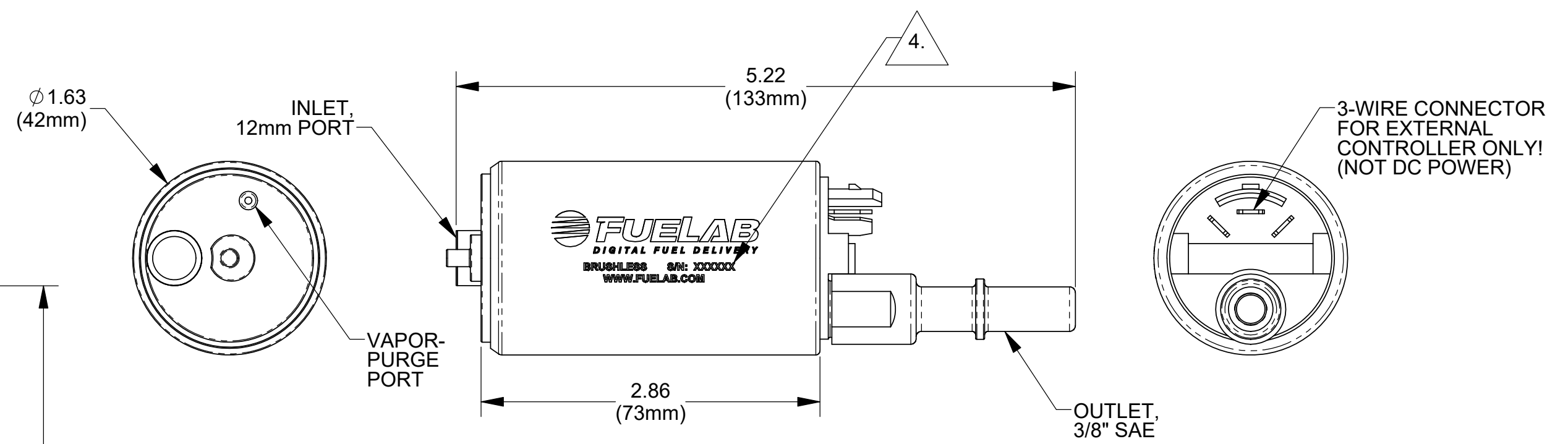
UNLESS OTHERWISE SPECIFIED:		FUELAB DIGITAL FUEL DELIVERY Collinsville, Illinois	
INTERPRET DWG PER ANSI Y14.5 DIMENSIONS ARE IN INCHES		TITLE: ELECTRONIC FUEL PUMP, 496xx SERIES	
TOLERANCES: FRACTIONAL: ±1/64" ANGULAR: ±1/2° DECIMALS: X±1 .XX±.03 .XXX±.010		SIZE C	DWG. NO. 110021300
SURFACE FINISH: 128 ✓ OR BETTER		REV B	SCALE: 1/1
BREAK ALL SHARP EDGES .010 MAX. REMOVE ALL BURRS		WEIGHT:	SHEET: 3 OF 7
THIRD ANGLE PROJECTION		DO NOT SCALE DRAWING	

8 7 6 5 4 3 2 1

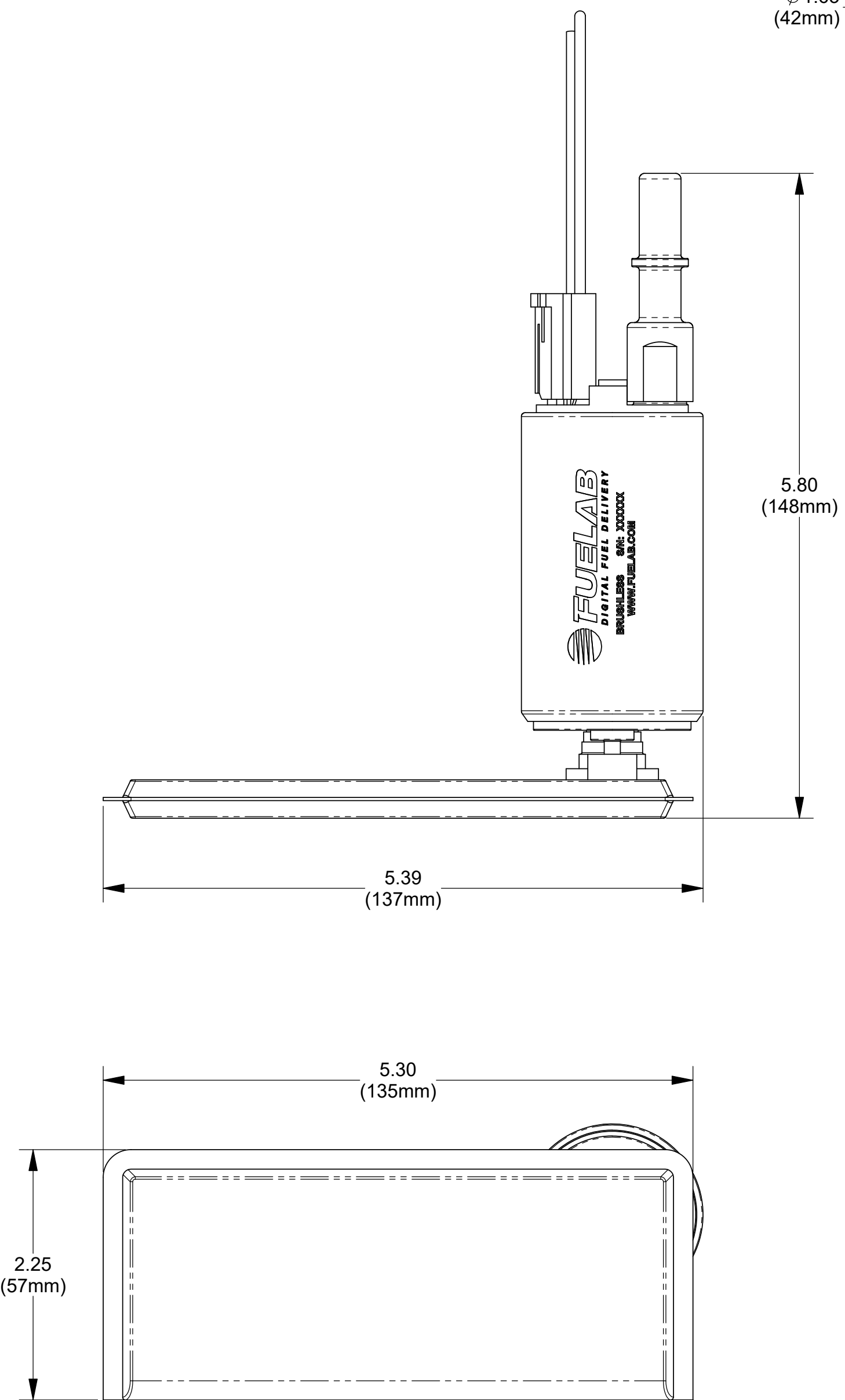
8 7 6 5 4 3 2 1

F
E
D
C
B
A

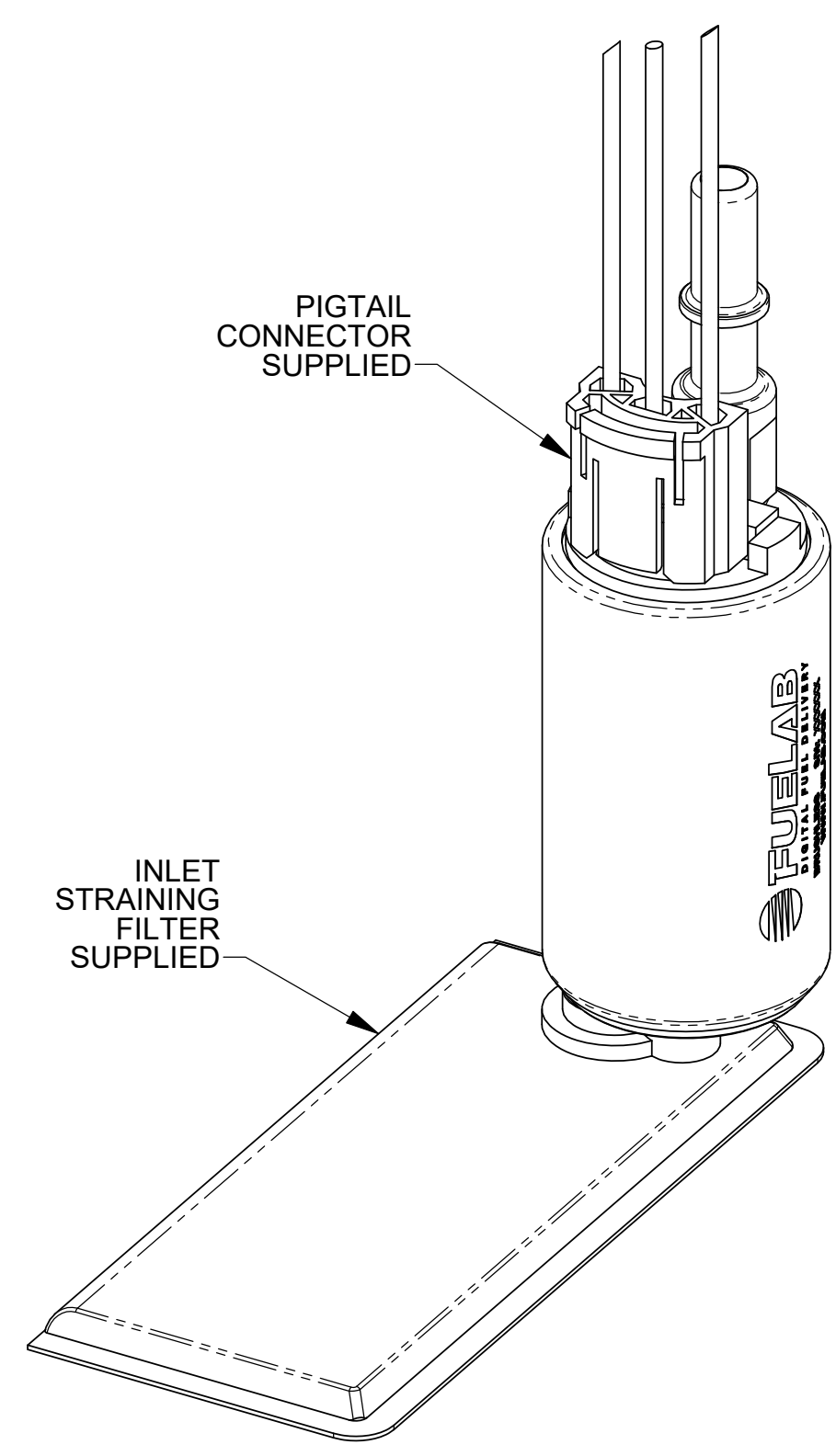
F
E
D
C
B
A



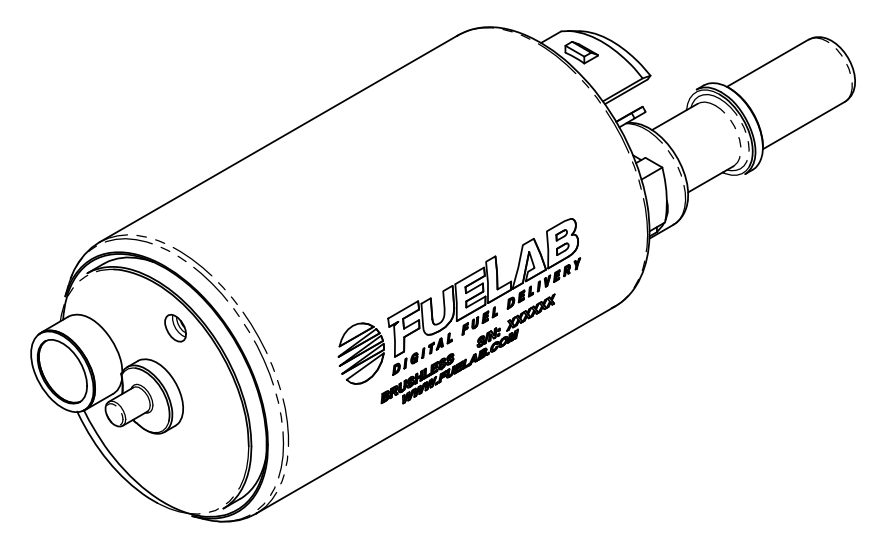
MODEL 49603 OR 49613 SHOWN ABOVE



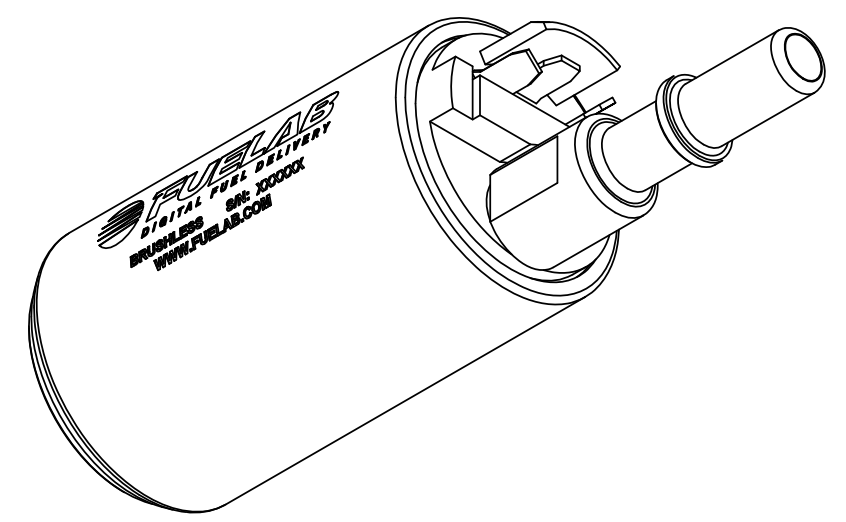
MODEL 49603 OR 49613 SHOWN ABOVE (WITH SUPPLIED ACCESORIES)




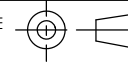
ISOMETRIC VIEW



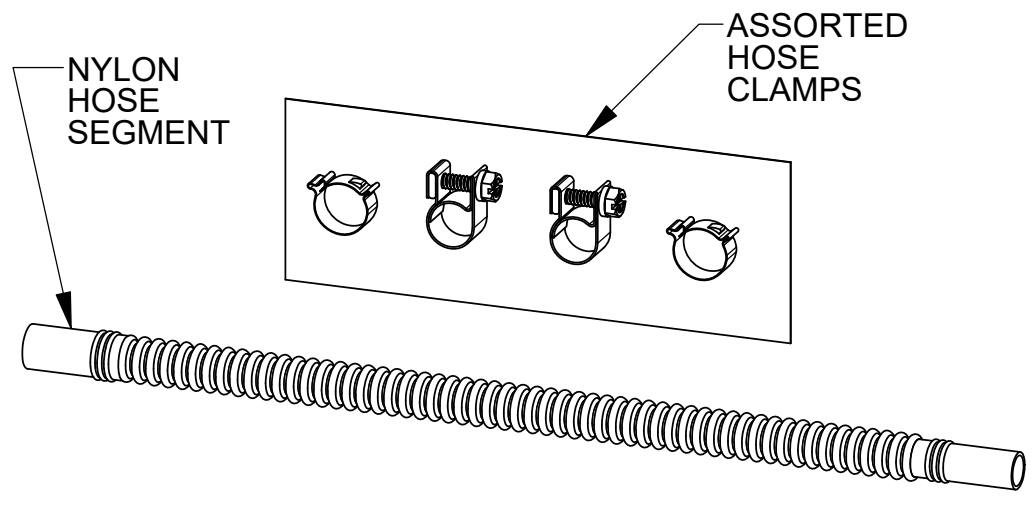
ISOMETRIC VIEW MODEL 49603 OR 49613



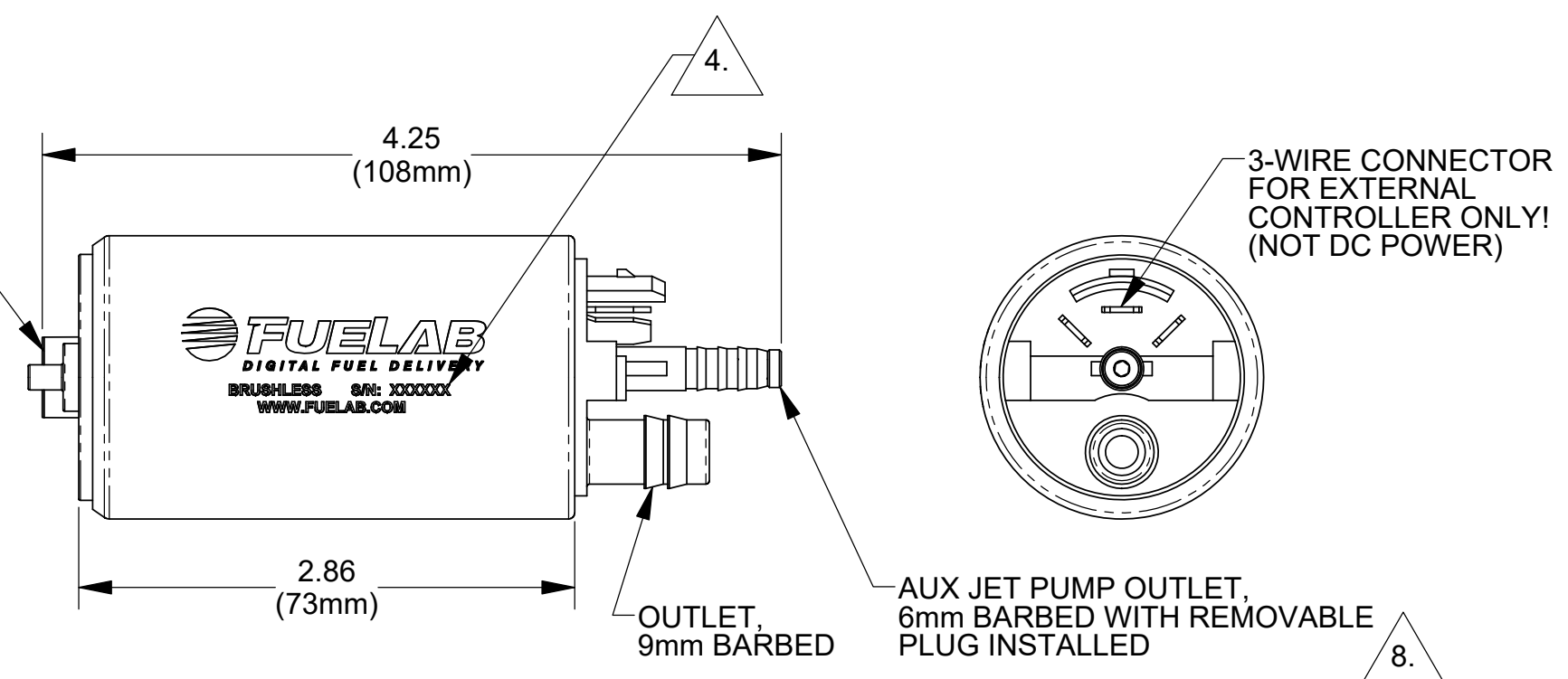
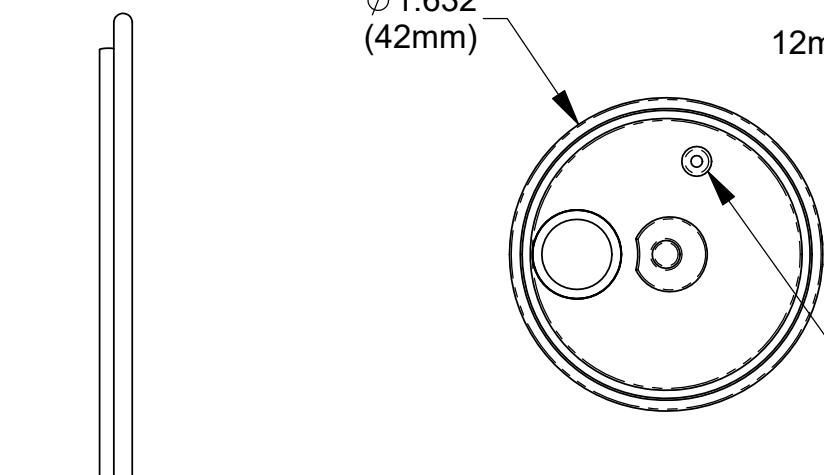
ALTERNATE ISOMETRIC VIEW MODEL 49603 OR 49613

UNLESS OTHERWISE SPECIFIED:		 COLLINSVILLE, ILLINOIS	
INTERPRET DWG PER ANSI Y14.5 DIMENSIONS ARE IN INCHES TOLERANCES: FRACTIONAL: $\pm 1/64$ " ANGULAR: $\pm 1/2^\circ$ DECIMALS: X ± 1 .XX ± 0.03 .XXX ± 0.010 SURFACE FINISH $\sqrt{\quad}$ 128 OR BETTER BREAK ALL SHARP EDGES .010 MAX. REMOVE ALL BURRS		TITLE: ELECTRONIC FUEL PUMP, 496xx SERIES	
THIRD ANGLE PROJECTION 	SIZE C	DWG. NO. 110021300	REV B
DO NOT SCALE DRAWING		SCALE: 1/1	WEIGHT: SHEET: 4 OF 7

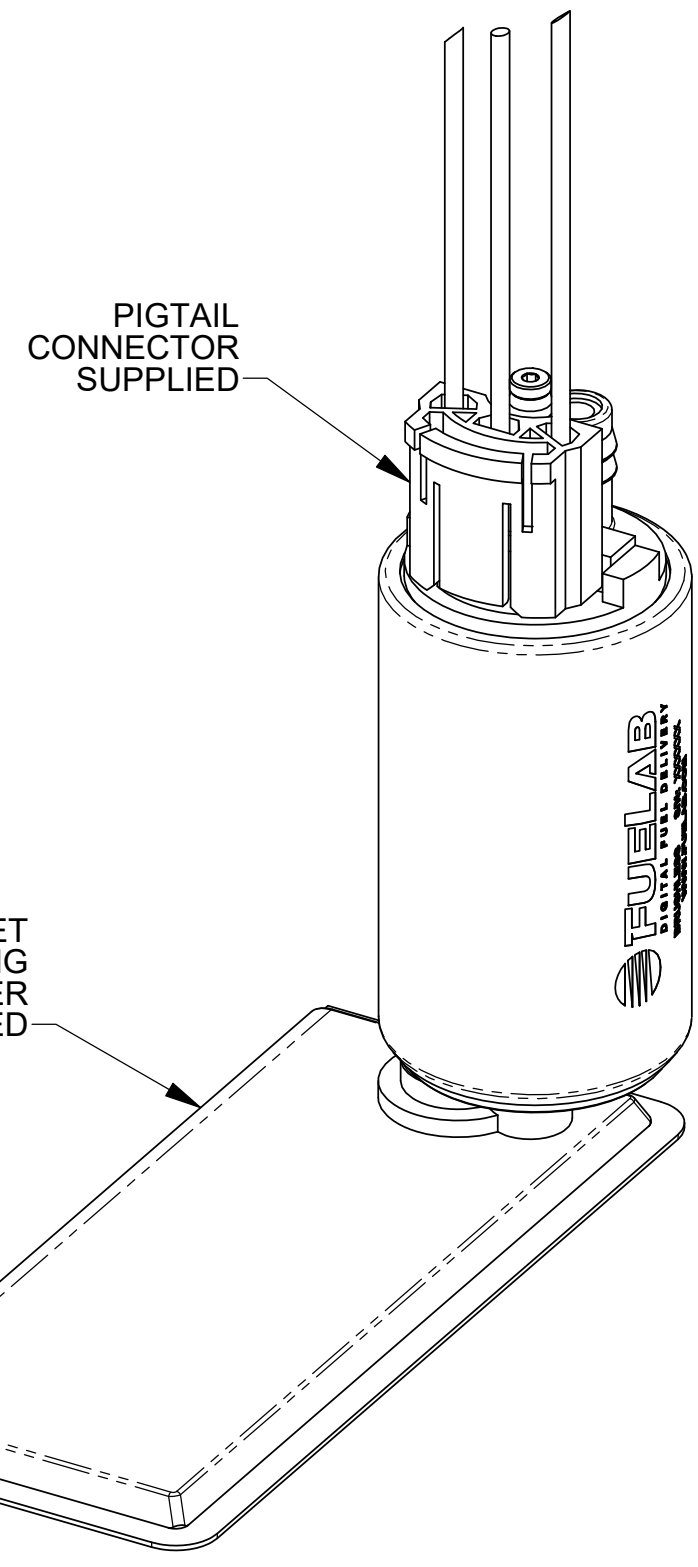
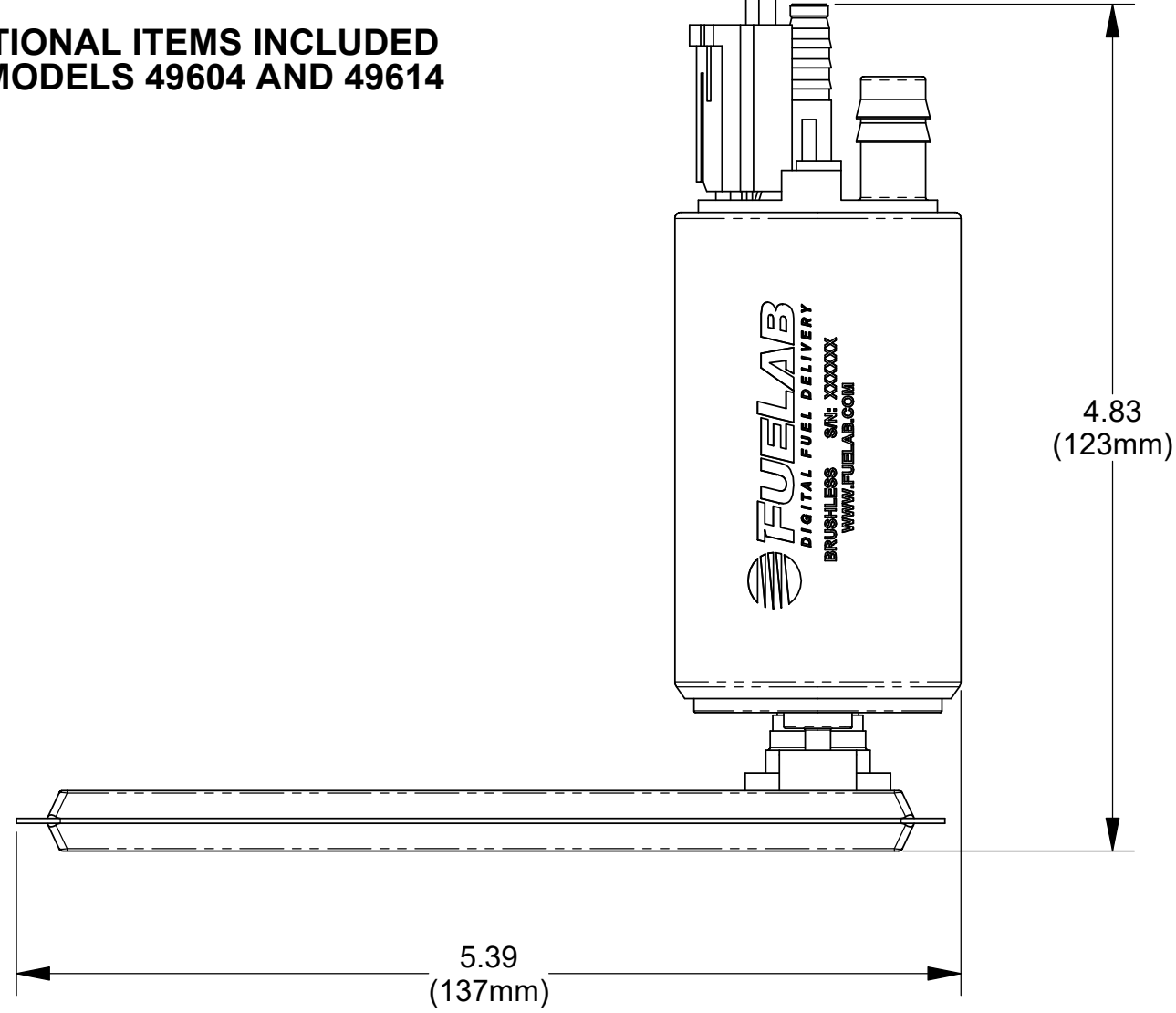
8 7 6 5 4 3 2 1



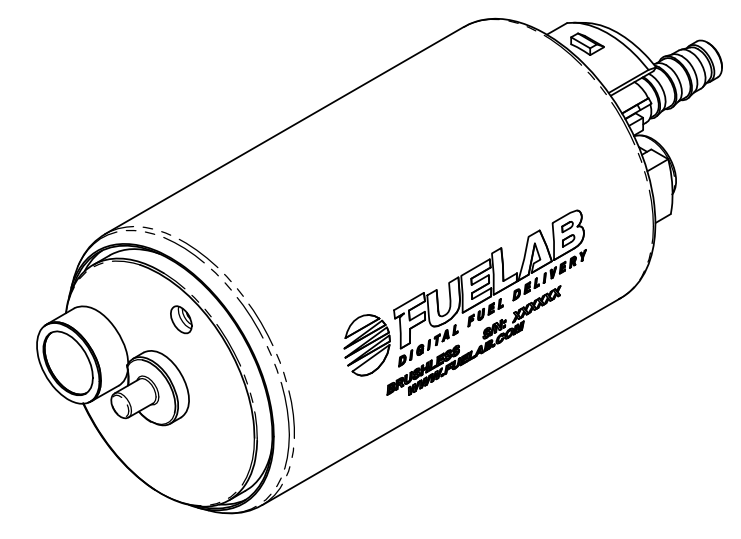
ADDITIONAL ITEMS INCLUDED FOR MODELS 49604 AND 49614



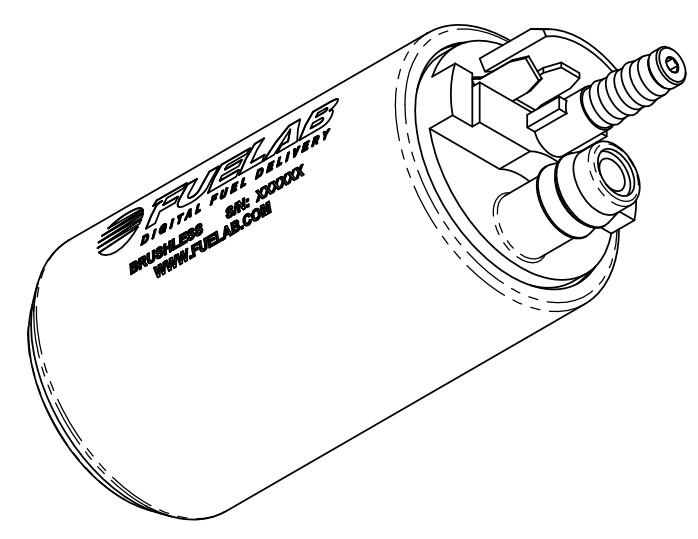
MODEL 49604 OR 49614 SHOWN ABOVE



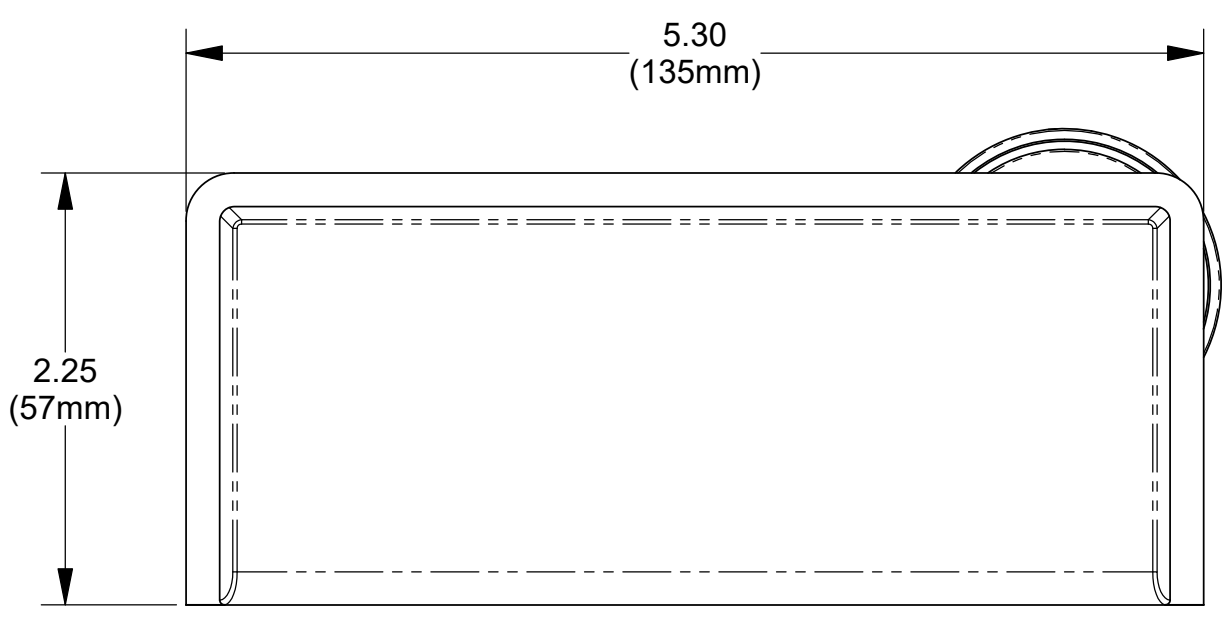
ISOMETRIC VIEW



ISOMETRIC VIEW MODEL 49604 OR 49614

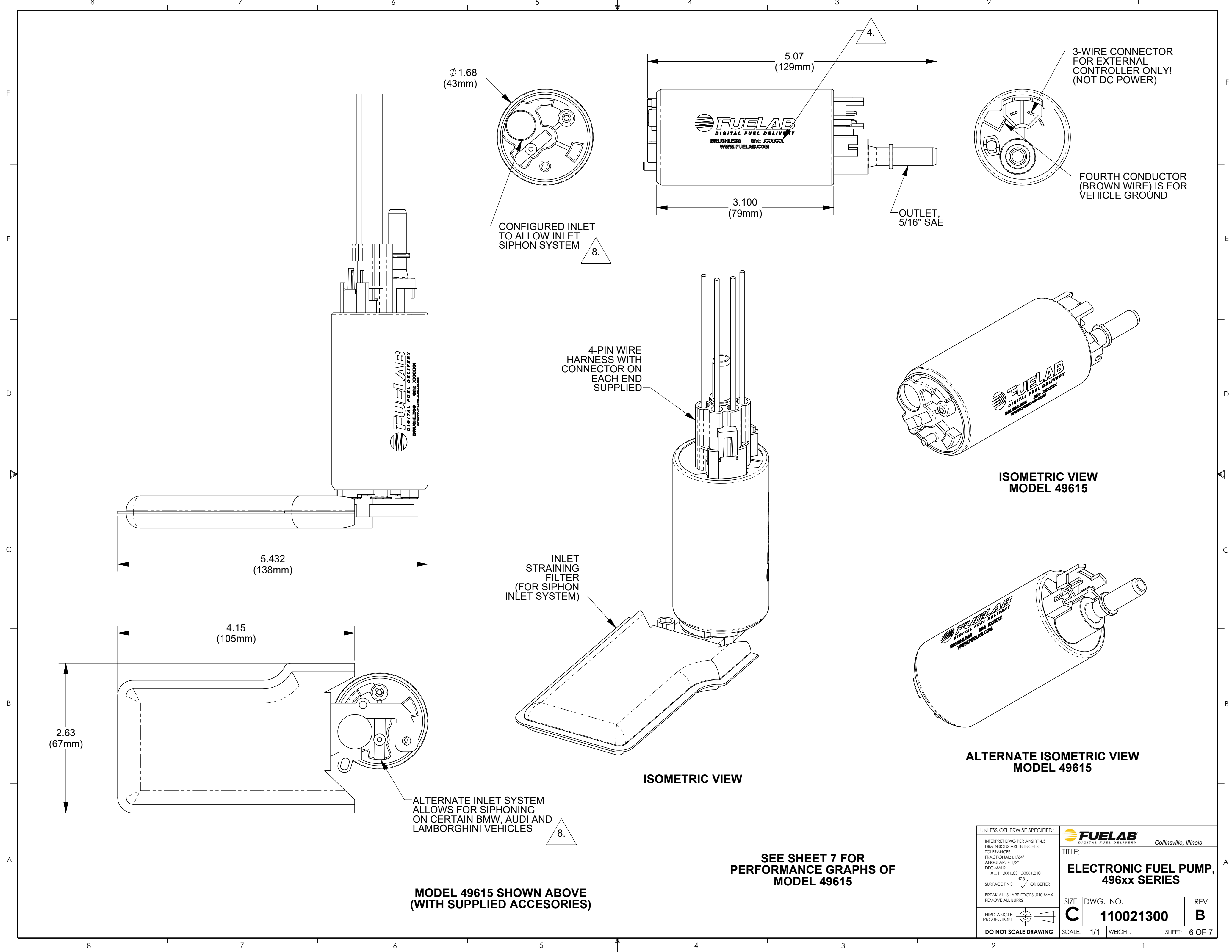


ALTERNATE ISOMETRIC VIEW MODEL 49604 OR 49614



MODEL 49604 OR 49614 SHOWN ABOVE (WITH SUPPLIED ACCESSORIES)

UNLESS OTHERWISE SPECIFIED:		FUELAB DIGITAL FUEL DELIVERY Collinsville, Illinois	
INTERPRET DWG PER ANSI Y14.5 DIMENSIONS ARE IN INCHES			
TOLERANCES: FRACTIONAL: ±1/64" ANGULAR: ±1/2° DECIMALS: X±1 .XX±.03 .XXX±.010 128 OR BETTER			
SURFACE FINISH ✓ BREAK ALL SHARP EDGES .010 MAX REMOVE ALL BURRS			
THIRD ANGLE PROJECTION	TITLE: ELECTRONIC FUEL PUMP, 496xx SERIES		REV B
DO NOT SCALE DRAWING	SIZE C	DWG. NO. 110021300	SCALE: 1/1 WEIGHT: SHEET: 5 OF 7



Ø 1.68
(43mm)

5.07
(129mm)

3.100
(79mm)

OUTLET,
5/16" SAE

3-WIRE CONNECTOR
FOR EXTERNAL
CONTROLLER ONLY!
(NOT DC POWER)

FOURTH CONDUCTOR
(BROWN WIRE) IS FOR
VEHICLE GROUND

CONFIGURED INLET
TO ALLOW INLET
SIPHON SYSTEM

4-PIN WIRE
HARNESS WITH
CONNECTOR ON
EACH END
SUPPLIED

INLET
STRAINING
FILTER
(FOR SIPHON
INLET SYSTEM)

**ISOMETRIC VIEW
MODEL 49615**

**ALTERNATE ISOMETRIC VIEW
MODEL 49615**

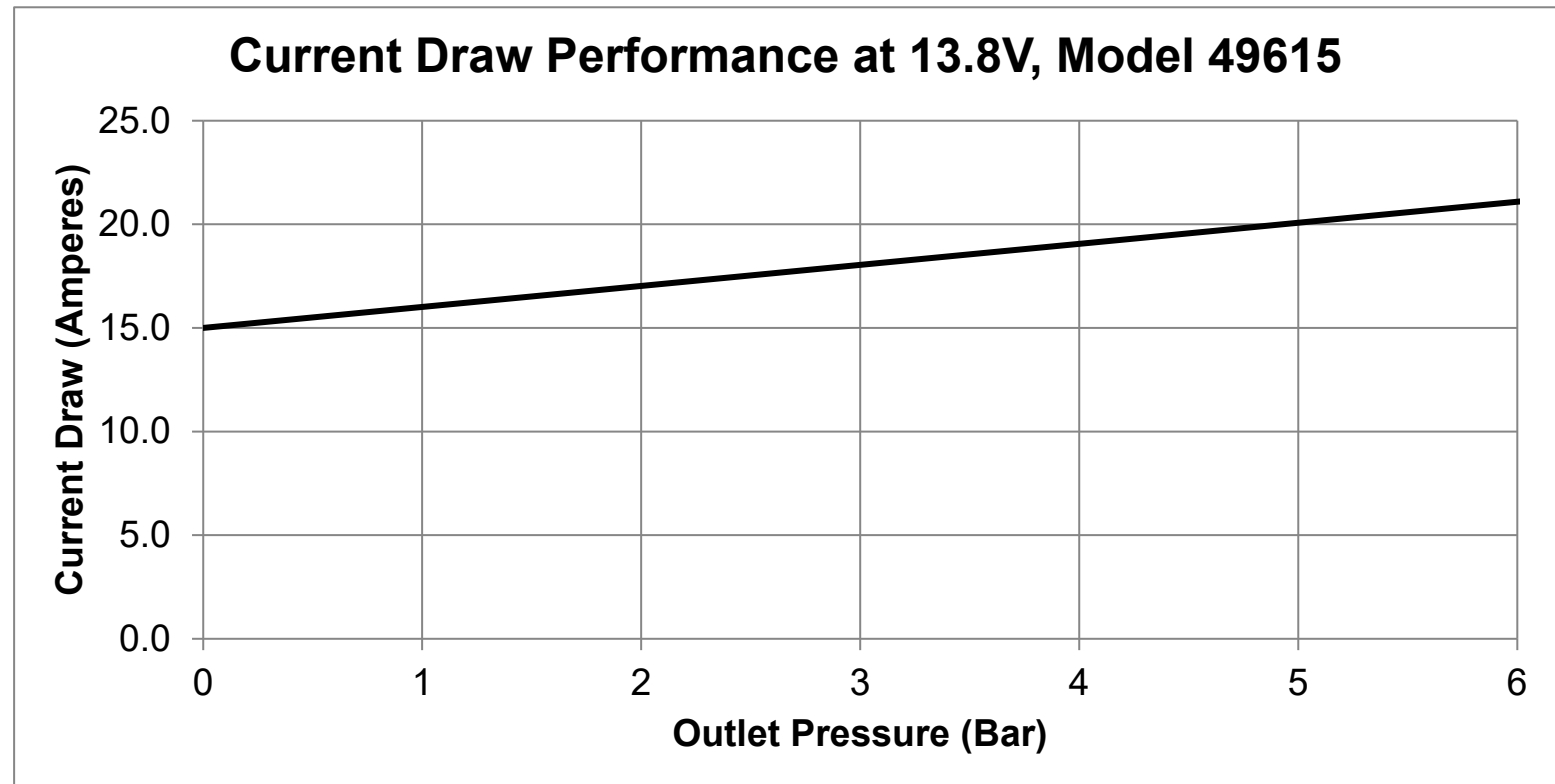
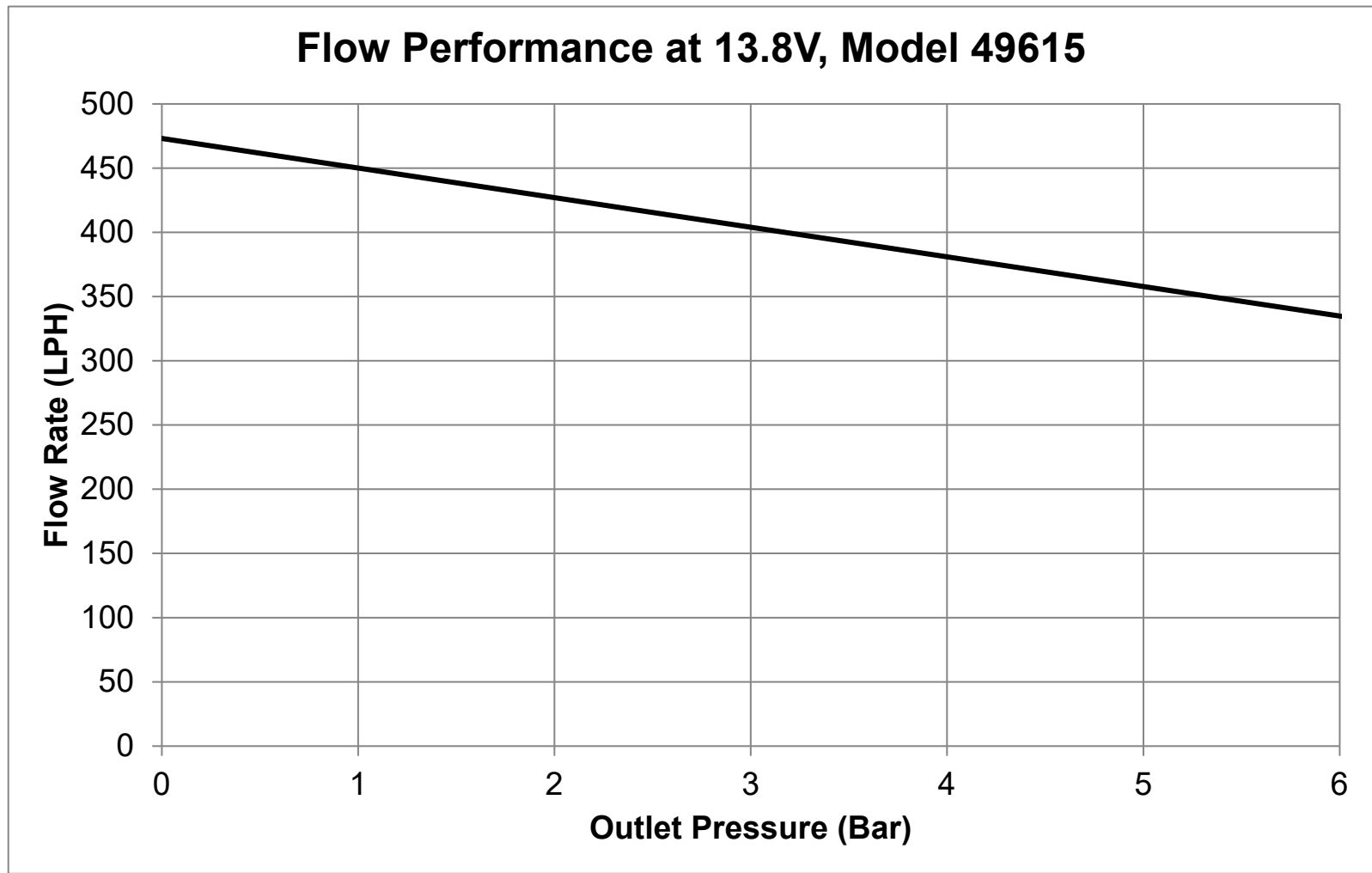
ISOMETRIC VIEW

ALTERNATE INLET SYSTEM
ALLOWS FOR SIPHONING
ON CERTAIN BMW, AUDI AND
LAMBORGHINI VEHICLES

**SEE SHEET 7 FOR
PERFORMANCE GRAPHS OF
MODEL 49615**

**MODEL 49615 SHOWN ABOVE
(WITH SUPPLIED ACCESORIES)**

UNLESS OTHERWISE SPECIFIED:		FUELAB DIGITAL FUEL DELIVERY Collinsville, Illinois	
INTERPRET DWG PER ANSI Y14.5 DIMENSIONS ARE IN INCHES		TITLE: ELECTRONIC FUEL PUMP, 496xx SERIES	
TOLERANCES: FRACTIONAL: ±1/64" ANGULAR: ±1/2°		SIZE C	DWG. NO. 110021300
DECIMALS: X±1 .XX±.03 .XXX±.010		REV B	SCALE: 1/1
SURFACE FINISH 128 ✓ OR BETTER		WEIGHT:	SHEET: 6 OF 7
BREAK ALL SHARP EDGES .010 MAX REMOVE ALL BURRS		DO NOT SCALE DRAWING	
THIRD ANGLE PROJECTION			



UNLESS OTHERWISE SPECIFIED: INTERPRET DWG PER ANSI Y14.5 DIMENSIONS ARE IN INCHES TOLERANCES: FRACTIONAL: ±1/64" ANGULAR: ±1/2° DECIMALS: X±1 .XX±.03 .XXX±.010 SURFACE FINISH 128 ✓ OR BETTER BREAK ALL SHARP EDGES .010 MAX. REMOVE ALL BURRS		FUELAB <small>DIGITAL FUEL DELIVERY</small> Collinsville, Illinois		
TITLE: <h2 style="margin: 0;">ELECTRONIC FUEL PUMP, 496xx SERIES</h2>				
SIZE <h1 style="margin: 0;">C</h1>	DWG. NO. <h1 style="margin: 0;">110021300</h1>	REV <h1 style="margin: 0;">B</h1>		
DO NOT SCALE DRAWING		SCALE: 1/1	WEIGHT:	SHEET: 7 OF 7