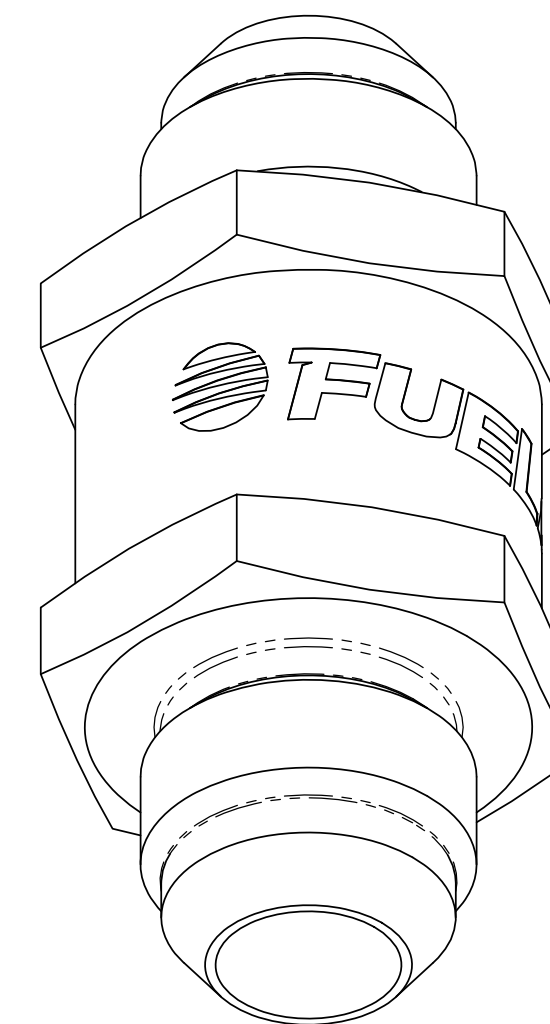
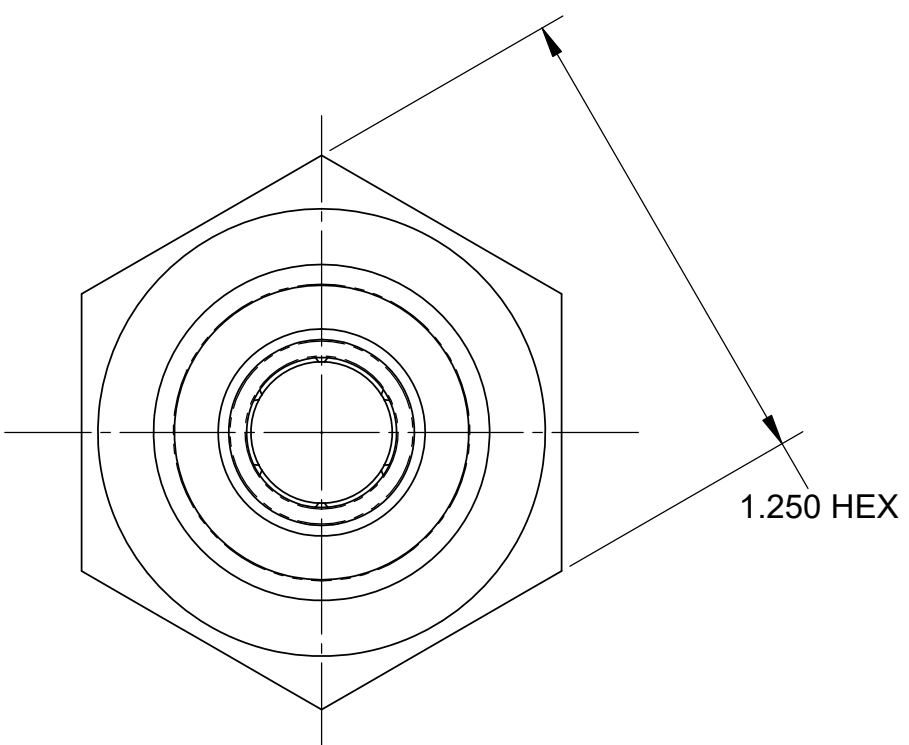


NOTES:

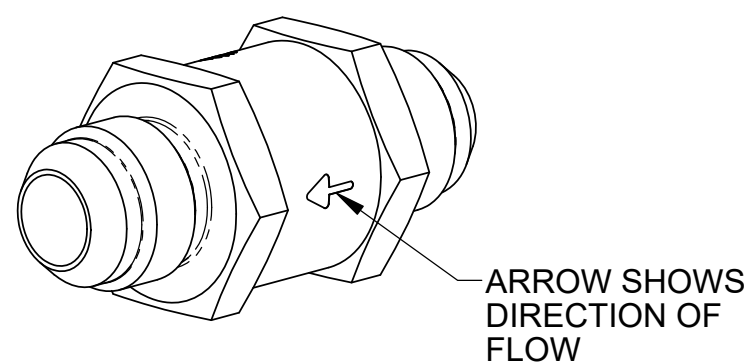
- THIS DRAWING DESCRIBES THE FUELAB 71702, 71703 AND 71704 FUEL CHECK VALVES.
- FEATURES INCLUDE:
 - FLOW CAPACITY: 350 GPH
 - MAXIMUM PRESSURE: 200 PSIG
 - 11/16" POPPET
 - BILLET ALUMINUM CONSTRUCTION
 - FLUOROSILICONE SEAT AND SEALS
 - REBUILDABLE CONSTRUCTION
- FUEL COMPATIBILITY INCLUDES:
 - GASOLINE (PUMP OR RACE)
 - METHANOL
 - ETHANOL
 - DIESEL

MODEL SELECTION TABLE

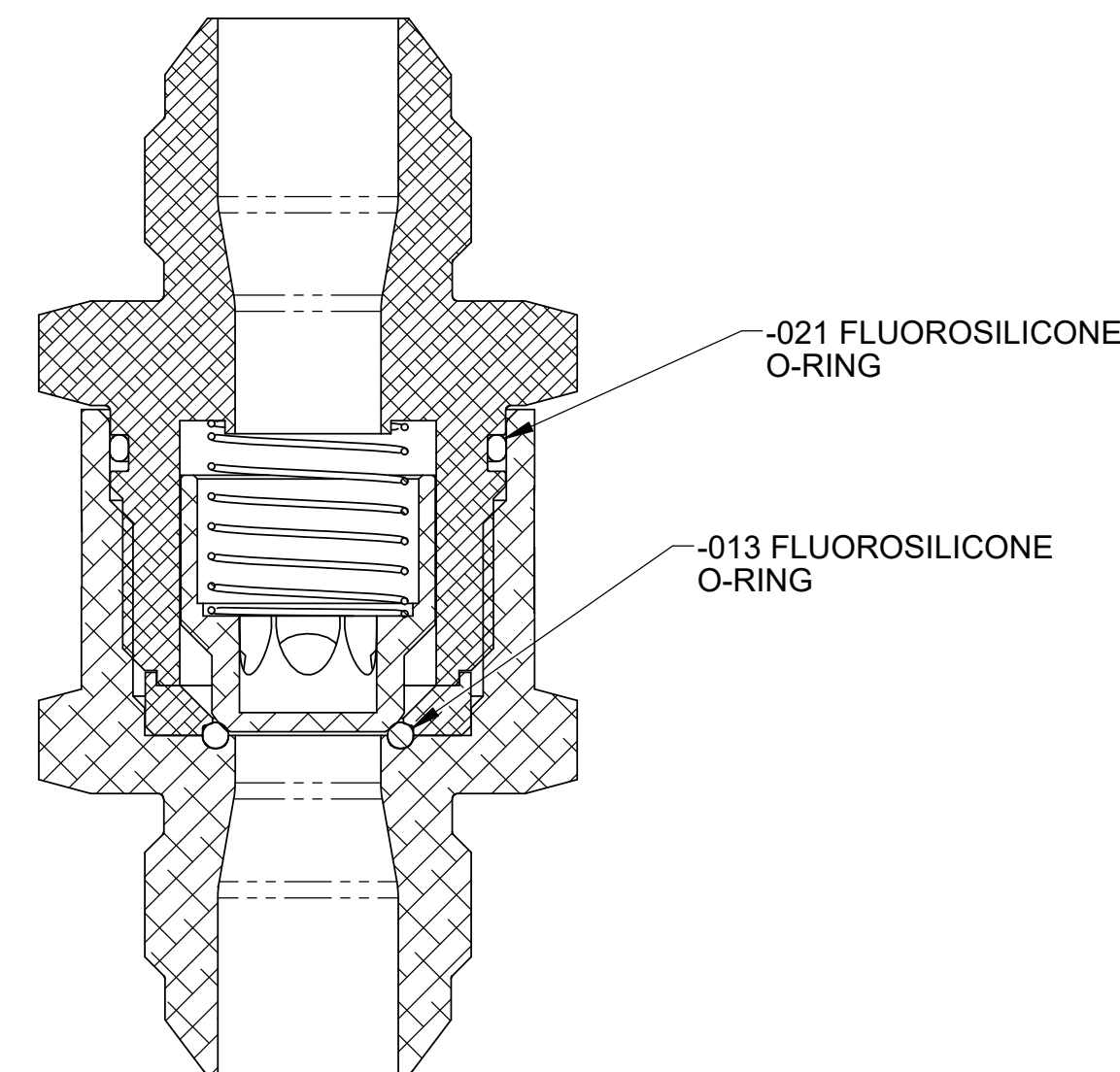
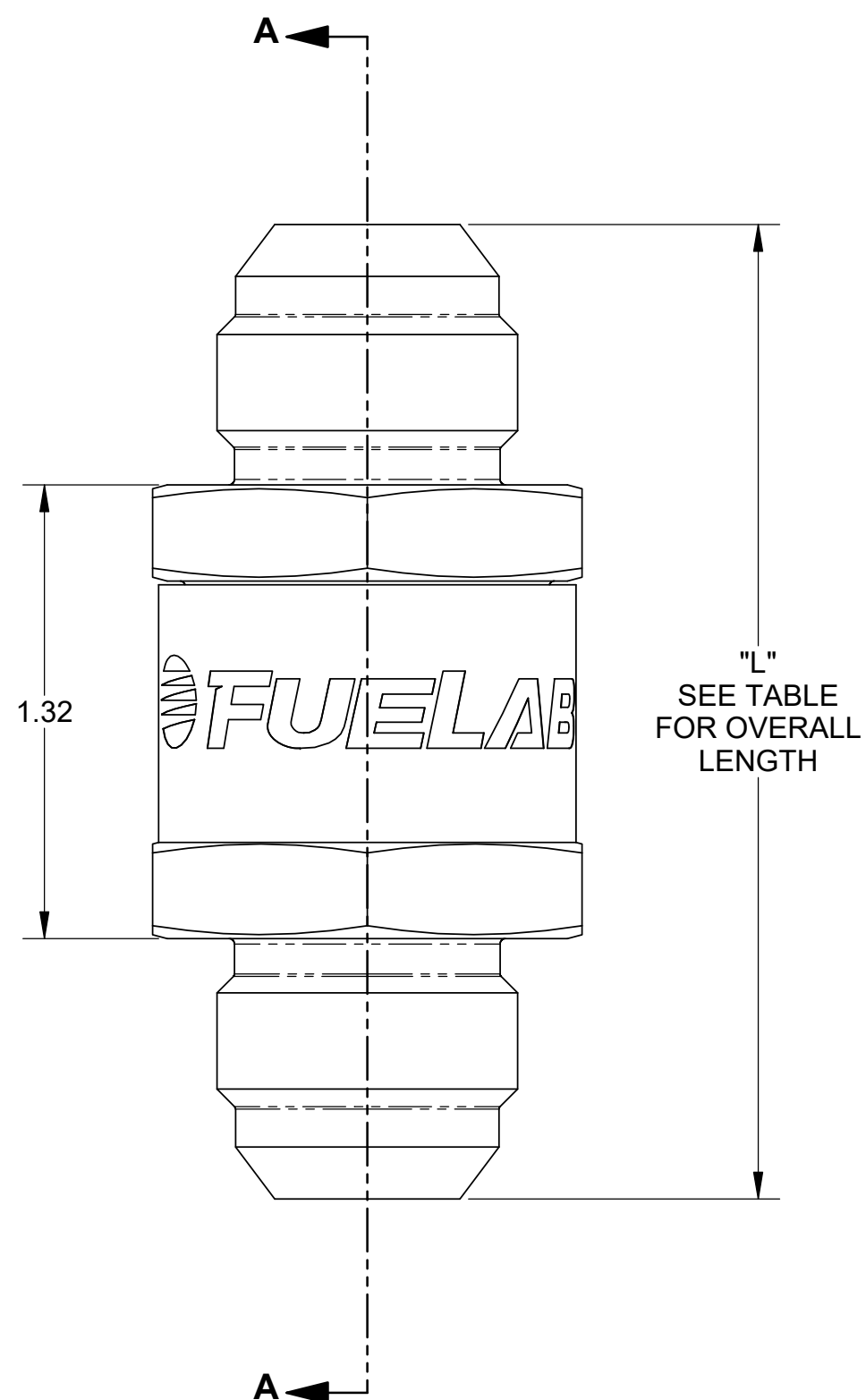
MODEL	INLET / OUTLET FITTING SIZE	OVERALL LENGTH (L)
71702	-6AN, MALE	2.49
71703	-8AN, MALE	2.64
71704	-10AN, MALE	2.84



ISOMETRIC VIEW


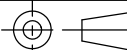


**ALTERNATE ISOMETRIC VIEW
SCALE 1:1**



SECTION A-A

**MODEL 71704
SHOWN ABOVE**

UNLESS OTHERWISE SPECIFIED:		 COLLINSVILLE, ILLINOIS	
INTERPRET DWG PER ANSI Y14.5 DIMENSIONS ARE IN INCHES TOLERANCES: FRACTIONAL: ±1/64" ANGULAR: ±1/2° DECIMALS: X±1 .XX±.03 .XXX±.010 SURFACE FINISH: 128 OR BETTER BREAK ALL SHARP EDGES .010 MAX REMOVE ALL BURRS		TITLE: CHECK VALVE, MODELS 71702, 71703, 71704	
THIRD ANGLE PROJECTION 	SIZE: C	DWG. NO.: 117020200	REV:
DO NOT SCALE DRAWING		SCALE: 2/1	WEIGHT: SHEET: 1 OF 1