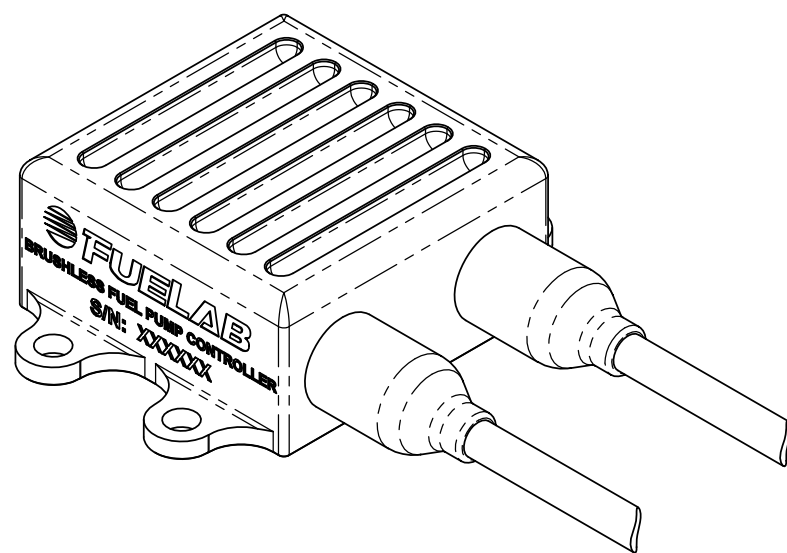


**NOTES:**

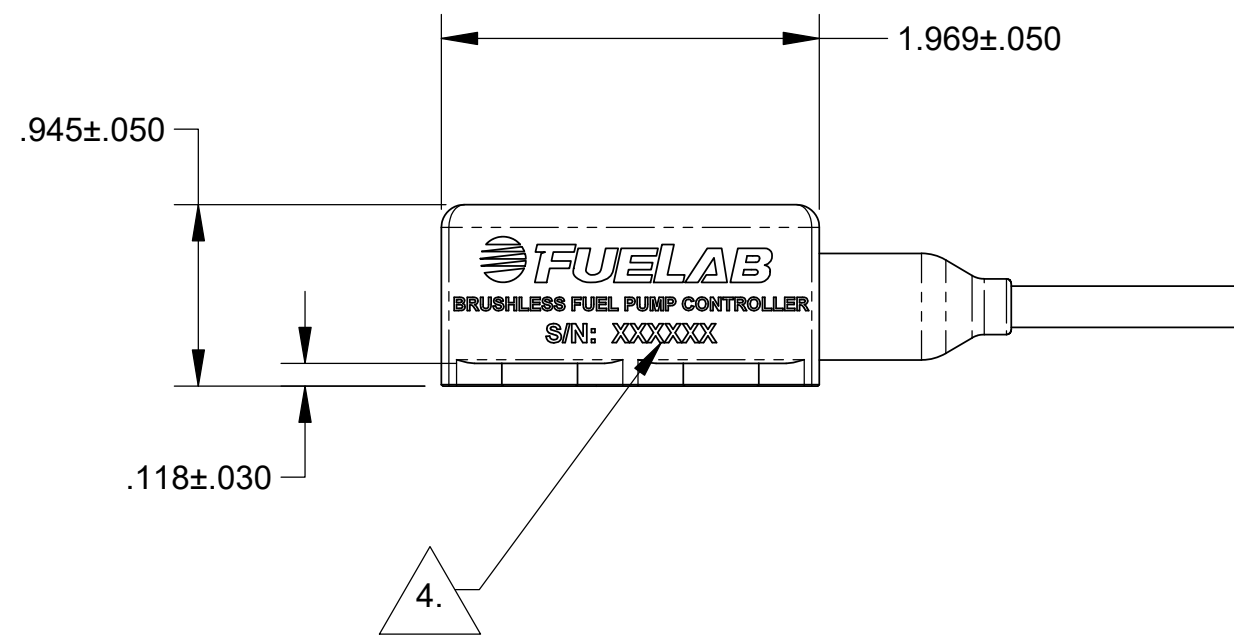
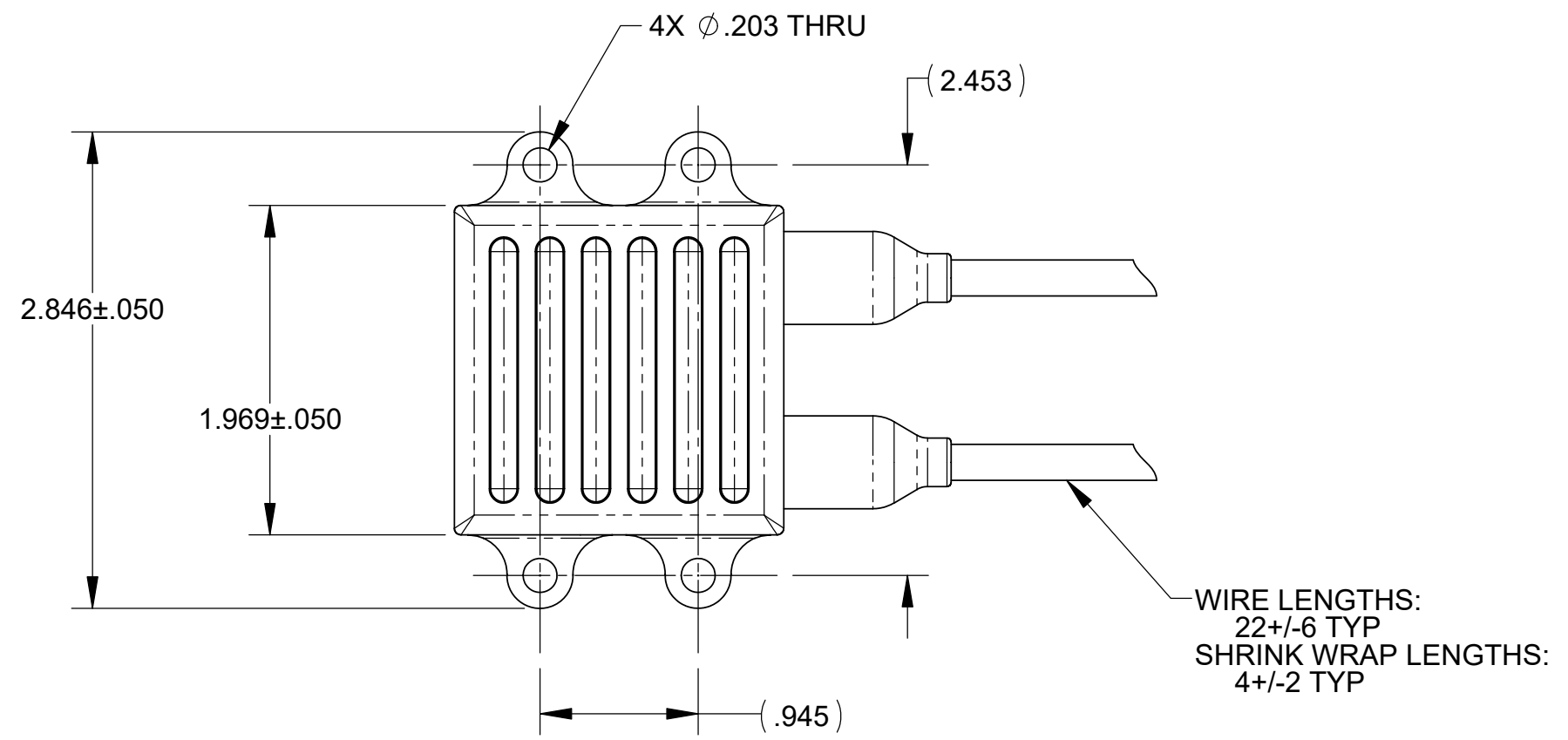
1. THIS DRAWING DESCRIBES THE FUELAB MODEL 720xx SERIES EXTERNAL DC BRUSHLESS FUEL PUMP CONTROLLER.
2. FEATURES INCLUDE:
  - COMPATIBILITY WITH 3-PHASE DC BRUSHLESS FUEL PUMPS (3-WIRE) WITHOUT INTERNAL ELECTRONIC CONTROLLERS ONLY
  - 20 AMP MAXIMUM OUTPUT CAPACITY
  - BILLET ALUMINUM ENCLOSURE
  - OPTIONAL SPEED CONTROL BY EITHER PWM OR 0-5 VOLT ANALOG INPUT SIGNALS
3. FOR EXTERNAL (TO FUEL TANK OR CELL) MOUNTING ONLY. EXCEEDING VOLTAGE OR CURRENT DRAW LIMITS WILL PERMANENTLY DAMAGE CONTROLLER. DO NOT APPLY REVERSE POLARITY FOR POWER INPUT. CONTROLLER IS NOT COMPATIBLE WITH BRUSHED MOTOR BASED FUEL PUMPS.
4. UNIQUE SERIAL NUMBER DOES NOT CONTAIN DIRECT INFORMATION IN DETERMINING MODEL NUMBER. CONTACT FUELAB FOR DETERMINATION OF MODEL NUMBER BASED ON SERIAL NUMBER.
5. 8-16 VOLT OPERATING RANGE, USE ONLY 12 VOLT (6 CELL LEAD ACID BATTERY) VEHICLE SYSTEMS WITH OR WITHOUT CHARGING SYSTEM.
6. SEE TABLE BELOW FOR DETERMINATION OF DESIRED MODEL NUMBER.

**MODEL SELECTION TABLE**

MODEL	SPEED CONTROL METHOD
72001	NONE, FULL SPEED ONLY
72002	5 VOLT PWM SIGNAL AT 100 Hz
72003	0-5 VOLT ANALOG SIGNAL INPUT



**ISOMETRIC VIEW SHOWN ABOVE**



UNLESS OTHERWISE SPECIFIED:  
 INTERPRET DWG PER ANSI Y14.5  
 DIMENSIONS ARE IN INCHES  
 TOLERANCES:  
 FRACTIONAL: ±1/64"  
 ANGULAR: ± 1/2°  
 DECIMALS:  
 X±1 .XX±.03 .XXX±.010  
 SURFACE FINISH 128 ✓ OR BETTER  
 BREAK ALL SHARP EDGES .010 MAX  
 REMOVE ALL BURRS  
 THIRD ANGLE PROJECTION

**FUELAB**  
DIGITAL FUEL DELIVERY  
Collinsville, Illinois

TITLE:  
**PUMP CONTROLLER,  
720xx SERIES**

SIZE	DWG. NO.	REV
<b>C</b>	<b>120020100</b>	

SCALE: 1/1 WEIGHT: SHEET: 1 OF 1