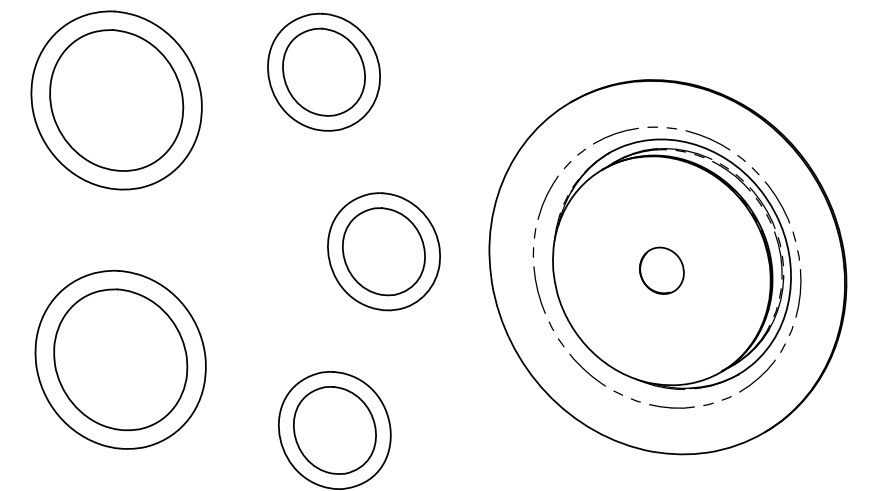
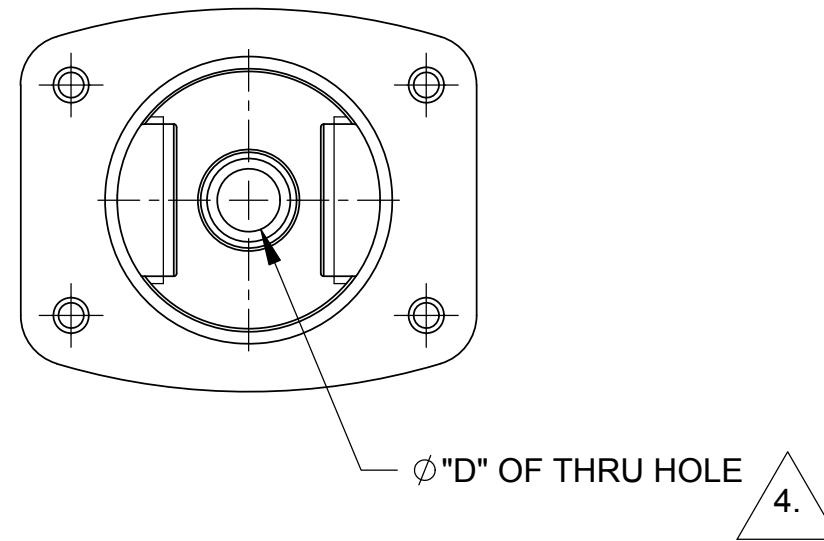
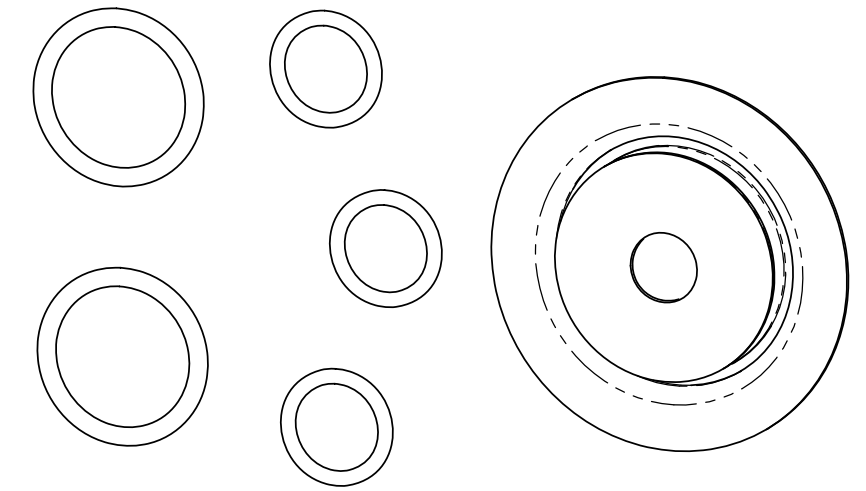


NOTES:

1. THIS DRAWING DESCRIBES THE FUELAB 146xx SERIES REPLACEMENT DIAPHRAGM AND O-RING KIT.
2. REPLACEMENT KIT IS INTENDED FOR USE WITH FUELAB FUEL PRESSURE REGULATORS WITH INTERNAL LEAKAGE AT DIAPHRAGM (FUEL LEAKAGE AT PRESSURE REFERENCE PORT).
3. FEATURES INCLUDE:
 - COMPATIBILITY WITH FUELAB 515xx, 525xx, 535xx, 545xx, 555xx, 565xx, 575xx, 529xx, 501xx SERIES REGULATORS.
 - INSTALLATION INSTRUCTIONS.
4. REFERENCE "D" ORIFICE DIAMETER IN FIELD OF DRAWING TO DETERMINE DIFFERENCE BETWEEN "S", NO REV "L" AND REV A "L" SEATS, FOR KIT MODELS 515xx, 525XX AND 565xx SERIES REGULATORS.
5. SEE TABLES BELOW FOR DETERMINATION OF DESIRED MODEL NUMBER.



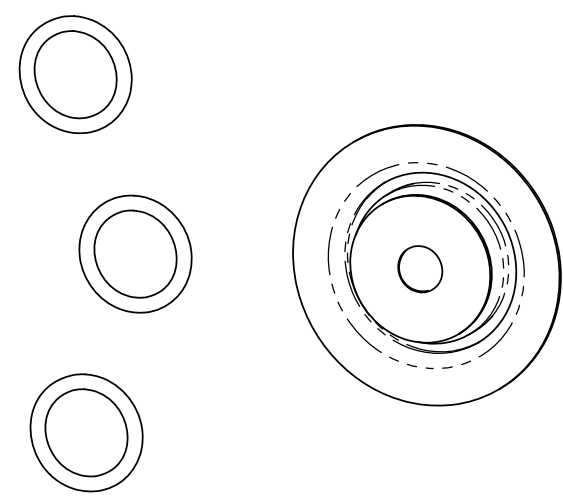
CONTENTS OF MODEL 14601 SHOWN ABOVE



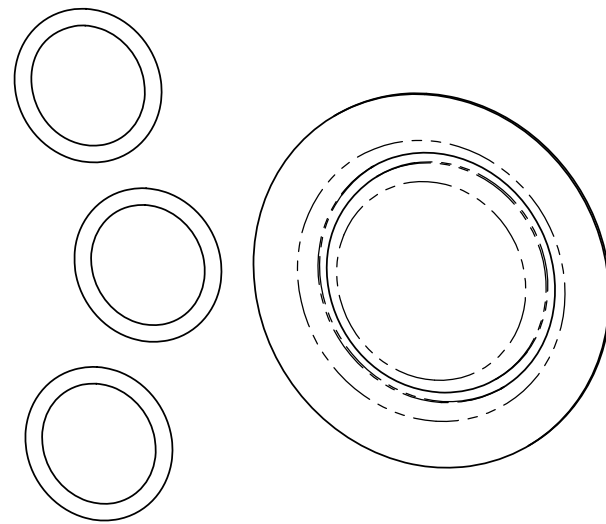
CONTENTS OF MODEL 14602 SHOWN ABOVE

MODEL SELECTION TABLE

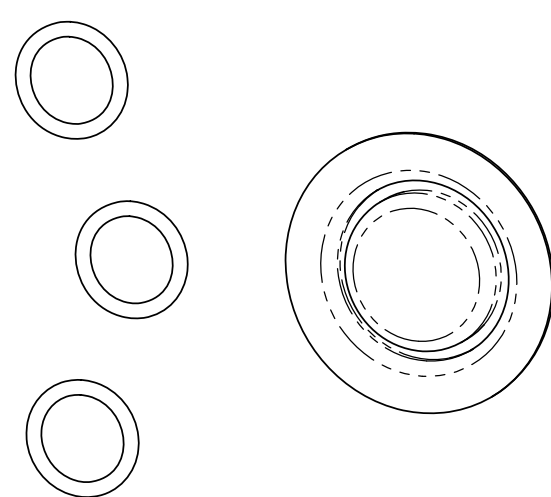
MODEL	DESCRIPTION	Ø"D" AS MEASURED	SERIES COMPATIBILITY
14601	REGULATOR DIAPHRAGM/O-RING KIT	.141	515xx ("S" SEAT), 525xx ("S" SEAT), 529xx, 50101
14602	REGULATOR DIAPHRAGM/O-RING KIT	.219	515xx (No Rev "L" SEAT), 525xx (No Rev "L" SEAT)
14603	REGULATOR DIAPHRAGM/O-RING KIT	MEASUREMENT NOT REQUIRED	535xx, 545xx
14604	REGULATOR DIAPHRAGM/O-RING KIT	MEASUREMENT NOT REQUIRED	555xx
14605	REGULATOR DIAPHRAGM/O-RING KIT	MEASUREMENT NOT REQUIRED	575xx
14606	REGULATOR DIAPHRAGM/O-RING KIT	.328	515xx (Rev A "L" SEAT), 525xx (Rev A "L" SEAT), 50102, 50103
14607	REGULATOR DIAPHRAGM/O-RING KIT	MEASUREMENT NOT REQUIRED	565xx
14608	REGULATOR DIAPHRAGM/O-RING KIT	.500	565xx
14609	REGULATOR DIAPHRAGM/O-RING KIT	.328	565xx
14610	REGULATOR DIAPHRAGM/O-RING KIT	MEASUREMENT NOT REQUIRED	585xx



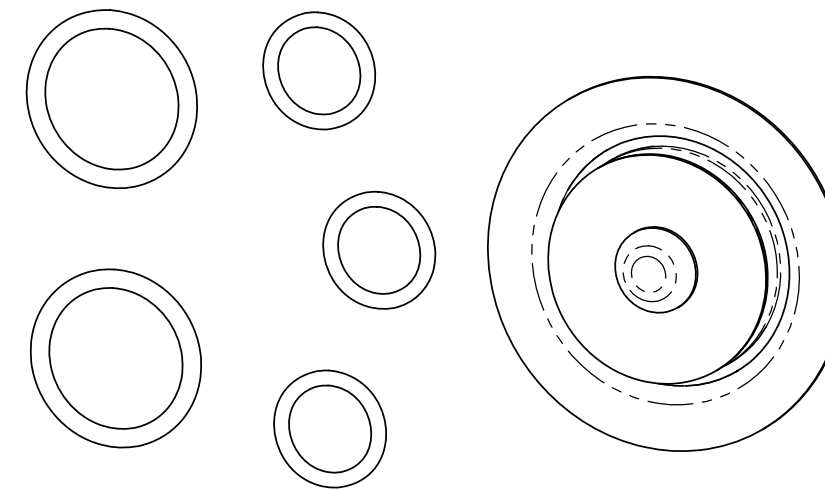
CONTENTS OF MODEL 14603 SHOWN ABOVE



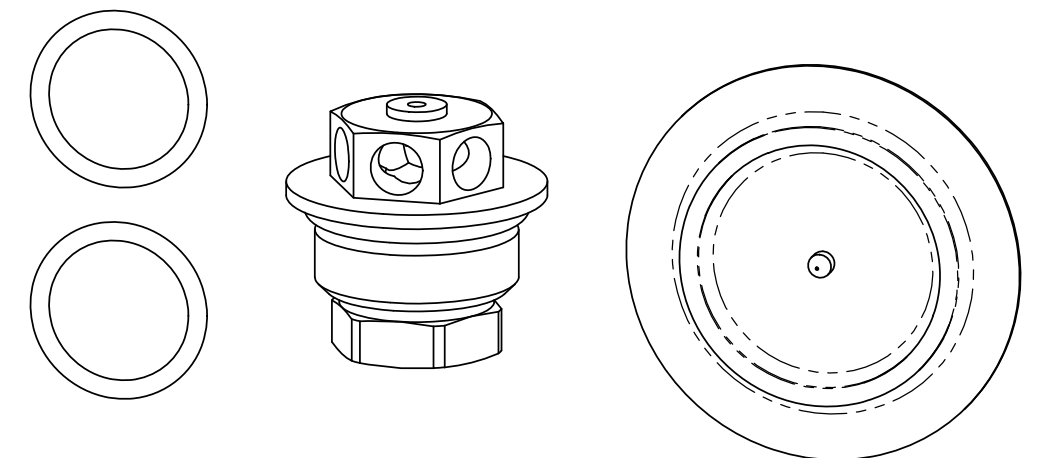
CONTENTS OF MODEL 14604 SHOWN ABOVE



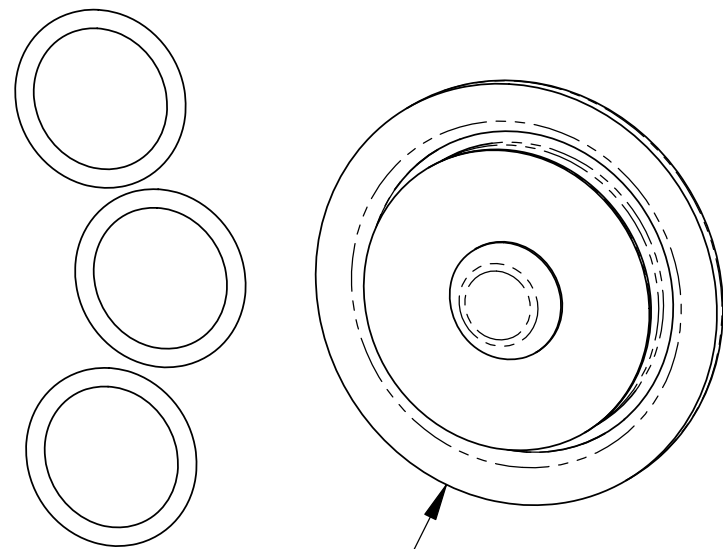
CONTENTS OF MODEL 14605 SHOWN ABOVE



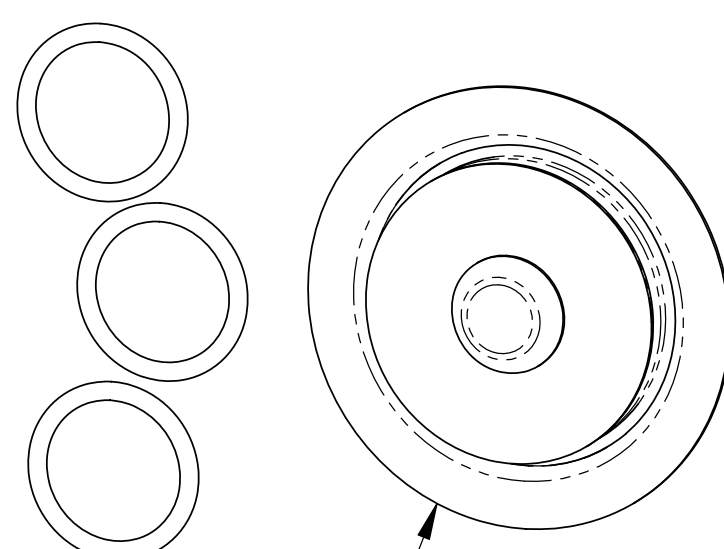
CONTENTS OF MODEL 14606 SHOWN ABOVE



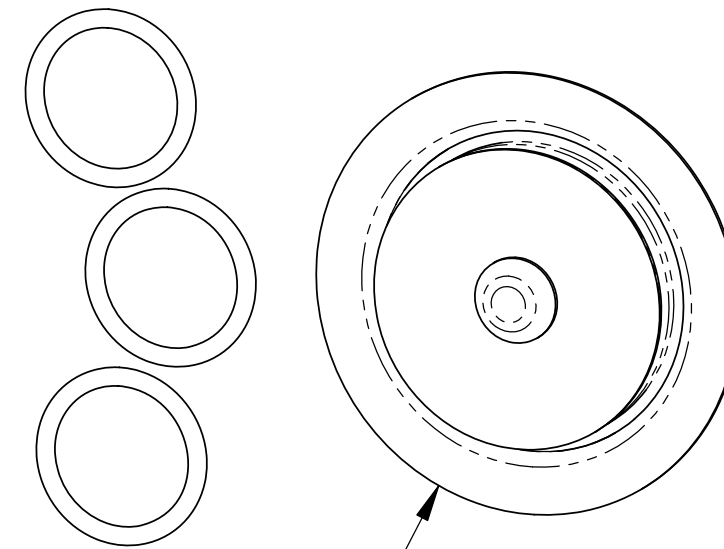
CONTENTS OF MODEL 14610 SHOWN ABOVE



CONTENTS OF MODEL 14607 SHOWN ABOVE



CONTENTS OF MODEL 14608 SHOWN ABOVE



CONTENTS OF MODEL 14609 SHOWN ABOVE

UNLESS OTHERWISE SPECIFIED:		FUELAB DIGITAL FUEL DELIVERY Collinsville, Illinois	
INTERPRET DWG PER ANSI Y14.5 DIMENSIONS ARE IN INCHES		TITLE: DIAPHRAGM / O-RING KIT, 146xx SERIES	
TOLERANCES: FRACTIONAL: ±1/64" ANGULAR: ±1/2° DECIMALS: X±1 .XX±.03 .XXX±.010		SIZE: C	DWG. NO.: 146020100
SURFACE FINISH: 128 OR BETTER		SCALE: 2/1	WEIGHT:
BREAK ALL SHARP EDGES .010 MAX REMOVE ALL BURRS		SHEET: 1 OF 1	REV: A
THIRD ANGLE PROJECTION		DO NOT SCALE DRAWING	