

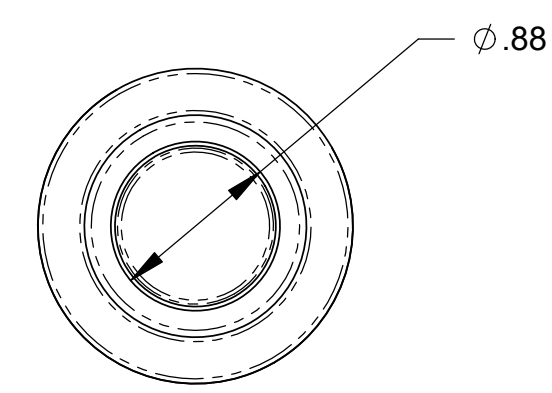
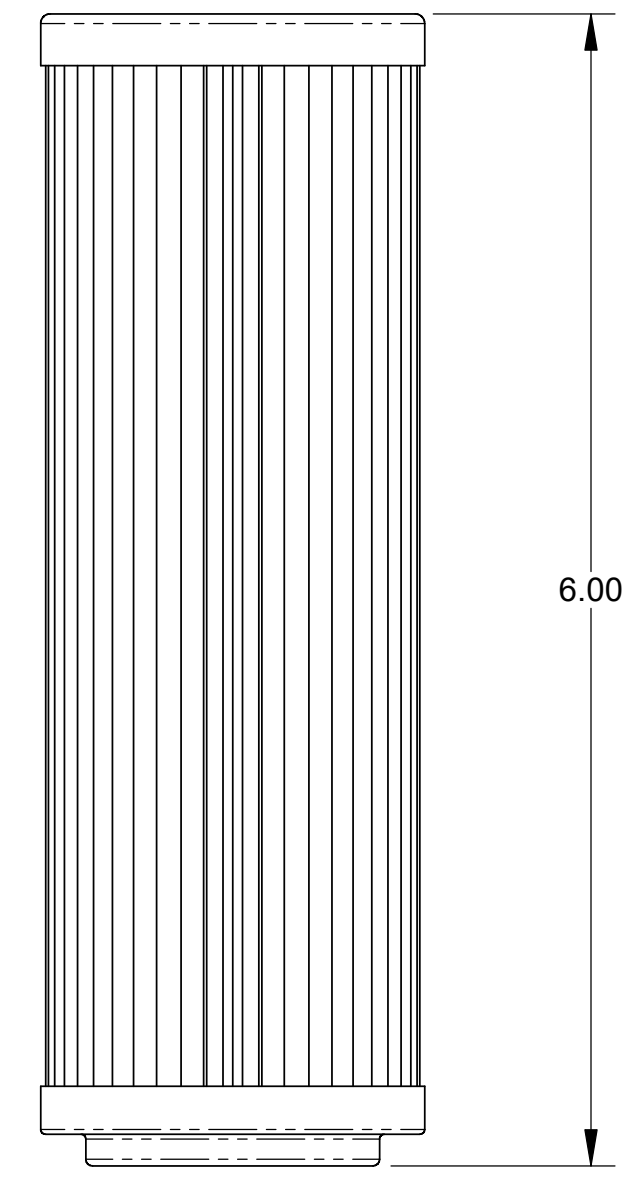
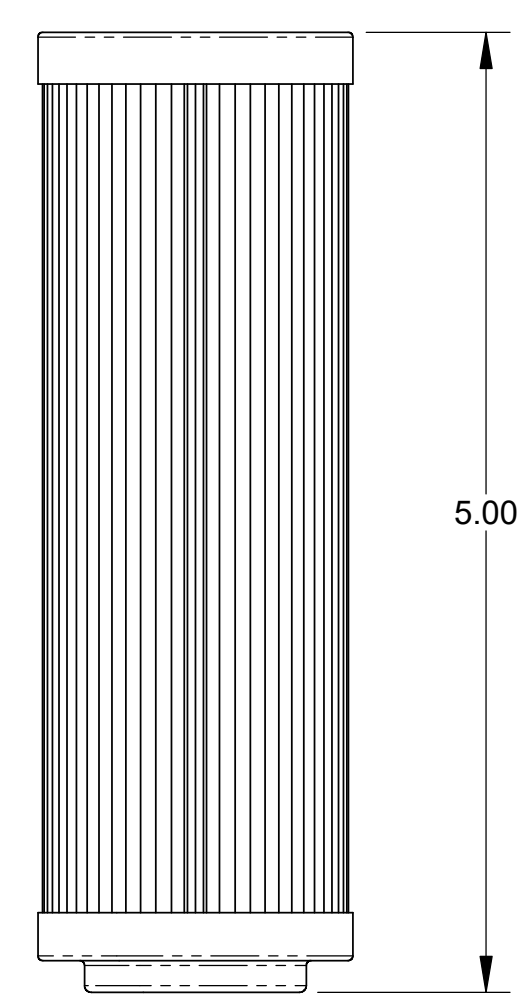
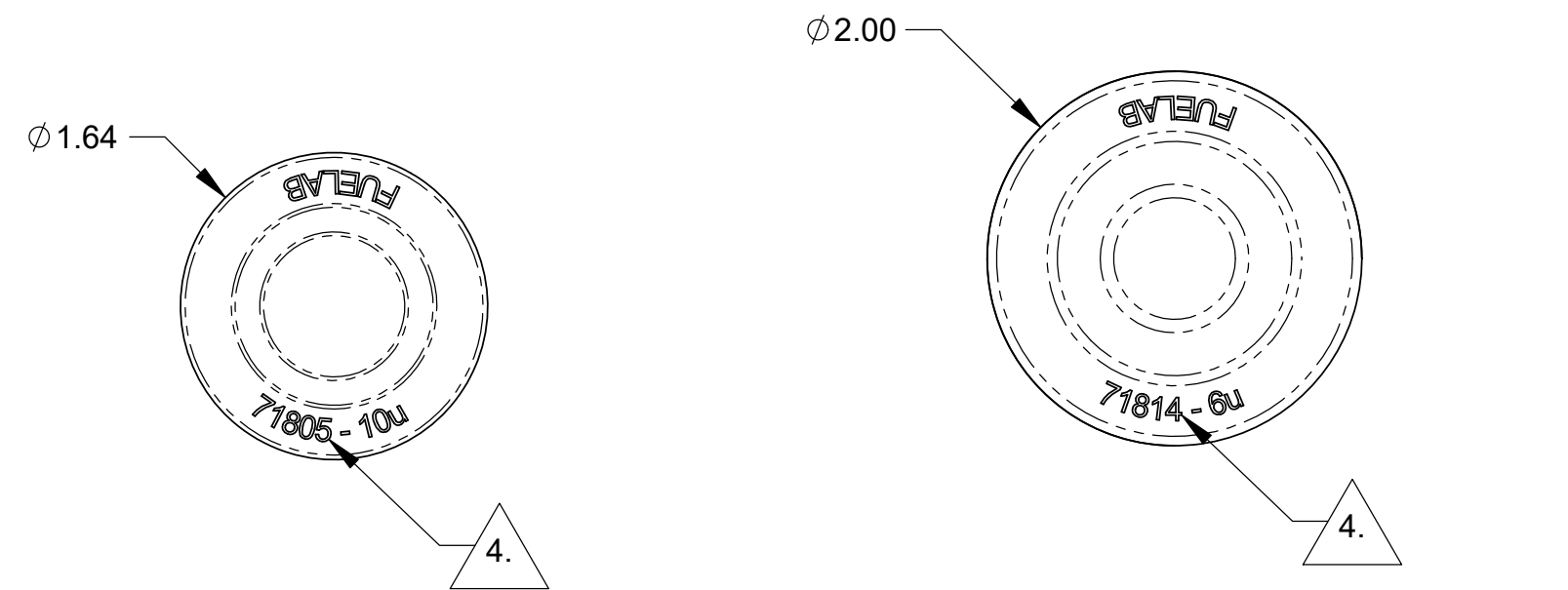
NOTES:

1. THIS DRAWING DESCRIBES THE FUELAB 718xx SERIES FUEL FILTER ELEMENTS.
2. FEATURES INCLUDE:
 - COMPATIBILITY WITH FUELAB 818xx, 828xx, 848xx, 858xx AND 868xx SERIES FILTER ASSEMBLIES
 - AVAILABLE IN THREE (3), FIVE (5) AND SIX (6) INCH LENGTHS
 - SIMILAR BUILD TO AN6235-3A STYLE FILTER ELEMENTS
3. FUEL COMPATIBILITY INCLUDES:
 - GASOLINE (PUMP OR RACE)
 - METHANOL
 - ETHANOL (INCLUDING E85)
 - DIESEL

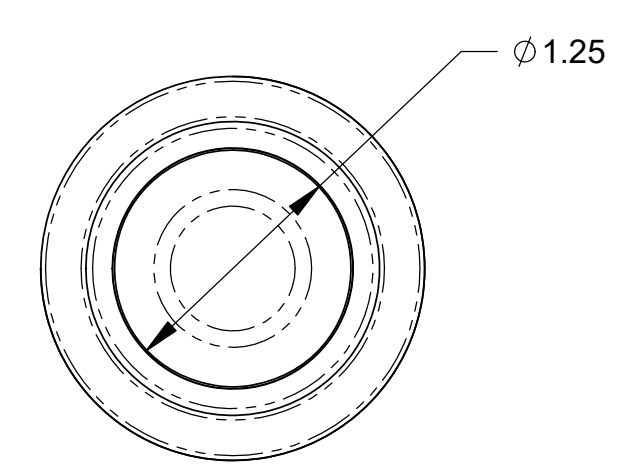
SPECIAL NOTE: CELLULOSE ELEMENTS HAVE COMPATIBILITY WITH GASOLINE (PUMP OR RACE) AND DIESEL FUELS ONLY!
4. MODEL NUMBER PRINTED ON ELEMENT END CAP AS SHOWN IN FIELD OF DRAWING.
5. SEE TABLES BELOW FOR DETERMINATION OF DESIRED MODEL NUMBER.

MODEL SELECTION TABLE

MODEL	MATERIAL	MICRON RATING	DIAMETER	LENGTH	COMPATIBILITY
71801	CELLULOSE (PAPER)	10μ RELATIVE	1.64 INCHES	3 INCHES	818xx, 848xx SERIES
71802	STAINLESS STEEL	40μ RELATIVE	1.64 INCHES	3 INCHES	818xx, 848xx SERIES
71803	STAINLESS STEEL	100μ RELATIVE	1.64 INCHES	3 INCHES	818xx, 848xx SERIES
71804	MICRO-FIBERGLASS	6μ ABSOLUTE	1.64 INCHES	3 INCHES	818xx, 848xx SERIES
71805	CELLULOSE (PAPER)	10μ RELATIVE	1.64 INCHES	5 INCHES	828xx, 858xx SERIES
71806	STAINLESS STEEL	40μ RELATIVE	1.64 INCHES	5 INCHES	828xx, 858xx SERIES
71807	STAINLESS STEEL	100μ RELATIVE	1.64 INCHES	5 INCHES	828xx, 858xx SERIES
71808	MICRO-FIBERGLASS	6μ ABSOLUTE	1.64 INCHES	5 INCHES	828xx, 858xx SERIES
71812	STAINLESS STEEL	40μ RELATIVE	2.00 INCHES	6 INCHES	868xx SERIES
71813	STAINLESS STEEL	100μ RELATIVE	2.00 INCHES	6 INCHES	868xx SERIES
71814	MICRO-FIBERGLASS	6μ ABSOLUTE	2.00 INCHES	6 INCHES	868xx SERIES



MODEL 71805 SHOWN ABOVE



MODEL 71814 SHOWN ABOVE

UNLESS OTHERWISE SPECIFIED: INTERPRET DWG PER ANSI Y14.5 DIMENSIONS ARE IN INCHES TOLERANCES: FRACTIONAL: ±1/64" ANGULAR: ±1/2° DECIMALS: X±1 .XX±0.03 .XXX±0.010 SURFACE FINISH: 128 OR BETTER BREAK ALL SHARP EDGES .010 MAX REMOVE ALL BURRS			
TITLE: FILTER ELEMENT, 718xx SERIES			
SIZE C	DWG. NO. 1080201A0	REV B	
SCALE: 2/1	WEIGHT:	SHEET: 1 OF 1	