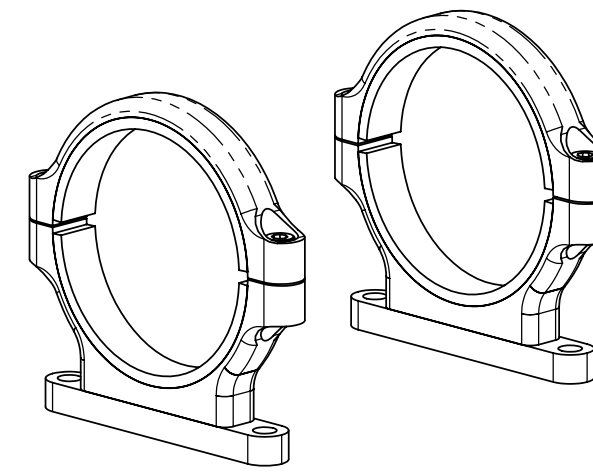


**NOTES:**

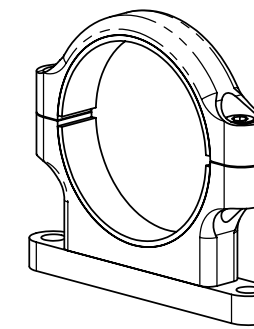
1. THIS DRAWING DESCRIBES THE FUELAB 451xx SERIES BILLET ALUMINUM BRACKET SYSTEMS.
2. FEATURES INCLUDE:
  - COMPATIBILITY WITH FUELAB 818xx, 828xx, 848xx AND 858xx SERIES FILTER ASSEMBLIES
  - COMPATIBILITY WITH FUELAB 404xx, 414xx AND 424xx PRODIGY SERIES ELECTRONIC FUEL PUMPS.
  - STAINLESS STEEL HARDWARE WITH RUBBER CUSIONS
3. MODELS 45102 AND 45104 ARE BRACKET SETS THAT ONLY INCLUDE ONE BRACKET FOR FUELAB FILTER MODELS IN SERIES 818xx AND 848xx. FOR MOUNTING MODELS 828xx AND 858xx REQUIRE ADDITIONAL BRACKET SET, TWO (2) TOTAL.
4. MODELS 45103, 45104 AND 45106 ARE CAGE MOUNT STYLE BRACKET SETS, COMPATIBLE WITH CAGE DIAMETERS OF 1.25 TO 1.75 INCHES. MILLING OPERATION IS REQUIRED FOR CAGE DIAMETERS OVER 1.25 INCHES.
5. MODELS 45105 AND 45106 INCLUDE FUEL FILTER BRACKET THAT ALINES CONCENTRICLY WITH PUMP BRACKET (EXTENSION INCLUDED) WHEN FILTER IS PLUMBED DIRECTLY WITH PUMP.
6. SEE TABLES BELOW FOR DETERMINATION OF DESIRED MODEL NUMBER.

**MODEL SELECTION TABLE**

MODEL	MOUNTING	APPLICATION	NO. BRACKETS
45101	PLATE	PRODIGY FUEL PUMP	2
45102	PLATE	FUELAB FILTER	1
45103	CAGE	PRODIGY FUEL PUMP	2
45104	CAGE	FUELAB FILTER	1
45105	PLATE	PRODIGY FUEL PUMP / FUELAB FILTER	2
45106	CAGE	PRODIGY FUEL PUMP / FUELAB FILTER	2

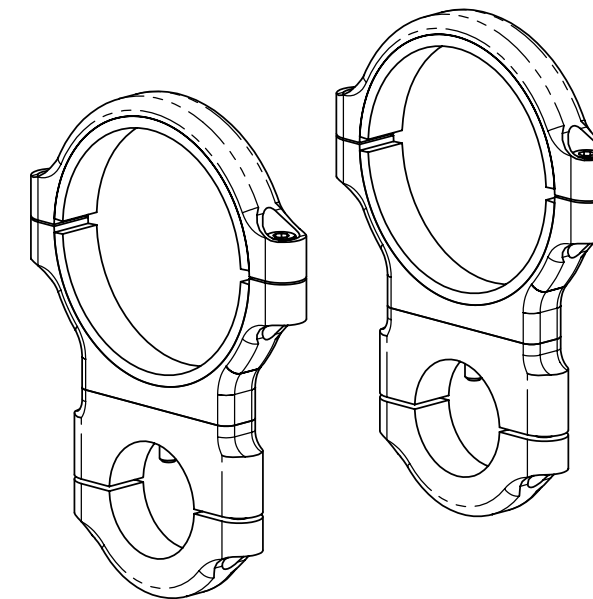


**MODEL 45101 SHOWN ABOVE  
(INCLUDES BOTH BRACKET SETS  
FOR PRODIGY FUEL PUMPS)**



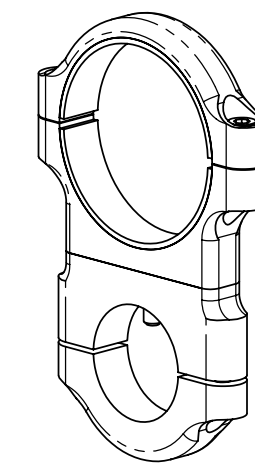
**MODEL 45102 SHOWN ABOVE  
(INCLUDES SINGLE BRACKET SET  
FOR FUELAB FUEL FILTER)**

3.



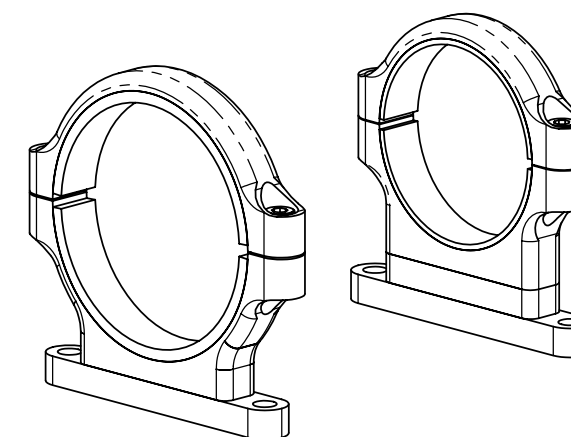
**MODEL 45103 SHOWN ABOVE  
(INCLUDES BOTH BRACKET SETS  
FOR PRODIGY FUEL PUMPS)**

4.



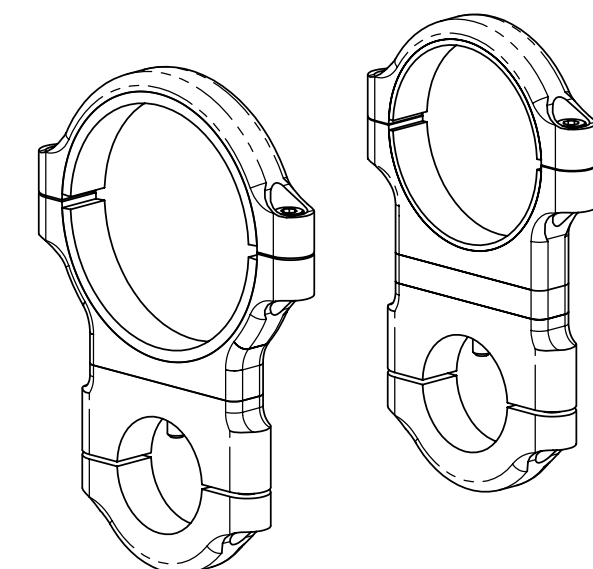
**MODEL 45104 SHOWN ABOVE  
(INCLUDES SINGLE BRACKET SET  
FOR FUELAB FUEL FILTER)**

3. 4.



**MODEL 45105 SHOWN ABOVE  
(INCLUDES BOTH BRACKET SETS FOR  
PRODIGY FUEL PUMP WITH FUELAB FILTER)**

5.



**MODEL 45106 SHOWN ABOVE  
(INCLUDES BOTH BRACKET SETS FOR  
PRODIGY FUEL PUMP WITH FUELAB FILTER)**

4. 5.

UNLESS OTHERWISE SPECIFIED: INTERPRET DWG PER ANSI Y14.5 DIMENSIONS ARE IN INCHES TOLERANCES: FRACTIONAL: ±1/64" ANGULAR: ±1/2° DECIMALS: X±1 .XX±.03 .XXX±.010 SURFACE FINISH 128 OR BETTER BREAK ALL SHARP EDGES .010 MAX REMOVE ALL BURRS			
THIRD ANGLE PROJECTION		TITLE: <b>BILLET ALUMINUM BRACKET SYSTEMS, 451xx SERIES</b>	
SIZE <b>C</b>	DWG. NO. <b>145020100</b>	REV	
SCALE: 1/2	WEIGHT:	SHEET: 1 OF 1	