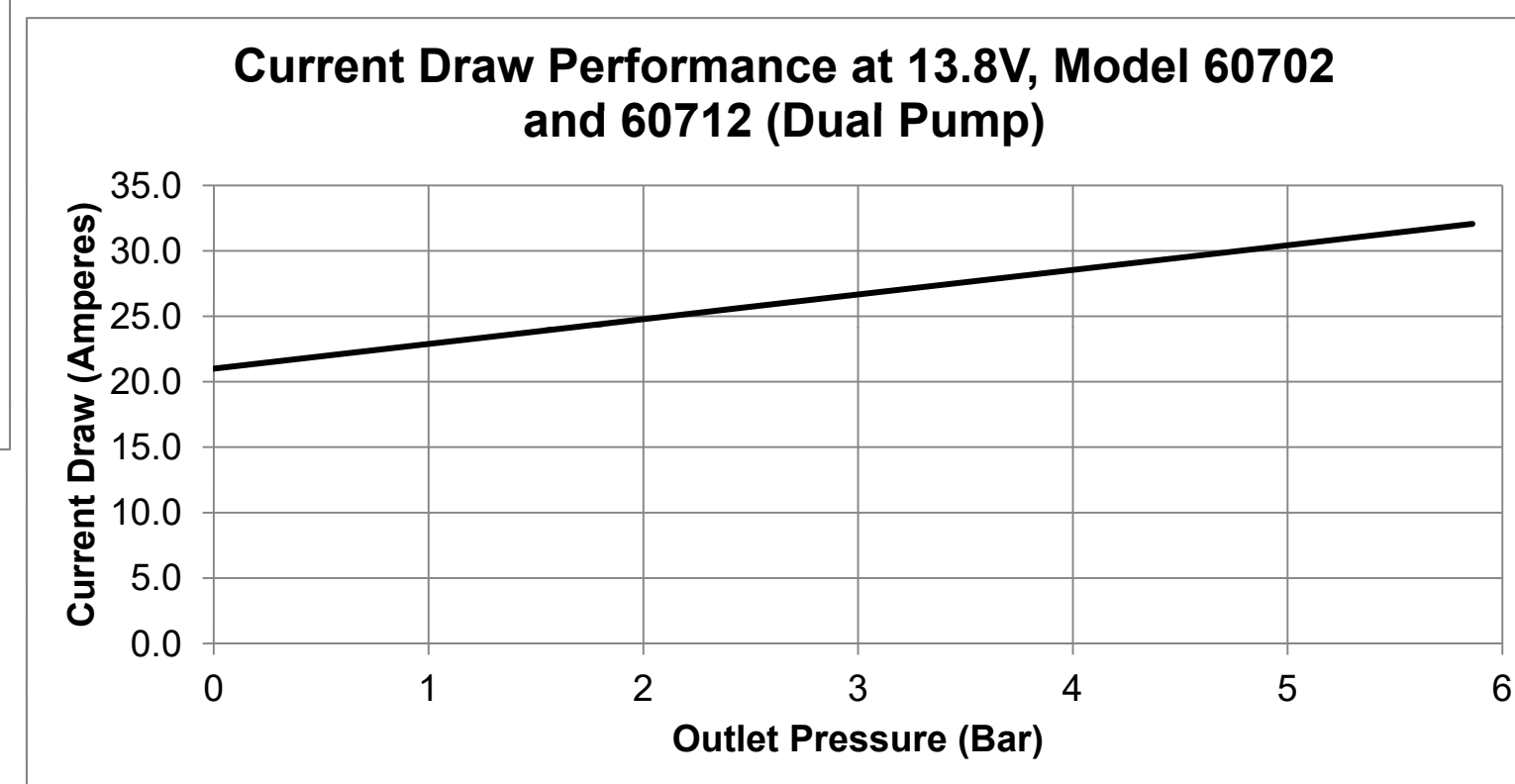
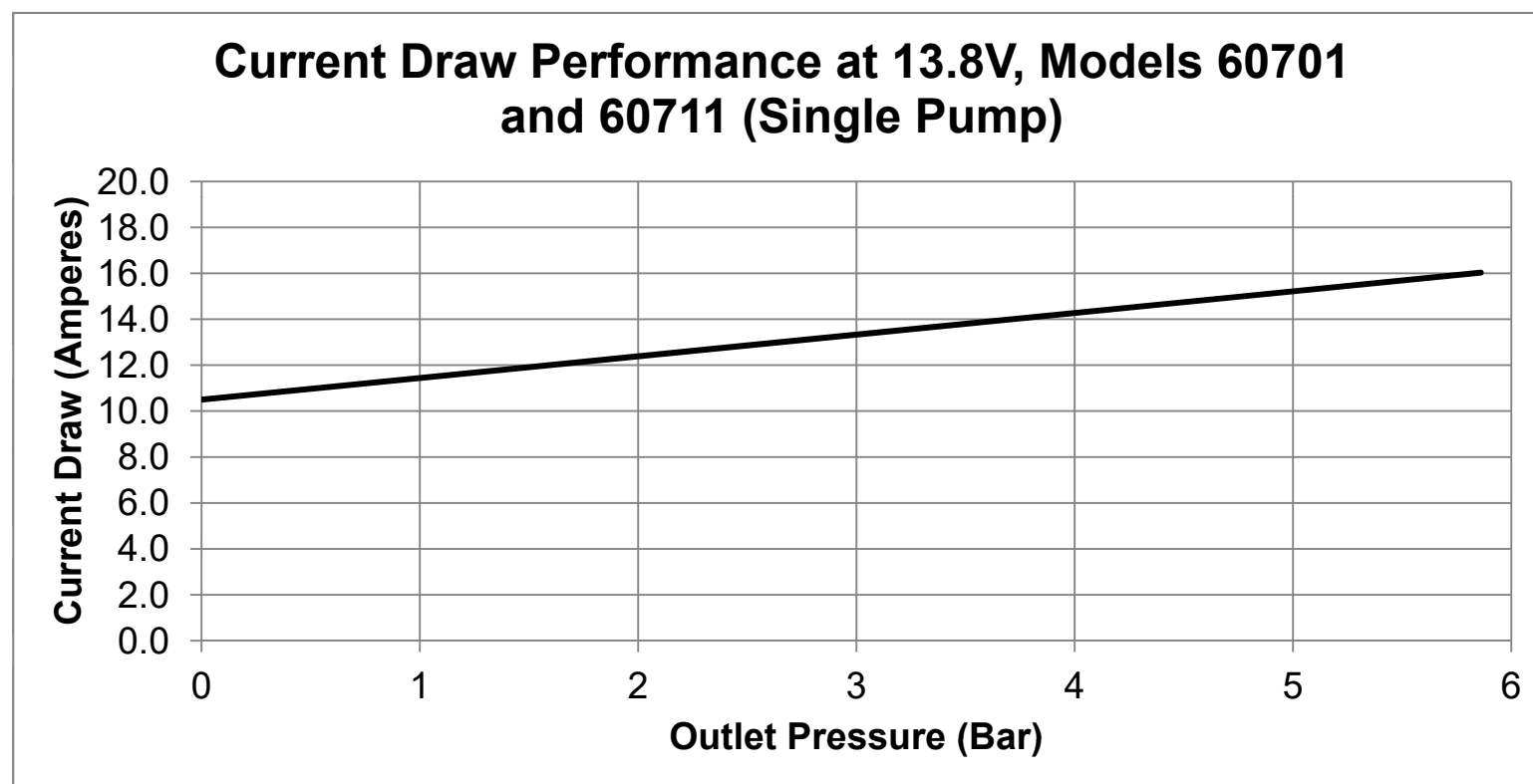
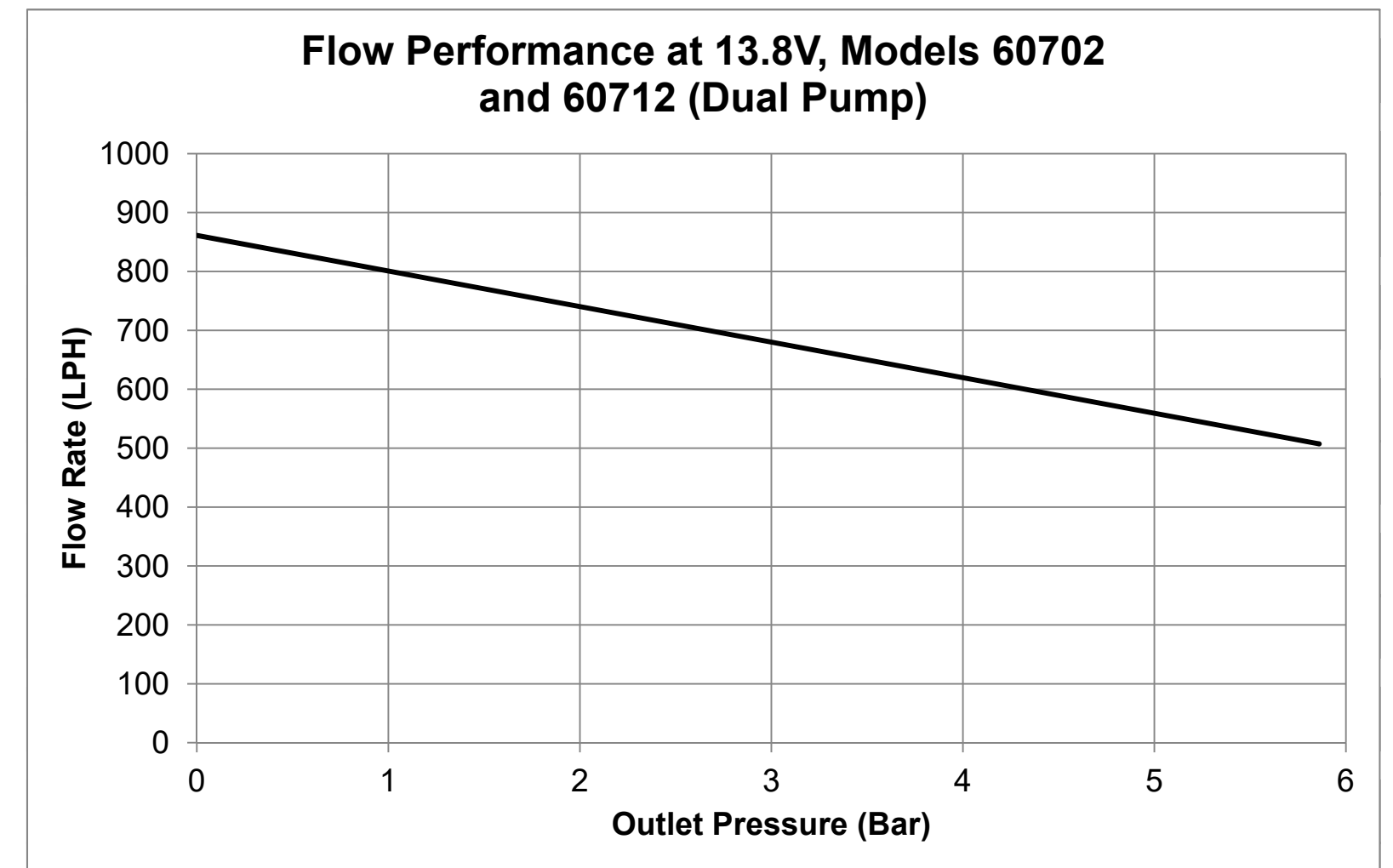
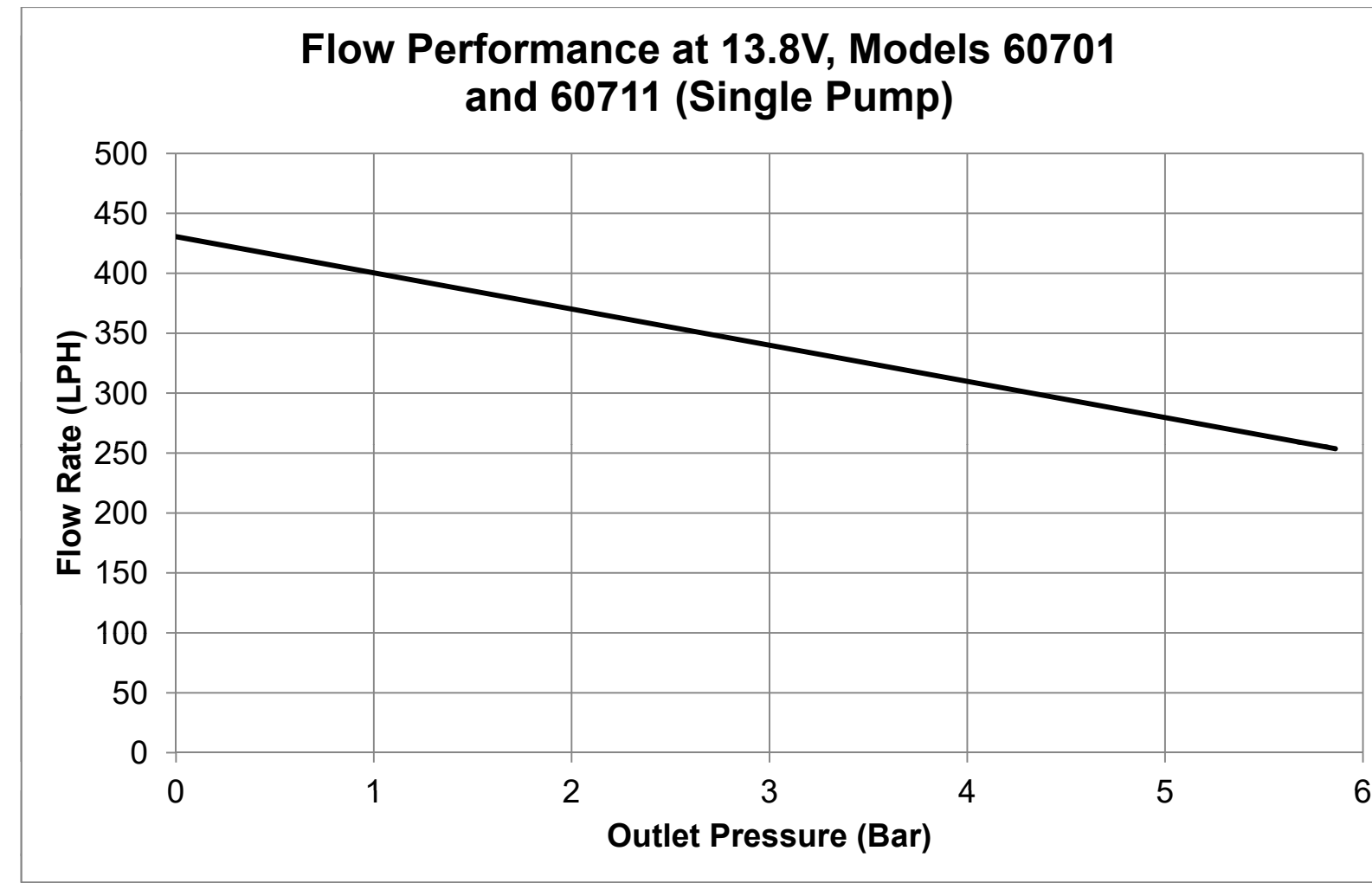



**NOTES:**

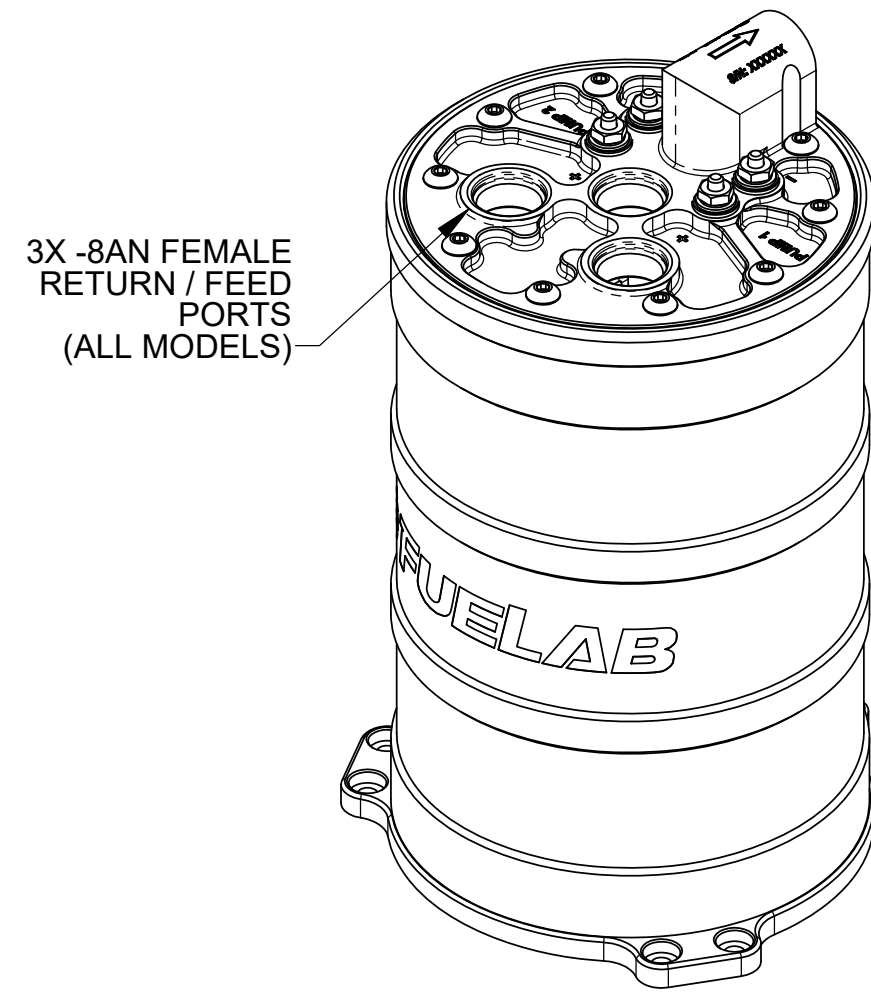
- THIS DRAWING DESCRIBES THE FUELAB 607xx SERIES FUEL SURGE TANK SYSTEM.
- FEATURES INCLUDE:
  - SYSTEM DESIGNED TO PREVENT FUEL SLOSH EFFECTS OR MAIN TANK PUMP CAPACITY INSUFFICIENCIES
  - IN-TANK OEM STYLE PUMP(S) WITH REGENERATIVE TURBINE PUMPING MECHANISM
  - CARBON-CARBON COMMUTATOR FOR E85 COMPATIBILITY
  - INTERNAL CHECK VALVE AND SAFTEY RELIEF VALVE
  - INTEGRATED RING TERMINAL STYLE ELECTRICAL POWER CONNECTORS, CAN BE STAGED FOR DUAL PUMP SYSTEMS (INDEPENDANT POWER CONNECTIONS)
- FUEL COMPATIBILITY INCLUDES:
  - GASOLINE (PUMP OR RACE)
  - ETHANOL (INCLUDING E85)
  - SPECIAL NOTE: NOT COMPATIBLE WITH METHANOL AND DIESEL FUELS
- UNIQUE SERIAL NUMBER DOES NOT CONTAIN DIRECT INFORMATION IN DETERMINING MODEL NUMBER. CONTACT FUELAB FOR DETERMINATION OF MODEL NUMBER BASED ON SERIAL NUMBER.
- LEAK TESTED RESERVOIR ASSEMBLY WITH FUEL PUMP(S) INSTALLED, INSTRUCTIONS AND PERFORMANCE CERTIFICATION(S) INCLUDED, BAGGED SERPARATELY FROM SYSTEM.
- 8-18 VOLT OPERATING RANGE, USE ONLY 12 VOLT OR 16 VOLT (6 OR 8 CELL LEAD ACID BATTERY) VEHICLE SYSTEMS WITH OR WITHOUT CHARGING SYSTEM.
- ALL MODEL 607xx SERIES SYSTEMS REQUIRE BYPASS REGULATOR OR RELIEF VALVE TO AVOID OVER-PRESSURE OPERATING CONDITION (UNLESS BEING USED WITH ELECTRONIC PWM PRESSURE CONTROL).
- SEE TABLE BELOW FOR DETERMINATION OF DESIRED MODEL NUMBER.

**MODEL SELECTION TABLE**

MODEL	TANK VOLUME	NUMBER OF PUMPS	FLOW RATING, AT 13.8v	MAX. PRESSURE
60701	.55 GAL (2.1L)	1X 494xx Series	90 GPH AT 45 PSI (340 LPH AT 3.0 BAR)	85 PSI (5.9 BAR)
60702	.55 GAL (2.1L)	2X 494xx Series	180 GPH AT 45 PSI (680 LPH AT 3.0 BAR)	85 PSI (5.9 BAR)
60711	.71 GAL (2.7L)	1X 494xx Series	90 GPH AT 45 PSI (340 LPH AT 3.0 BAR)	85 PSI (5.9 BAR)
60712	.71 GAL (2.7L)	2X 494xx Series	180 GPH AT 45 PSI (680 LPH AT 3.0 BAR)	85 PSI (5.9 BAR)

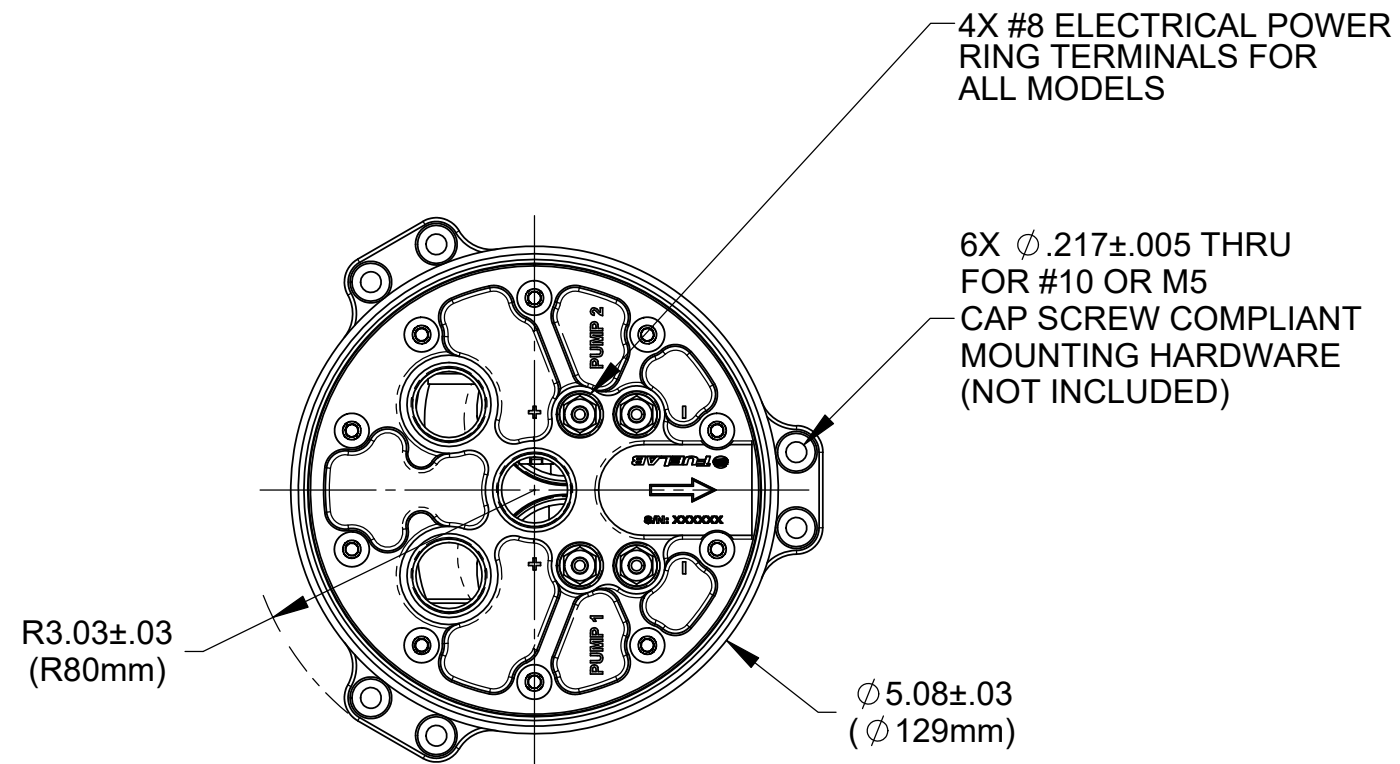


UNLESS OTHERWISE SPECIFIED: INTERPRET DWG PER ANSI Y14.5 DIMENSIONS ARE IN INCHES TOLERANCES: FRACTIONAL: ±1/64" ANGULAR: ±1/2° DECIMALS: X±1 .XX±.03 .XXX±.010 SURFACE FINISH 128 OR BETTER BREAK ALL SHARP EDGES .010 MAX REMOVE ALL BURRS		 COLLINSVILLE, ILLINOIS	
TITLE: <b>SYSTEM, FUEL SURGE TANK</b>			
SIZE <b>C</b>	DWG. NO. <b>114020100</b>	REV	
DO NOT SCALE DRAWING		SCALE: 1/2	SHEET: 1 OF 2



3X -8AN FEMALE  
RETURN / FEED  
PORTS  
(ALL MODELS)

**ISOMETRIC VIEW  
(FOR MODELS 60701 OR 60702 ONLY)**

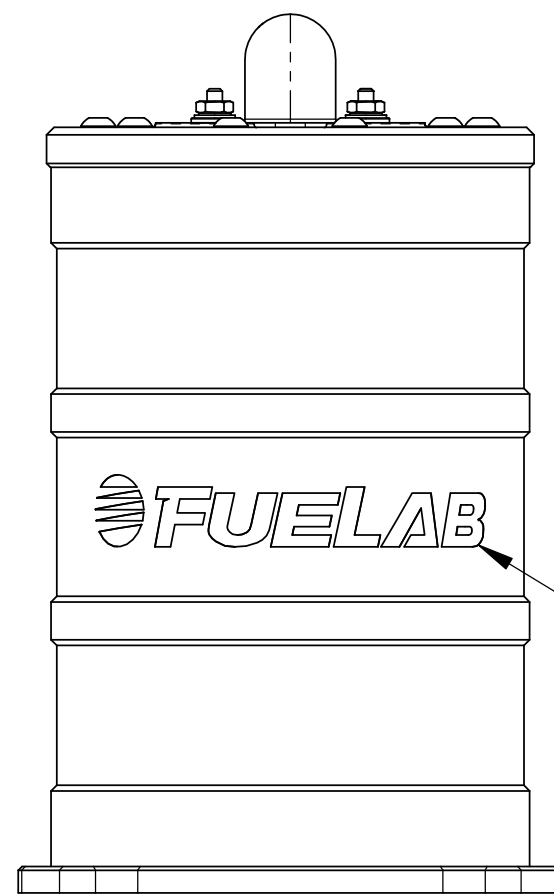


R3.03±.03  
(R80mm)

4X #8 ELECTRICAL POWER  
RING TERMINALS FOR  
ALL MODELS

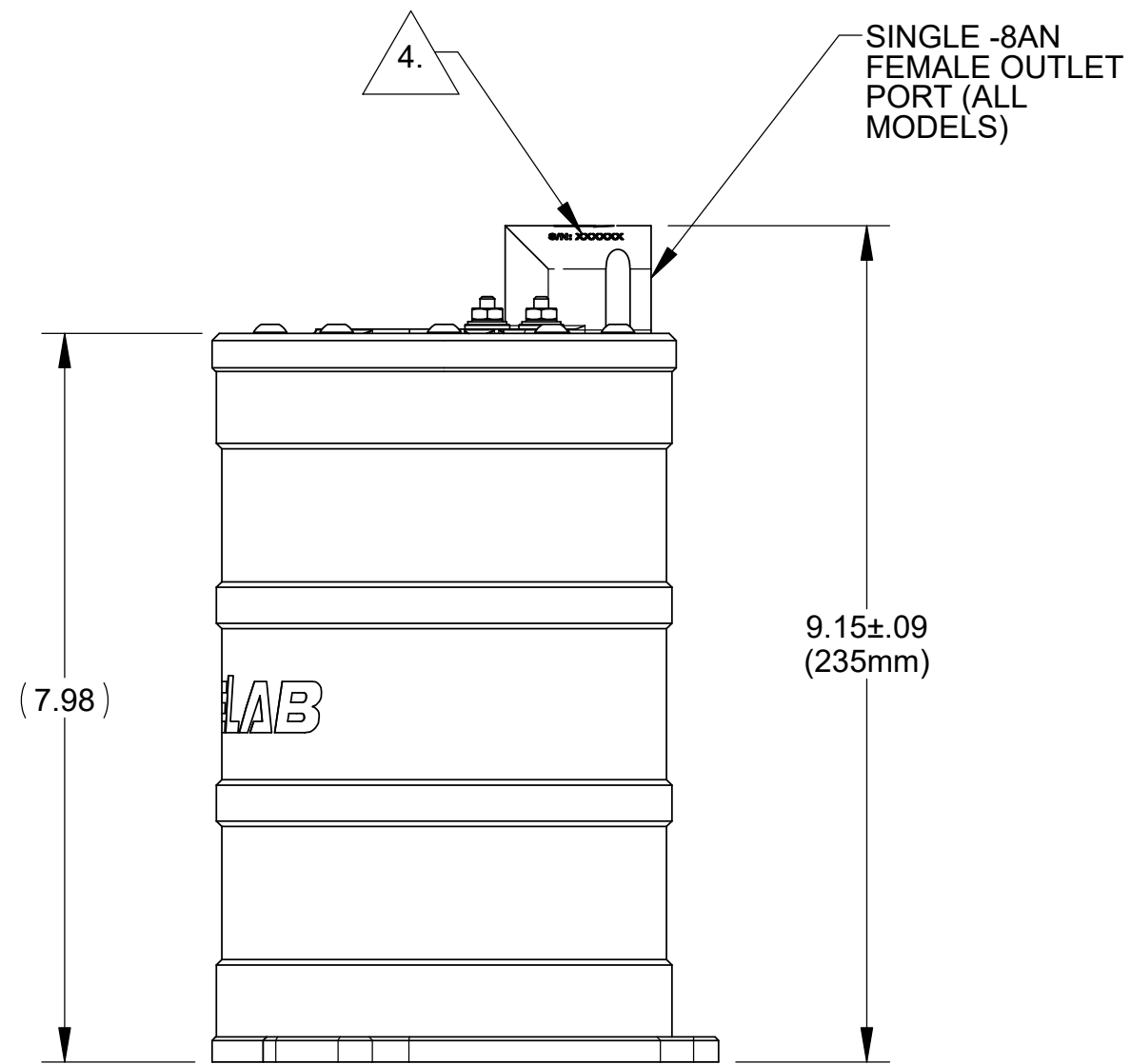
6X  $\phi .217 \pm .005$  THRU  
FOR #10 OR M5  
CAP SCREW COMPLIANT  
MOUNTING HARDWARE  
(NOT INCLUDED)

$\phi 5.08 \pm .03$   
( $\phi 129$ mm)



LASER ENGRAVED  
FUELAB LOGO  
(ALL MODELS)

**MODELS 60701 OR 60702 ONLY  
SHOWN ABOVE**

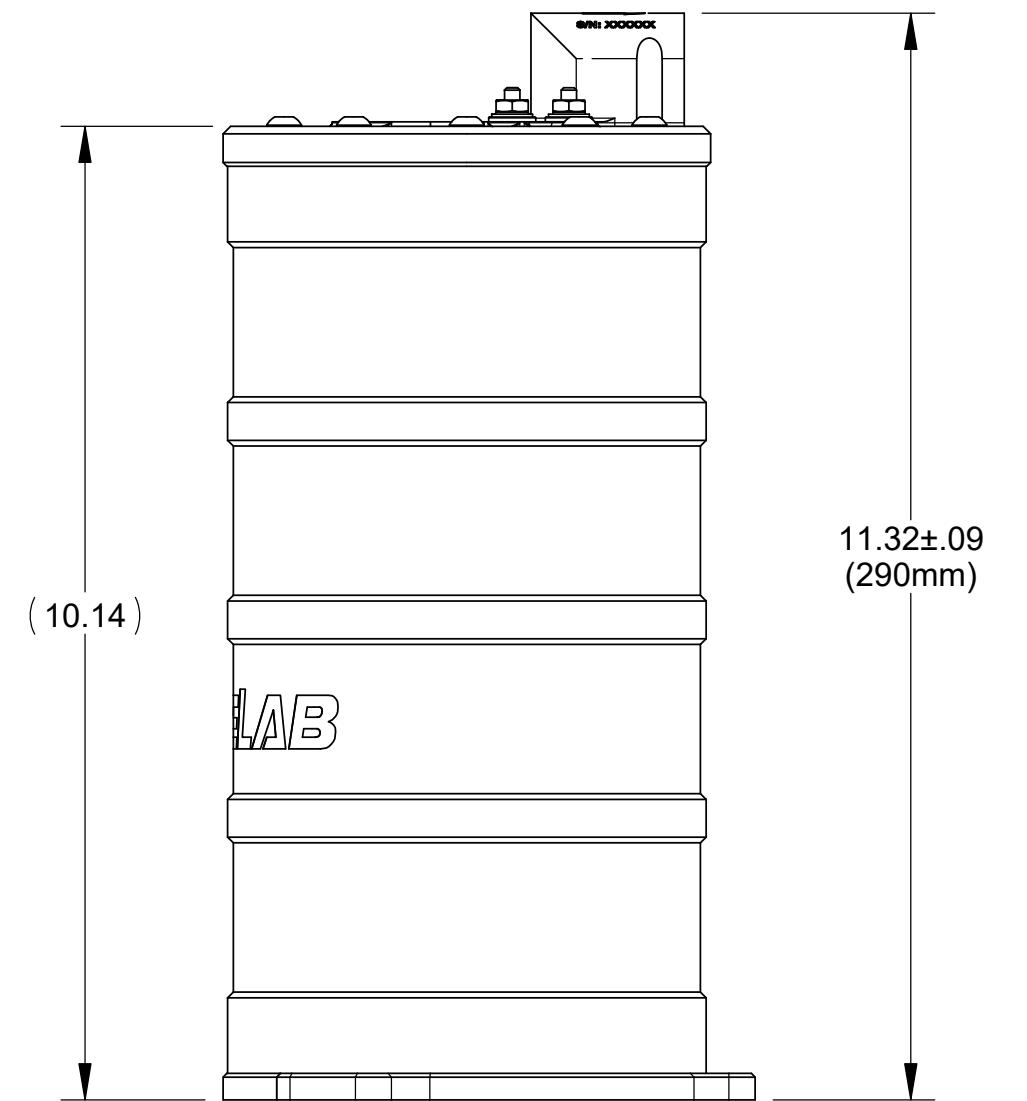


(7.98)

SINGLE -8AN  
FEMALE OUTLET  
PORT (ALL  
MODELS)

9.15±.09  
(235mm)

**MODELS 60701 OR 60702 ONLY  
SHOWN ABOVE**




(10.14)

11.32±.09  
(290mm)

**MODELS 60711 OR 60712 ONLY  
SHOWN ABOVE**

UNLESS OTHERWISE SPECIFIED:  
INTERPRET DWG PER ANSI Y14.5  
DIMENSIONS ARE IN INCHES  
TOLERANCES:  
FRACTIONAL: ±1/64"  
ANGULAR: ±1/2°  
DECIMALS:  
X±1 .XX±.03 .XXX±.010  
SURFACE FINISH 128 ✓ OR BETTER  
BREAK ALL SHARP EDGES .010 MAX  
REMOVE ALL BURRS  
THIRD ANGLE  
PROJECTION

 COLLINSVILLE, ILLINOIS		
TITLE:		
<b>SYSTEM, FUEL SURGE TANK</b>		
SIZE	DWG. NO.	REV
<b>C</b>	<b>114020100</b>	
SCALE: 1/2	WEIGHT:	SHEET: 2 OF 2