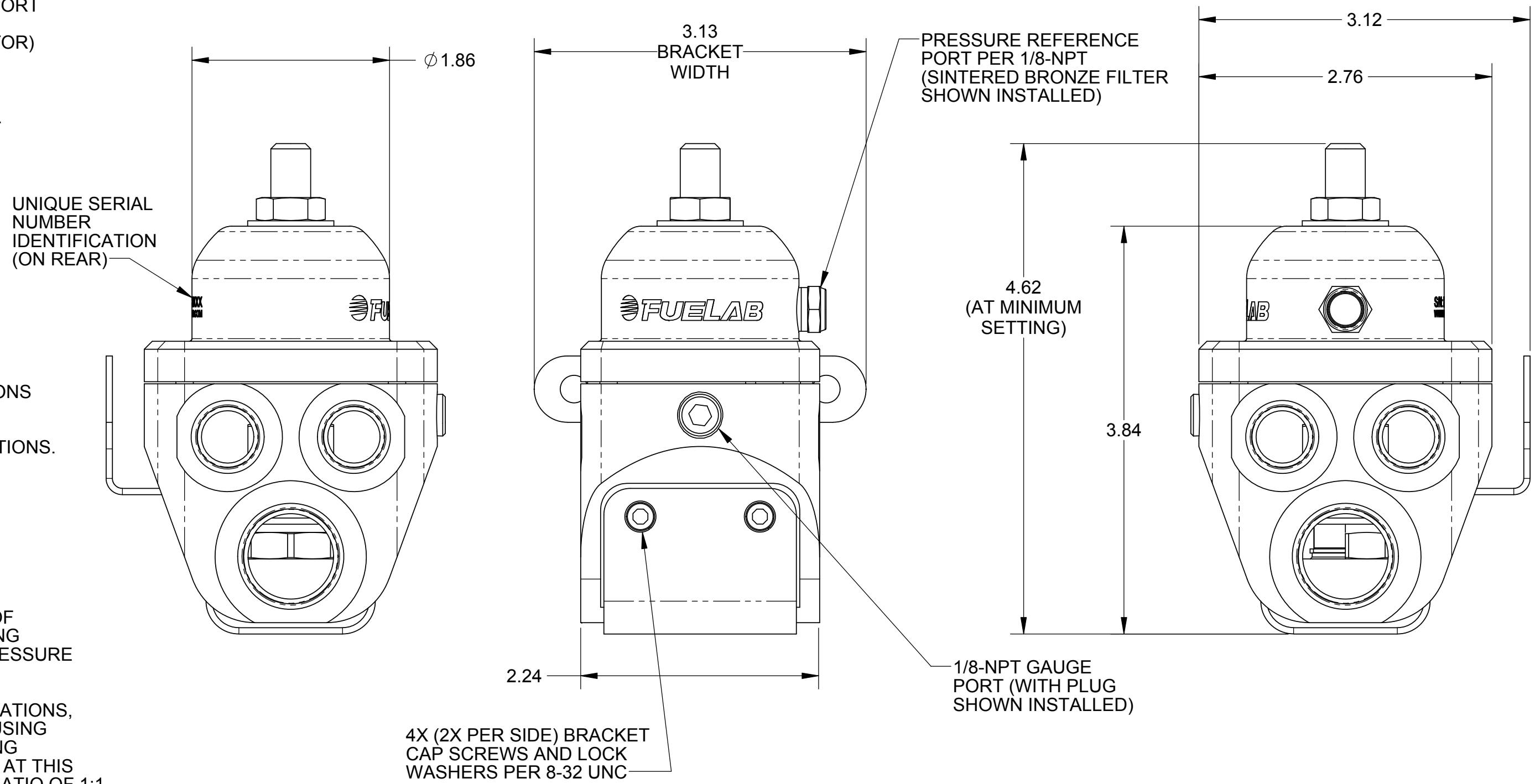
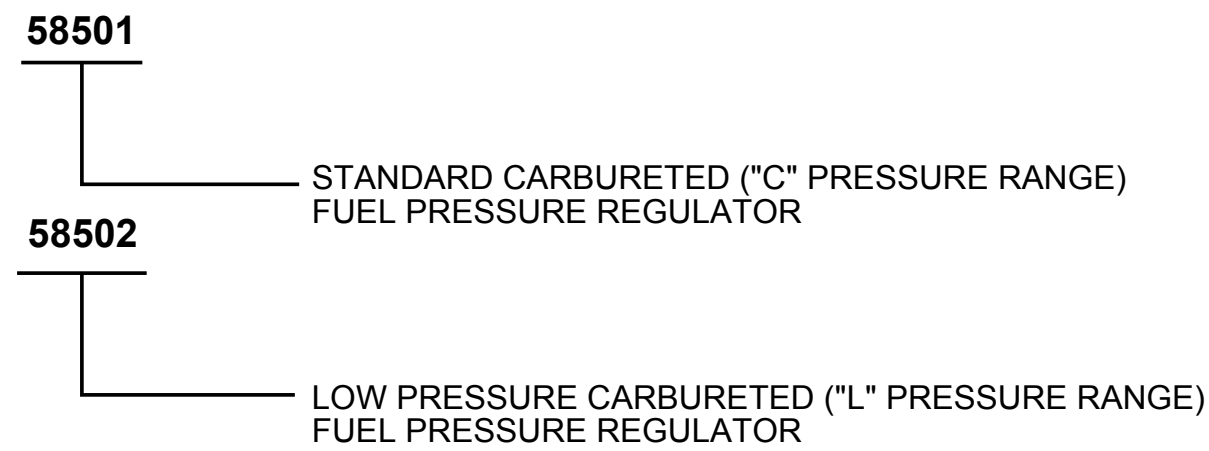


NOTES:

1. THIS DRAWING DESCRIBES THE FUELAB 585xx SERIES MINI FUEL PRESSURE REGULATOR.
2. FEATURES INCLUDE:
 - TWO -10AN INLET PORTS (ON BOTTOM OF REGULATOR), PORT STYLE FITTINGS ARE REQUIRED.
 - FOUR -6AN OUTLET PORTS (ON EITHER SIDE OF REGULATOR)
 - AVAILABLE IN PRESSURE RANGES: "L" AND "C"
 - BILLET ALUMINUM, STAINLESS STEEL CONSTRUCTION WITH FLUOROSILICONE DIAPHRAGM AND SEALS. PLUG AND FILTER ARE MADE OF UNPLATED BRASS OR BRONZE.
3. FUEL COMPATIBILITY INCLUDES:
 - GASOLINE (PUMP OR RACE)
 - METHANOL
 - ETHANOL (INCLUDING E85)
 - DIESEL
4. UNIQUE SERIAL NUMBER DOES NOT CONTAIN DIRECT INFORMATION IN DETERMINING MODEL NUMBER. CONTACT FUELAB FOR DETERMINATION OF MODEL NUMBER BASED ON SERIAL NUMBER.
5. BRACKET, PRESSURE ADJUSTMENT HARDWARE, BRACKET MOUNTING HARDWARE, GAUGE PORT PLUG, FITTING FILTER, 4X -906 AND 2X -910 PORT O-RINGS AND INSTRUCTIONS INCLUDED, BAGGED SEPARATELY FROM REGULATOR.
6. REFERENCE DRAWING 1050208A1 FOR ASSEMBLY INSTRUCTIONS.
7. SEE TABLES BELOW FOR DETERMINATION OF DESIRED MODEL NUMBER.
8. RATED FLOW CAPACITY IS A FUNCTION OF PRESSURE SETTING AS WELL AS INLET PRESSURE CONDITIONS, THEREFORE FLOW CAPACITY MAY BE HIGHER OR LOWER, BUT REPRESENTS TYPICAL CAPACITY. REGULATION SLOPE REFERS TO CHANGES IN FUEL PRESSURE AS A FUNCTION OF CHANGES IN FLOW RATE. AS THE AMOUNT OF FUEL RUNNING THROUGH THE REGULATOR REDUCES, THE REGULATED PRESSURE WILL LOWER, SPECIFIED BY THE REGULATION SLOPE.
9. FOR TYPICAL NATURALLY ASPIRATED CARBURETED APPLICATIONS, PRESSURE REFERENCE PORT IS VENTED TO ATMOSPHERE USING SUPPLIED SINTERED BRONZE FILTER. ALTERNATE PLUMBING METHODS CAN BE EMPLOYED. CHANGES IN AIR PRESSURE AT THIS PORT WILL RESULT IN A CHANGE IN FUEL PRESSURE AT A RATIO OF 1:1.



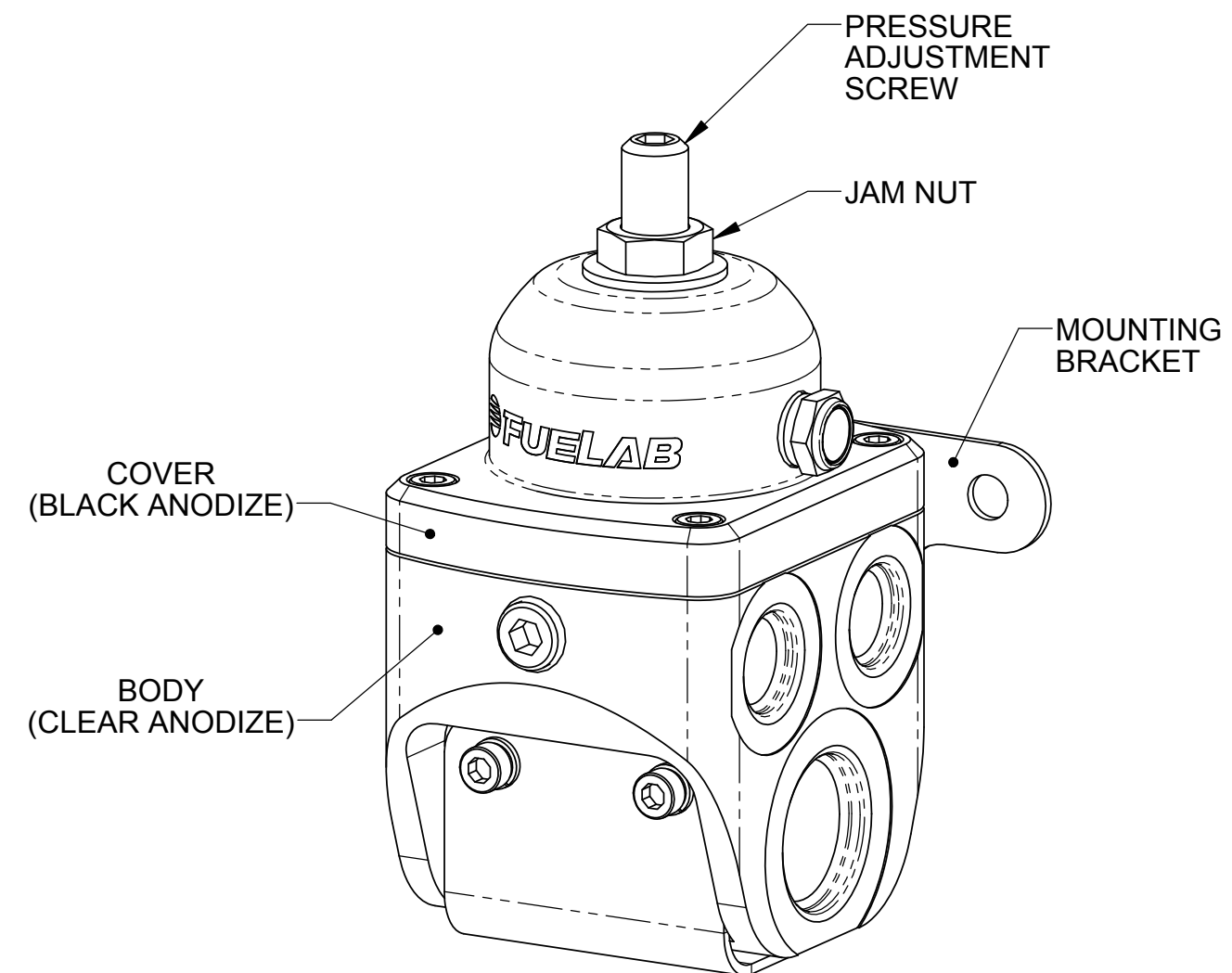
MODEL NUMBER SCHEME:



PERFORMANCE SPECIFICATIONS

MODEL	APPROX. PRESSURE RANGE	APPROX. FLOW CAPACITY	REGULATION SLOPE
58501	4-12 PSID (0.28 - 0.82 BAR)	5.8 GPM (1325 LPH)	0.4 PSI/GPM
58502	2-4 PSID (0.14 - 0.28 BAR)	5.8 GPM (1325 LPH)	0.4 PSI/GPM

8.



**ISOMETRIC VIEW
(ALL VIEWS SHOWN
WITH HARDWARE INSTALLED)**

UNLESS OTHERWISE SPECIFIED:
 INTERPRET DWG PER ANSI Y14.5
 DIMENSIONS ARE IN INCHES
 TOLERANCES:
 FRACTIONAL: ±1/64"
 ANGULAR: ±1/2°
 DECIMALS:
 X±1 .XX±.03 .XXX±.010
 SURFACE FINISH: 128 OR BETTER
 BREAK ALL SHARP EDGES .010 MAX
 REMOVE ALL BURRS

THIRD ANGLE PROJECTION

DO NOT SCALE DRAWING

FUELAB
 DIGITAL FUEL DELIVERY
 Litchfield, Illinois

TITLE:
**REGULATOR,
 585xx SERIES**

SIZE	DWG. NO.	REV
C	105020800	

SCALE: 1/1 WEIGHT: 1.1LB SHEET: 1 OF 1