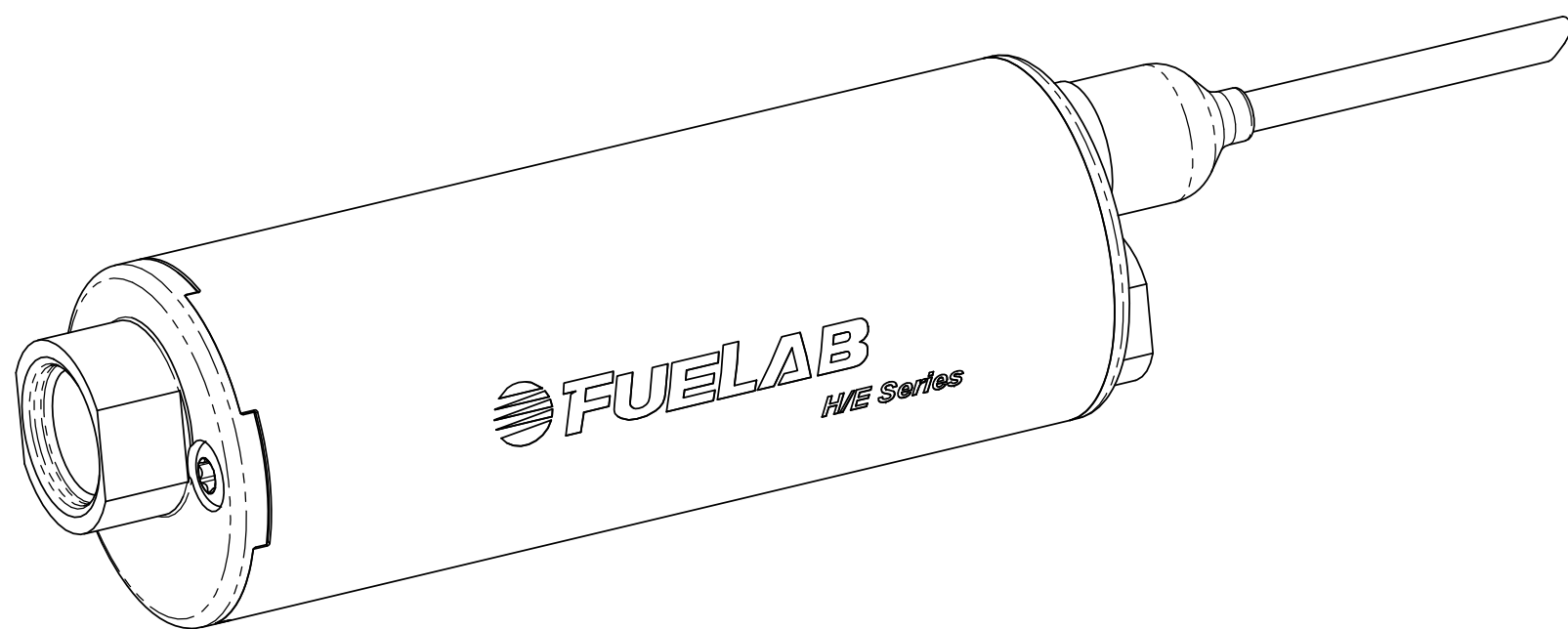
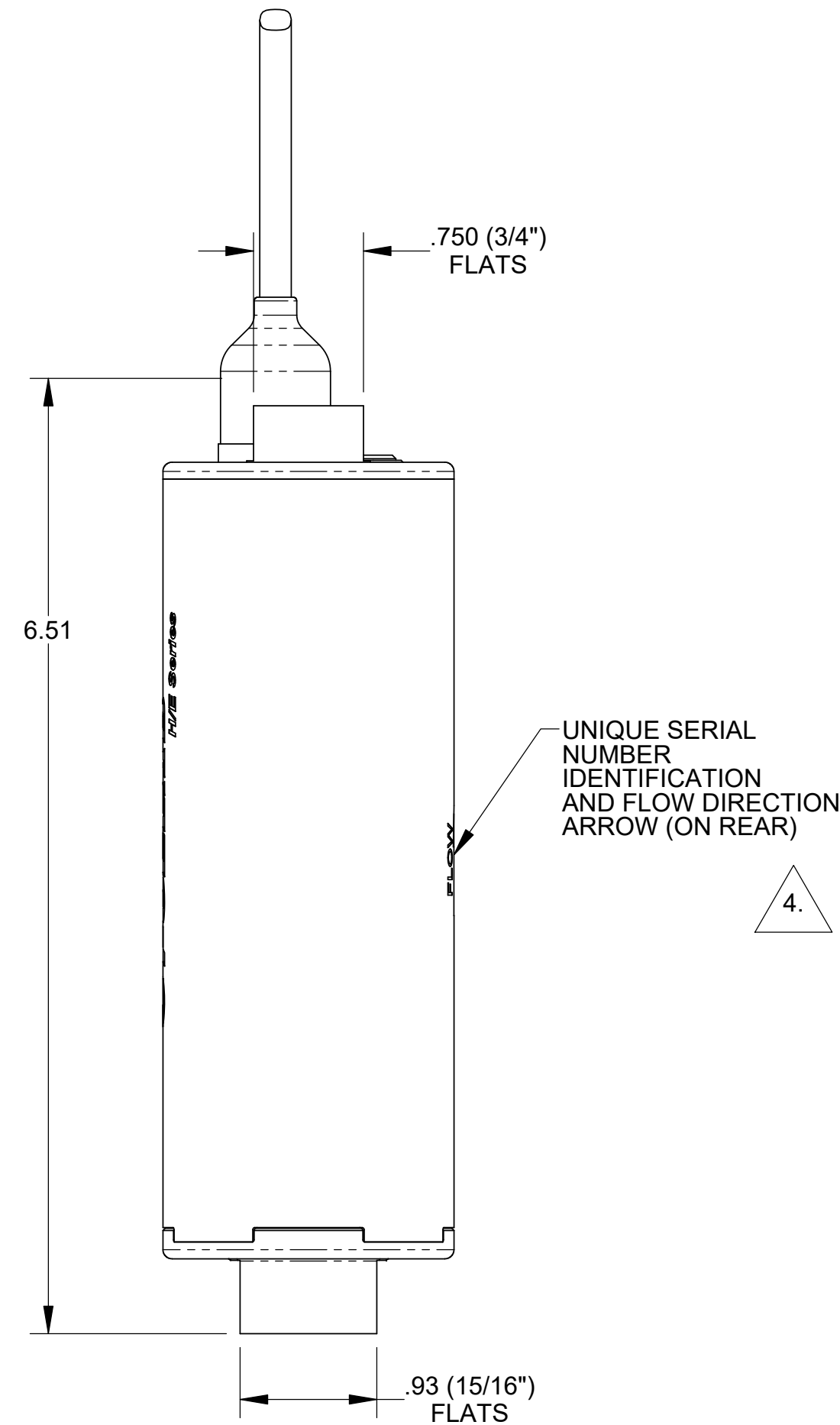
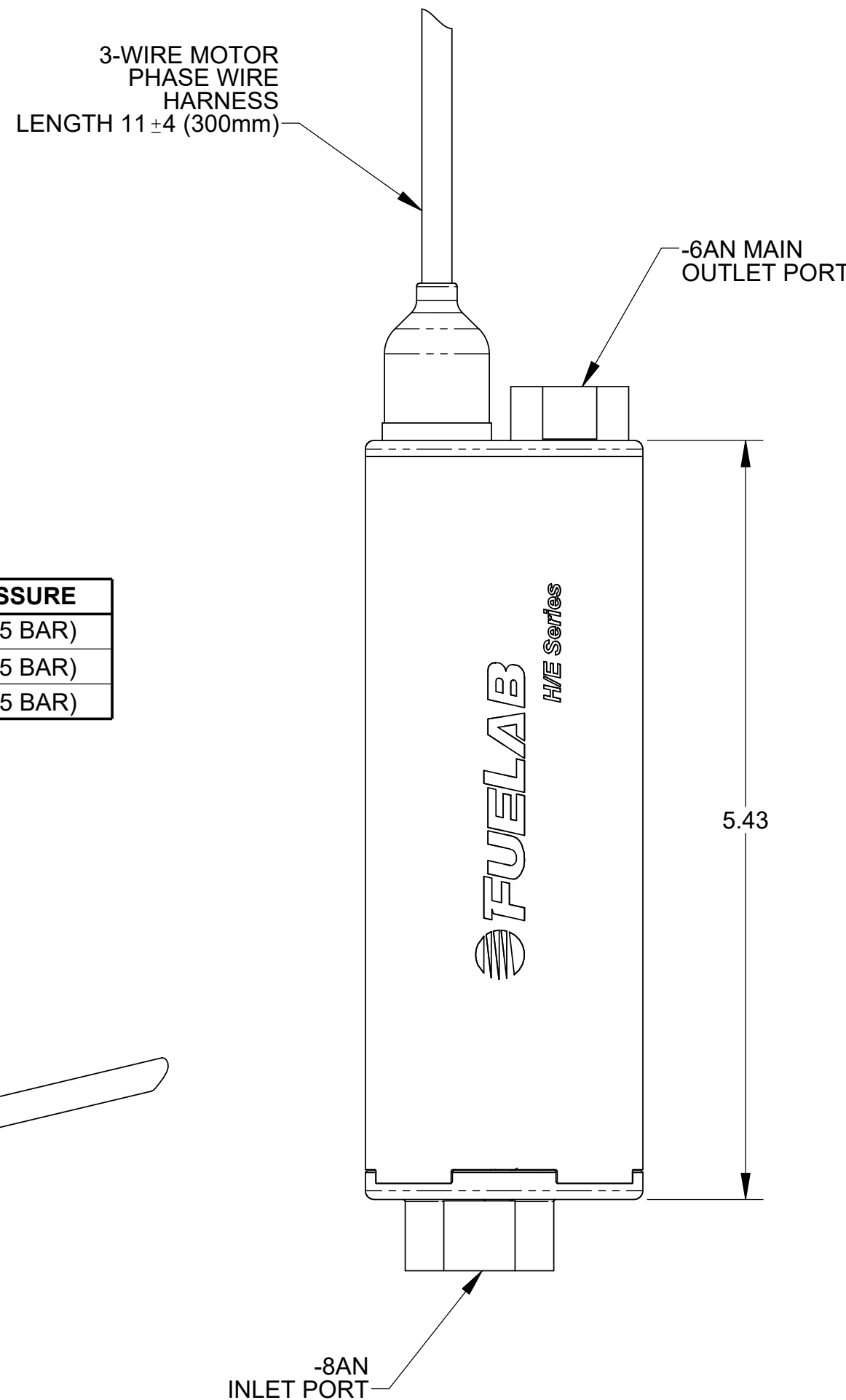
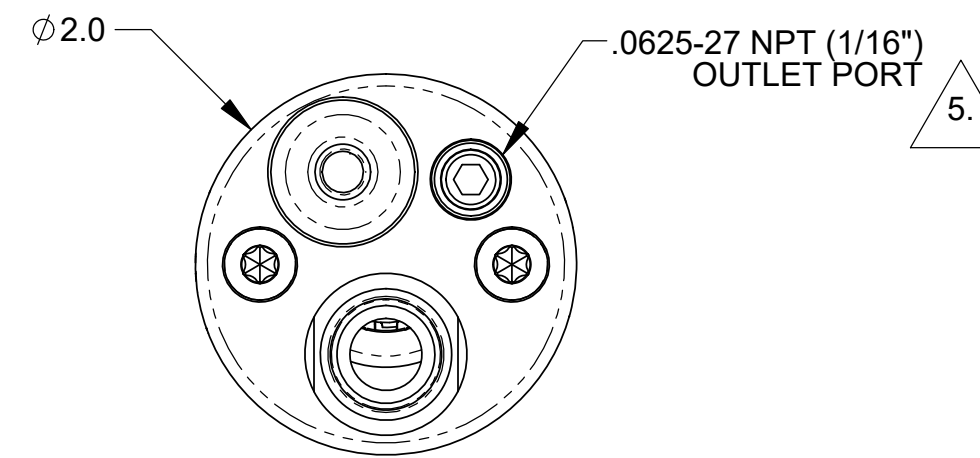


NOTES:


1. THIS DRAWING DESCRIBES THE FUELAB 484xx SERIES ELECTRONIC FUEL PUMP.
2. FEATURES INCLUDE:
 - THREE PHASE DC BRUSHLESS MOTOR WITH NEODYMIUM MAGNETS
 - EXTERNAL CONTROLLER REQUIRED.
 - WET MOTOR DESIGN, WITHOUT DYNAMIC SHAFT SEALS
 - SCREW STYLE PUMPING MECHANISM
 - BILLET ALUMINUM, STAINLESS STEEL CONSTRUCTION WITH FLUOROSILICONE SEALS
3. FUEL COMPATIBILITY INCLUDES:
 - GASOLINE (PUMP OR RACE)
 - METHANOL
 - ETHANOL (INCLUDING E85)
 - DIESEL
4. UNIQUE SERIAL NUMBER DOES NOT CONTAIN DIRECT INFORMATION IN DETERMINING MODEL NUMBER. CONTACT FUELAB FOR DETERMINATION OF MODEL NUMBER BASED ON SERIAL NUMBER.
5. PORT O-RINGS, INSTRUCTIONS AND PERFORMANCE CERTIFICATION INCLUDED, BAGGED SEPARATELY FROM PUMP. PORT PLUG FOR .0625-27 NPT AUXILIARY JET PUMP (EDUCTOR) PORT HAS PLUG INSTALLED.
6. USE OF EXTERNAL MOTOR CONTROLLER IS REQUIRED USING THREE-WIRE PHASE OUTPUT EMPLOYING NON-SENSOR (SENSORLESS) DRIVE TECHNIQUES. COMPATIBLE WITH 720xx SERIES CONTROLLER.
7. ALL MODEL 484xx SERIES PUMPS REQUIRE BYPASS REGULATOR OR RELIEF VALVE TO AVOID OVER-PRESSURE OPERATING CONDITION.
8. SEE TABLE BELOW FOR DETERMINATION OF DESIRED MODEL NUMBER.

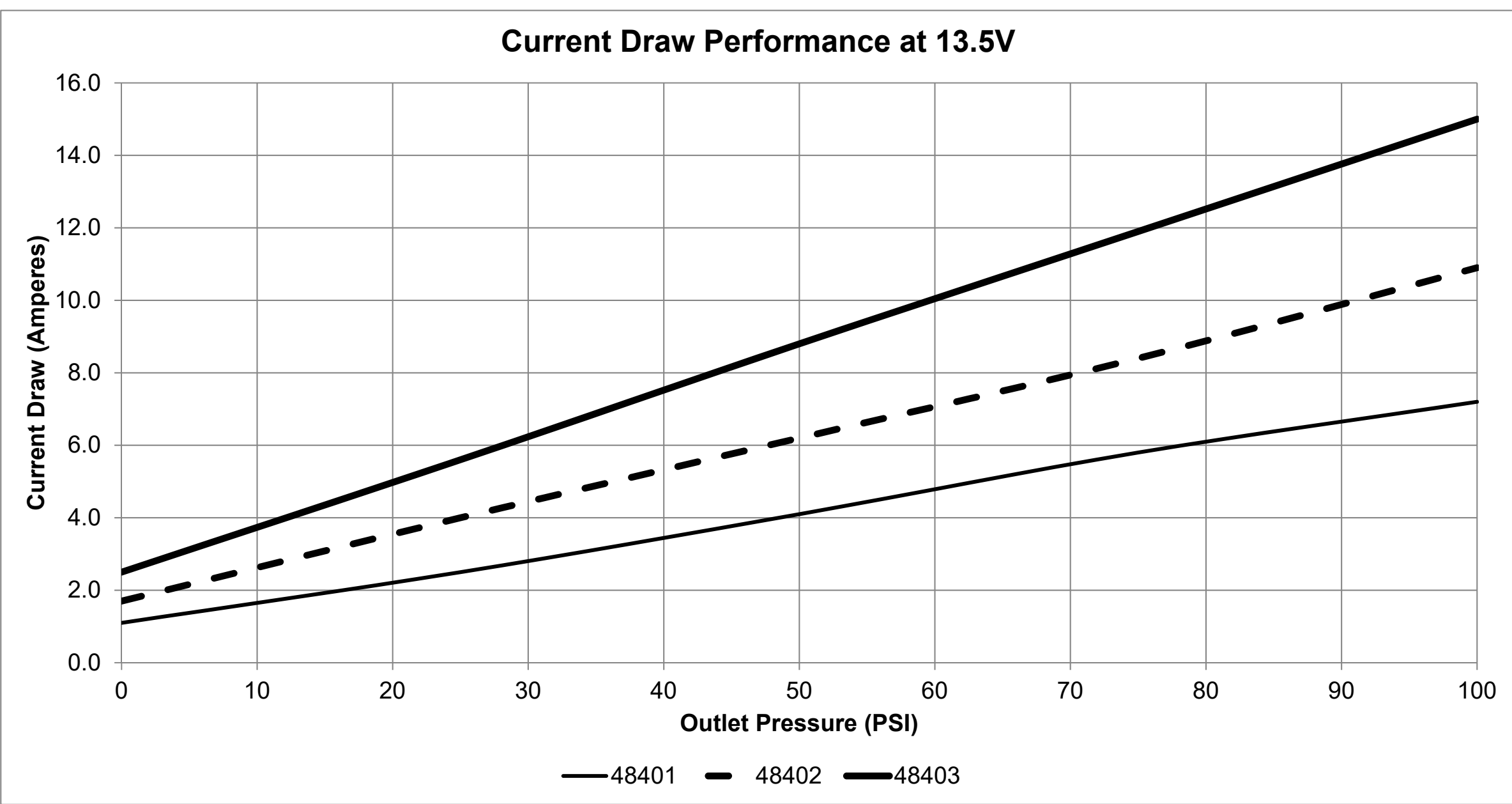
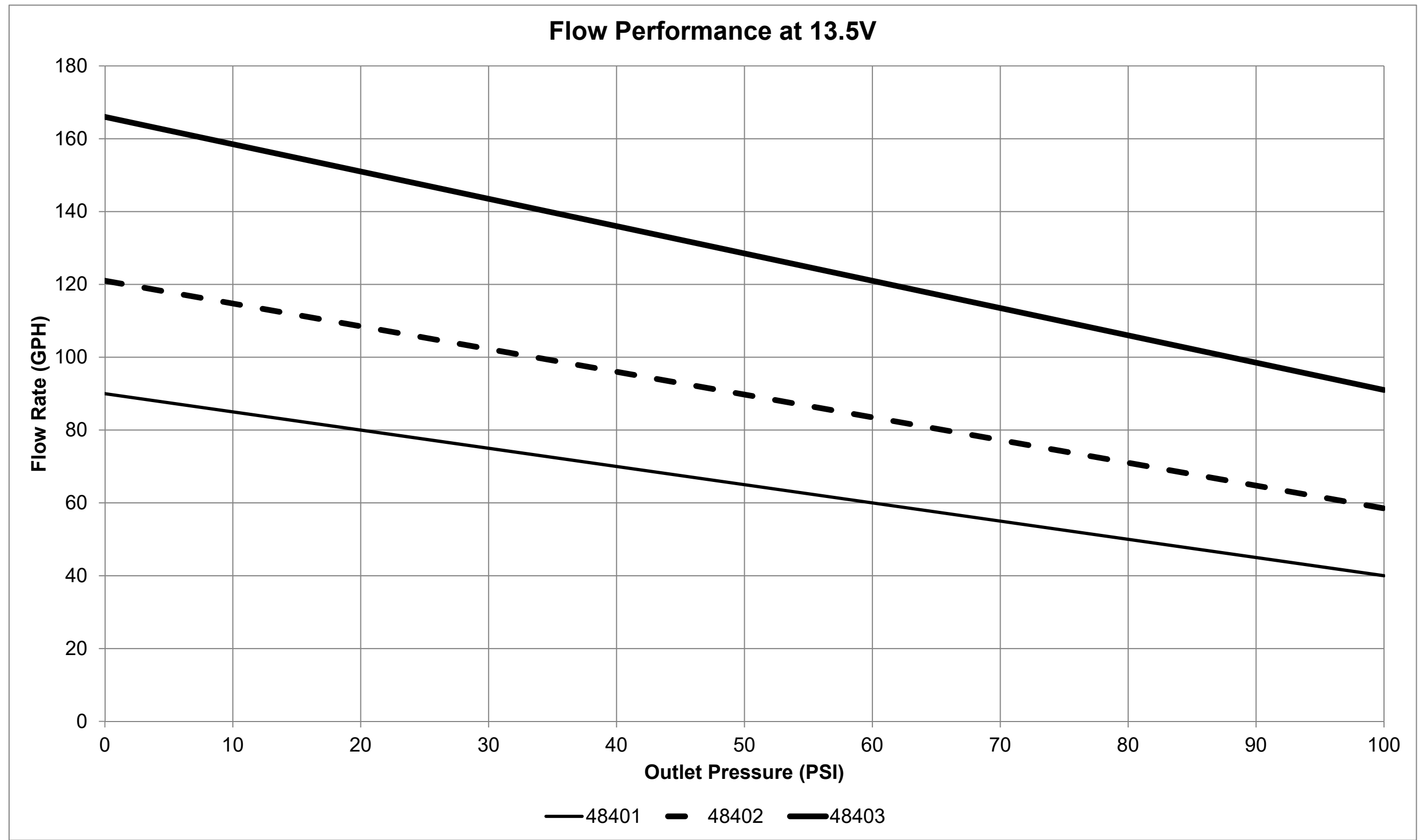
MODEL SELECTION TABLE

MODEL	FLOW RATING, AT 13.5v	FLOW RATING, AT 13.5v	MAX. PRESSURE
48401	66 GPH AT 45 PSI	250 LPH AT 3.0 BAR	125 PSI (8.5 BAR)
48402	92 GPH AT 45 PSI	350 LPH AT 3.0 BAR	125 PSI (8.5 BAR)
48403	132 GPH AT 45 PSI	500 LPH AT 3.0 BAR	125 PSI (8.5 BAR)



ISOMETRIC VIEW

UNLESS OTHERWISE SPECIFIED:		 FUELAB <small>DIGITAL FUEL DELIVERY</small> Collinsville, Illinois	
INTERPRET DWG PER ANSI Y14.5 DIMENSIONS ARE IN INCHES TOLERANCES: FRACTIONAL: ±1/64" ANGULAR: ±1/2° DECIMALS: X ± 1 .XX ± .03 .XXX ± .010 SURFACE FINISH: 128 OR BETTER BREAK ALL SHARP EDGES: .010 MAX REMOVE ALL BURRS		TITLE: ELECTRONIC FUEL PUMP, 484xx SERIES	
SIZE: C	DWG. NO.: 110020800	REV:	
DO NOT SCALE DRAWING		SCALE: 1/1	WEIGHT: 1.4LB SHEET: 1 OF 2



UNLESS OTHERWISE SPECIFIED: INTERPRET DWG PER ANSI Y14.5 DIMENSIONS ARE IN INCHES TOLERANCES: FRACTIONAL: ±1/64" ANGULAR: ±1/2° DECIMALS: X±1 .XX±.03 .XXX±.010 SURFACE FINISH $\sqrt{128}$ OR BETTER BREAK ALL SHARP EDGES .010 MAX REMOVE ALL BURRS		FUELAB DIGITAL FUEL DELIVERY Collinsville, Illinois	
THIRD ANGLE PROJECTION		TITLE: ELECTRONIC FUEL PUMP, 484xx SERIES	
C	SIZE DWG. NO.	REV	
SCALE: 1/1	WEIGHT: 1.4LB	SHEET: 2 OF 2	