



Model Number 25314  
In-Tank Fuel Pump Kit

## Operating and Installation Instructions

### **CAUTION!**

This product is to be installed only by persons knowledgeable in the repair and modification of vehicle fuel systems and general vehicle systems modification. Only a qualified technician or mechanic who is aware of applicable safety procedures and fabrication skills should perform the installation of this product.

This fuel pump utilizes an electronic DC motor system that is not typical of conventional fuel pumps, and therefore extra precautions must be adhered to as contained in instructions herein

### **GASOLINE AND OTHER FUELS ARE FLAMMABLE AND CAN BE EXPLOSIVE!**

Perform the installation in a well-ventilated location only to minimize the buildup of fuel vapors. **NO** open flames, smoking or other sources of ignition are to be present during installation, to prevent fire or explosion that can cause serious injury or death. Grinding, cutting, and drilling must be performed with care to prevent ignition. Draining and removal of all fuel and ventilation of vapors in vehicle and fuel system is recommended when performing such procedures. Proper eye and personal protection are always required during installation.

### **WARNING!**

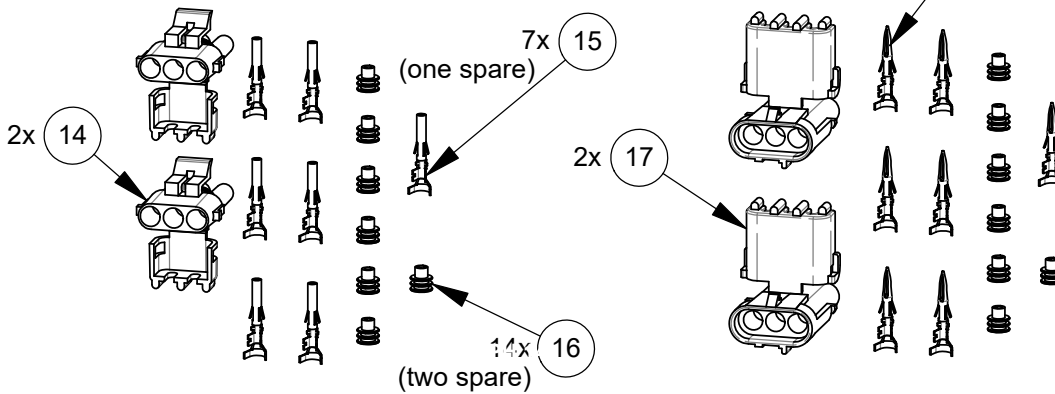
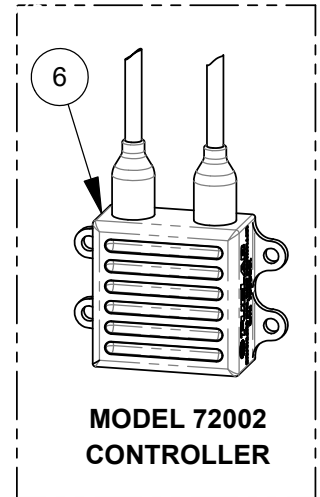
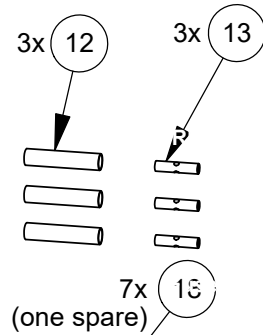
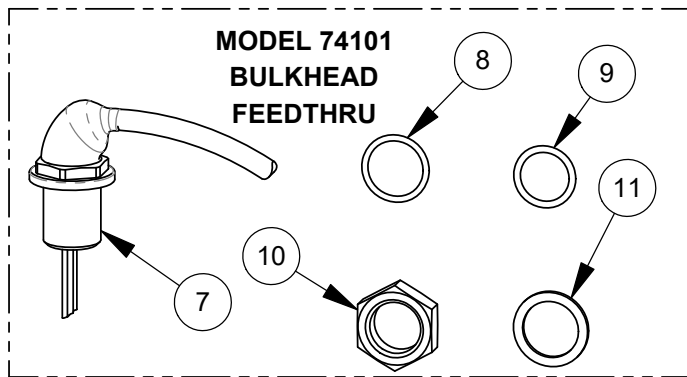
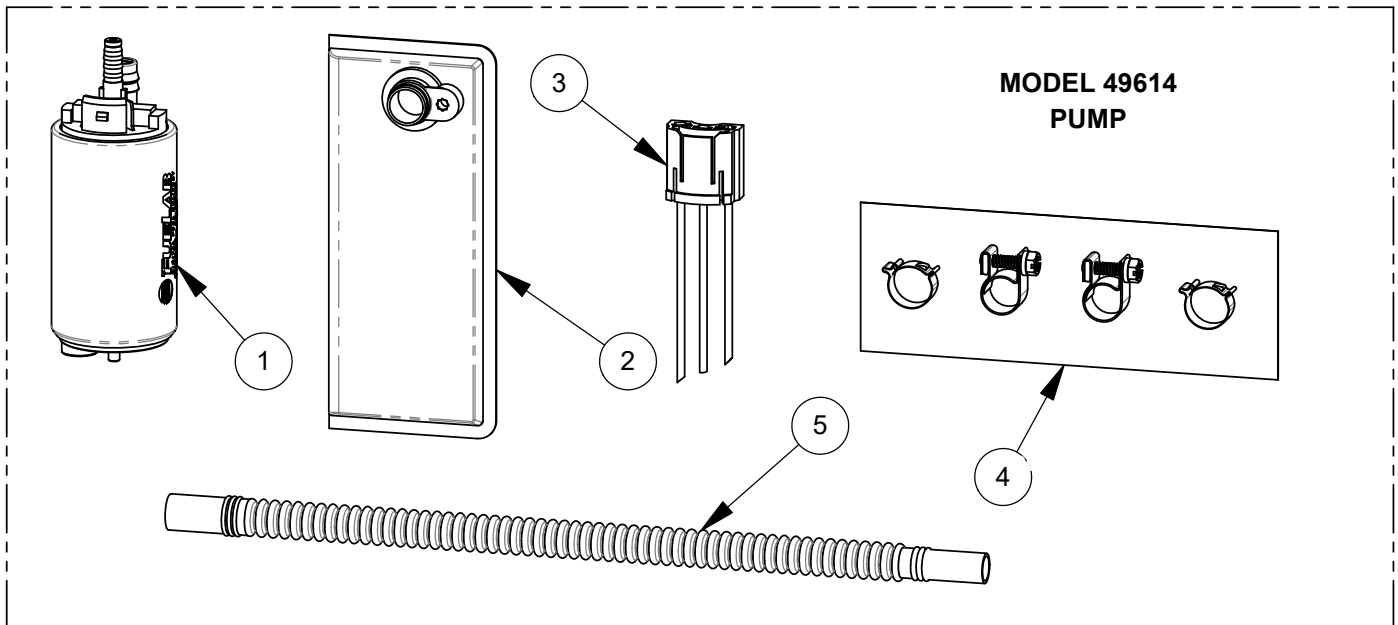
The Vehicle's fuel system may be under pressure! Do not loosen any fuel connections until relieving all fuel system pressure. Consult an applicable service manual for instructions to relieve fuel system pressure safely.

This product is intended for racing, off-road, or marine use only. This fuel system component may not be legal for sale or use on emission-controlled motor vehicles; consult local, state, and national laws.

#### **Product Contents:**

Verify the contents of this box, against list of components below and on the next sheet, to ensure that nothing is missing. Contact your Fuelab® distributor immediately for replacement. This kit includes Fuelab® Models 49614 Fuel Pump, 72002 Controller, and 74101 Bulkhead Feedthru. Consult those included instructions for reference during the installation of this kit, including performance features, specifications, and ratings.

ITEM	Description	Qty
1	Model 49614 In-Tank Fuel Pump	1
2	Inlet Straining Filter	1
3	Fuel Pump Electrical Connector	1
4	Bagging of Outlet Hose Clamps	1
5	Outlet Nylon Fuel Line (additional line required for Jet Pump Usage)	1
6	Model 72002 DC Brushless Fuel Pump Controller with PWM Speed Control	1
7	Bulkhead Feedthru	1
8	Panel Mount O-ring (Size 19mm I.D. x 2mm C.S., Thinner)	1
9	Boss Mount O-ring (Size -908, Thicker)	1
10	Nut	1
11	Flat Washer	1
12	Fuel Resistant Shrink Wrap Segment	3
13	Wire Splice	3
14	Delphi (Aptiv) 3-Conductor Weather Pack Female Connector Shroud	2
15	Female Terminal for Delphi Connector (one is a spare)	7
16	Wire Seal (14 total used for both styles of connectors, two are spares)	14
17	Delphi (Aptiv) 3-Conductor Weather Pack Male Connector Shroud	2
18	Male Terminal for Delphi Connector (one is a spare)	7



Check above diagram and list shown on previous page, to ensure no components are missing or damaged. Contact your Fuelab® distributor immediately for replacement.

**FOLLOW ALL INSTRUCTIONS HEREIN. INSTRUCTIONS BOXED WITHIN PUMP, CONTROLLER AND BULKHEAD FEEDTHRU ARE NEEDED TO COMPLETE INSTALLATION. ALL SETS OF INSTRUCTIONS CONTAIN IMPORTANT INFORMATION!**