

Operating and Installation Instructions

CAUTION!

This product is to be installed only by persons knowledgeable in the repair and modification of vehicle fuel systems and general vehicle systems modification. Only a qualified technician or mechanic who is aware of applicable safety procedures should perform the installation of this product.

GASOLINE AND OTHER FUELS ARE FLAMMABLE AND CAN BE EXPLOSIVE!

Perform the installation in a well ventilated location only to minimize the build up of fuel vapors. **NO** open flames, smoking or other sources of ignition are to be present during installation, to prevent fire or explosion that can cause serious injury or death. Grinding, cutting, and drilling must be performed with care to prevent ignition. Draining and removal of all fuel and ventilation of vapors in vehicle and fuel system is recommended when performing such procedures. Proper eye and personal protection is required at all times during installation.

WARNING!

The Vehicle's fuel system may be under pressure! Do not loosen any fuel connections until relieving all fuel system pressure. Consult an applicable service manual for instructions to relieve fuel system pressure safely.

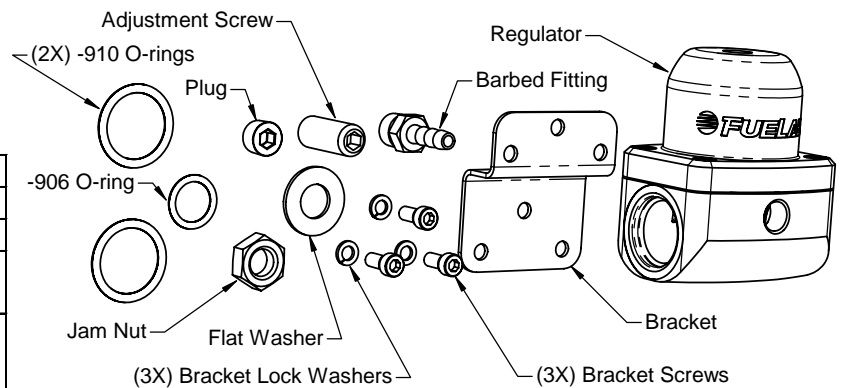
This product is intended for racing, off-road, or marine use only. This fuel system component is capable of altering engine tuning and therefore not legal for sale or use on emission controlled motor vehicles.

Product Contents:

Check the diagram and list of components (right) to ensure that no components are missing from box. Contact your Fuelab distributor immediately for replacement.

51503 Features and Performance Ratings:

Inlet Port Sizes	-10AN Military Port
Seat Size	Large
Regulation Slope	0.75 PSI/GPM
Maximum Flow Capacity	2.5 GPM at 5 PSID (570 LPH at 0.35 Bar)
Pressure Adjustment Range	Pressure Range "E" 4-12 PSID (0.28-0.82 Bar)



WARNING! Exceeding maximum flow capacity may result in an over-pressure operating condition.

Before Installation, Plan Entire Fuel System:

These instructions are limited to general topics of regulator component installation and may not include specific information pertaining to your application. These instructions are written assuming the use of an electric fuel pump capable of at least 15 PSIG outlet pressure and limited to the specified *Maximum Flow Capacity* (above). This regulator has an internal spring that can be changed for other pressure ranges, including "L" range, for 1.5-3.5 PSID, "T" range for 10-25 PSID, if required by the specific application. Higher, fuel injection pressure ranges are recommended for a different model of regulator (unless for very high flow EFI applications). Visit our company website for specific details pertaining to example fuel systems and other solution ideas. Additional information including advanced troubleshooting, any special alerts and FAQ's pertaining to this and other products is also available.

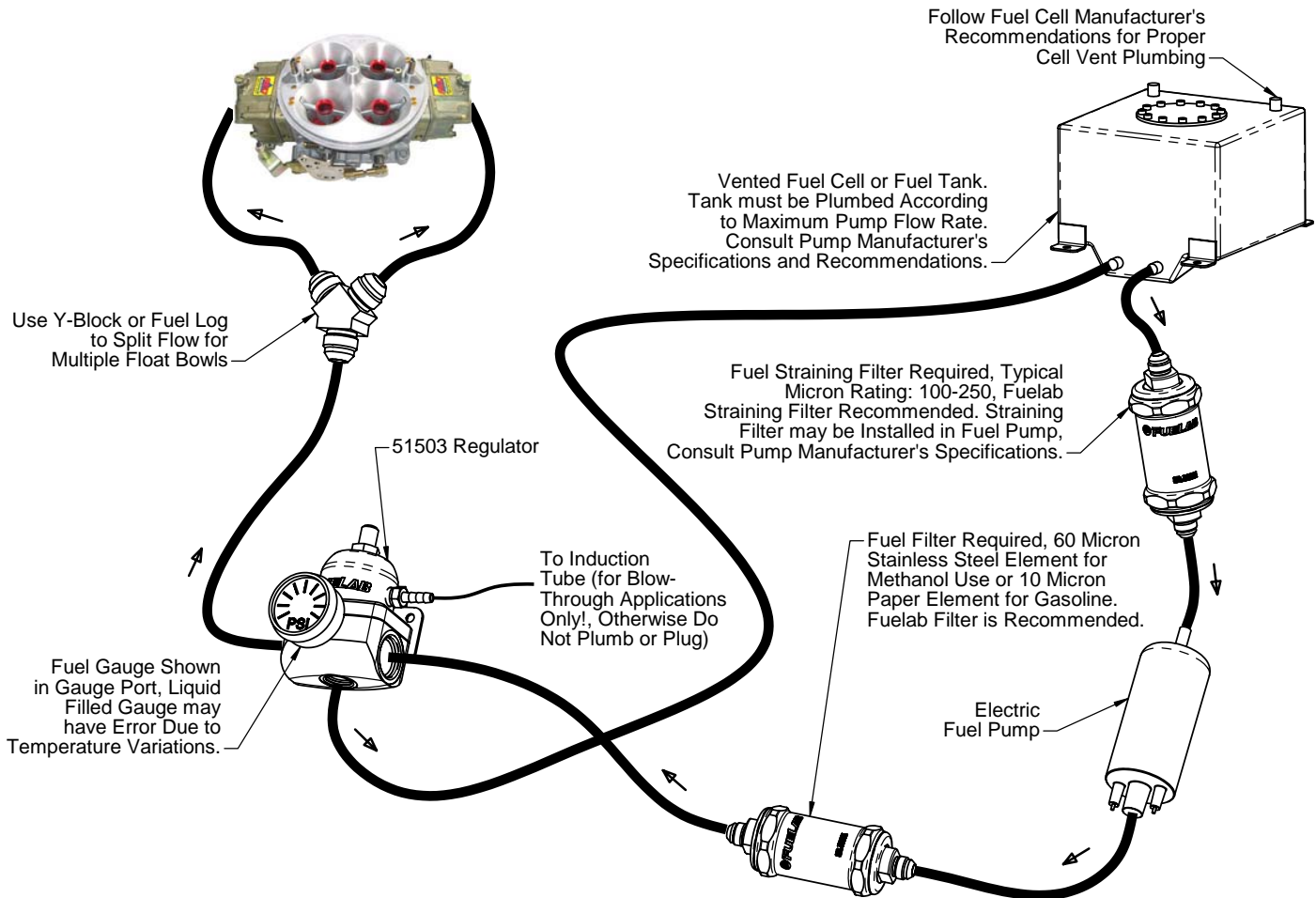
General Regulator Performance Notes:

The notation "PSIG" means pressure in Pounds per Square Inch (PSI) relative to the prevailing atmospheric condition or outside air. This is referred to as Gauge Pressure. The notation "PSID" means pressure in PSI relative to another pressure source or called the Differential Pressure (relative to *Pressure Reference Port* in case of pressure ratings). This regulator acts as a relief valve to control pressure (returning fuel back to fuel cell). Only "blow-through" boosted applications for carbureted systems should have a line plumbed to the pressure reference port. The amount of pressure difference to expect with application of full throttle compared to idle (for naturally aspirated engines) is a function of how much flow the engine is using (reference *Regulation Slope*, above for calculations).

Plumbing Planning Notes:

Minimize plumbing restrictions between carburetor(s) and regulator for peak performance. Use -6AN (3/8") to -10AN (5/8") line as required per flow rate requirements of the vehicle's engine and fuel pump. See company website for nitrous oxide use and alternate plumbing schematics. Plumb the return line back to the fuel tank. Use of a -8AN (1/2") return line is typically recommended for this model of regulator. See diagram on next page as well as diagram below, to identify the ports used on the regulator. The two side ports can be interchanged either Outlet or Inlet, since this valve operates as a relief valve (pressure is relieved from the regulator out to the rest of the fuel system, by returning unused fuel back to the fuel cell). Plumb the Pressure Reference Port using the barbed fitting for "blow-through" carbureted applications only (blow-through means that a turbo or supercharger is used to pressurize the carburetor(s)). When this occurs, fuel pressure must be compensated by the change in float bowl pressure. If motor is naturally aspirated (Normal carbureted application, with float bowl vented to atmosphere) allow this port to vent to atmosphere, do not plug or plumb to any pressure source. The fuel line used must handle high pressure. The use of fuel line such as stainless steel braided line and "AN" style fitting connections is recommended. The fuel ports (two -10AN Inlet-Outlet Ports and one -6AN Return Port) use "AN" or "military" style fittings. This plumbing standard is commonly used with racing and high performance applications. See step 6 on next page for additional information on this port standard. A fuel filter with a 60 micron or lower particle rating is required to be used upstream of regulator and downstream from fuel pump to protect it and the carburetor from foreign object damage. Reference the Schematic Diagram below for filter locations. Use of a liquid filled gauge exposed to engine compartment heat is not recommended as the liquid inside the gauge may exert measurement errors. **DO NOT** plumb gauge port to any gauge mounted inside the vehicle or in passenger compartment. A line burst can spill fuel inside passenger compartment and on occupants, possibly causing serious injury or death. An electric gauge or pressure transducer system is recommended for readings in a passenger compartment.

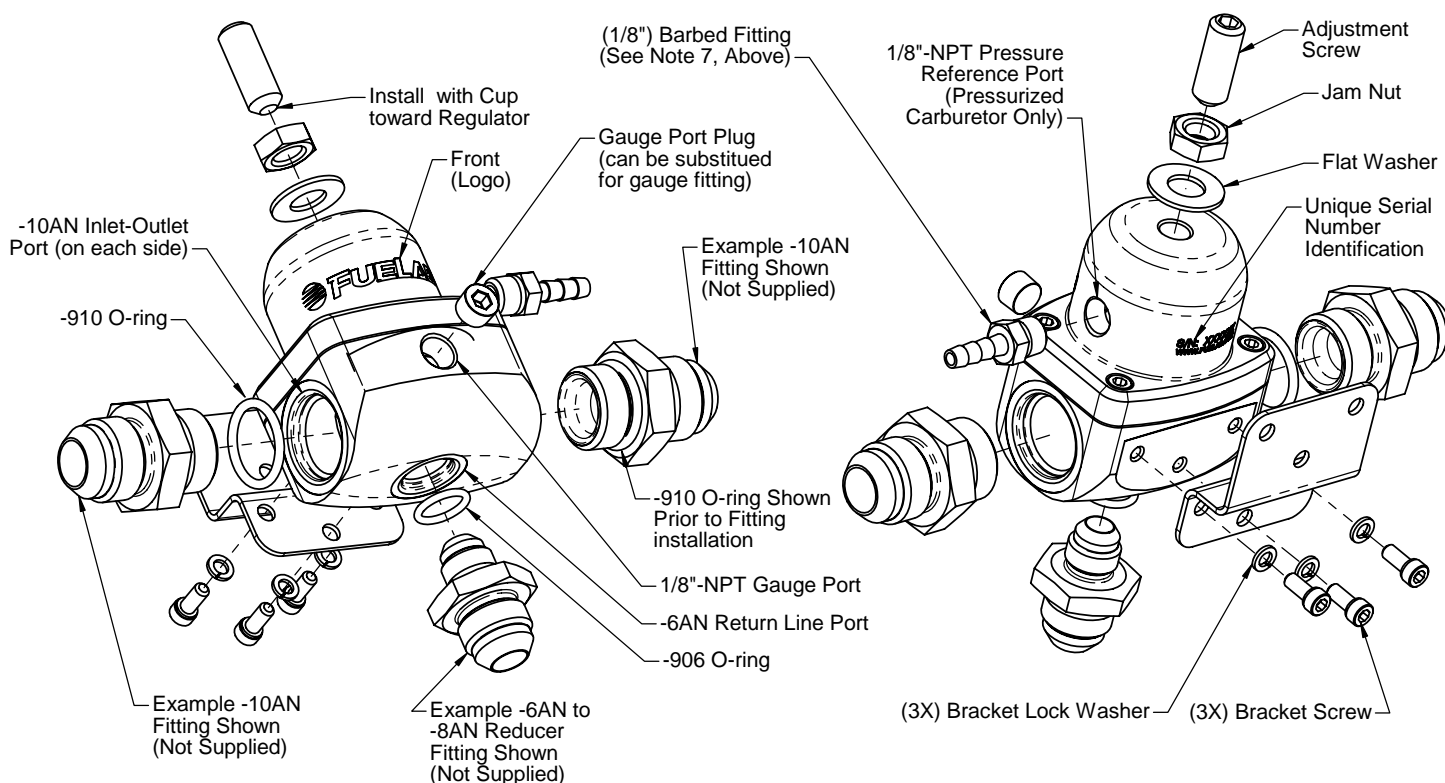
Typical Carbureted Fuel System Schematic Diagram:



Installation Steps:

1. Disconnect the ground terminal from battery and allow the vehicle's engine and exhaust system to cool. Relieve fuel system per applicable service manual. Follow all Warnings and Cautions written on previous page of these instructions.
2. Modify, remove or replace other fuel system components as required per established build plan (reference notes on previous page and above).

3. Use the supplied bracket as a drilling template to mark holes for mounting bracket. Choose a location that minimizes exposure to excessive heat, near carburetor(s). Mounting bracket can be modified as required. Use clear or colored enamel paint to protect bracket surface after any modification.
4. Apply light oil onto the threads of the *Adjustment Screw*. Small amounts of air leakage in the adjustment hardware may be present during operation. This is a normal operating condition. Thread the *Adjustment Screw* by hand until a slight tension is felt, this position is the minimum pressure setting. Do not tighten screw any further. Pressure is to be adjusted later in these instructions. Install the *Flat Washer*, then the *Jam Nut*. Tighten the *Jam Nut* hand tight for later adjustment.
5. Install Bracket to regulator using supplied *Bracket Screws* and *Bracket Lock Washers*. Tighten *Bracket Screws* between 25-40 in-oz of torque (snug, do not over tighten screws).
6. Install the fuel fittings (not supplied). The threads used on these *Fuel Ports* are not tapered or pipe threads. Do not use Teflon® thread tape or thread sealant on these threads, as this can cause leakage or introduce debris into the fuel system. Fittings to be used with these style of ports require use of the enclosed -910 and -906 *O-rings* for proper sealing (reference diagrams, below). Use light oil to lubricate the *O-rings* just prior to installation. Install the *O-rings* onto the fuel fitting first. Position the *O-ring* in the thread relief of the fitting as shown in the diagram, below. Thread fitting into regulator and tighten between 5 and 15 ft-lbs of torque.
7. Use Teflon® tape or thread sealant on all 1/8"-NPT fittings to be used for the *Gauge Port* and *Pressure Reference Port* (see diagrams, below). Install fittings or plug as required. If pressure reference port is not plumbed to the induction tube (for pressurized carbureted system only) then install the *Barbed Fitting* (supplied) and allow fitting to vent to atmosphere (do not plumb or plug port).
8. Install regulator assembly into vehicle, fastening the bracket to the vehicle. Attach fuel lines, *Gauge Port* line (if external pressure gauge is used in application) and *Pressure Reference Port* line (if applicable). Boosted applications (such as turbo or supercharger) will require a hose clamp on barbed fitting to prevent hose from coming loose. Use of -3AN or -4AN line can also be used as a substitute to the barbed fitting.



9. Inspect fuel system for any contact of fuel lines or wires with other components that can cause chafing or rubbing. Secure all components and fuel lines.
10. Connect the vehicle's battery. Turn on fuel pump (typically by bypassing fuel pump relay) without engine operating. The pump will have to operate several seconds (30+) to prime and drive air out of the fuel system. Fuel system pressure should read about 4 to 5 PSIG (use an external gauge for adjustment if a permanent gauge is not used). If the pressure is higher than desired pressure, re-inspect the return line for restrictions. Inspect vehicle for any leaks. Turn off fuel system and repair any leaks that may be present before continuing.
11. When adjusting pressure, be sure that fuel pump is operating to monitor pressure. Increase pressure by rotating adjustment clockwise. Do not thread *Adjustment Screw* past jam nut within 1/8". Over tightening the adjustment screw can damage the regulator.
12. After final adjustment of fuel pressure, tighten *Jam Nut*. Road test vehicle, and retest pressure upon return to ensure accurate adjustment.

LIMITED LIFETIME WARRANTY

FUELAB, a division of FCP, Inc., having its principal place of business at **1605 Eastport Plaza Drive, Suite 125, Collinsville, IL 62234, USA** ("Manufacturer") warrants its **FUELAB** products (the "Products") as follows:

1. Limited Lifetime Warranty

Manufacturer warrants that the Products sold hereunder will be free from defects in material and workmanship from the date of purchase for so long as the original purchaser owns the Products. This Limited Lifetime Warranty does not extend to any subsequent owner or transferee of the Products. If the Products do not conform to this Limited Lifetime Warranty during the warranty period (as herein above specified), Buyer shall notify Manufacturer in writing of the claimed defects and demonstrate to Manufacturer's satisfaction that said defects are covered by this Limited Lifetime Warranty. If the defects are properly reported to Manufacturer within the warranty period, and the defects are of such type and nature as to be covered by this Limited Lifetime Warranty, Manufacturer shall, at its option and own expense, furnish replacement Products or replacement parts for the defective Products or refund the purchase price. Removal of Products from vehicle, shipping to Manufacturer and installation of the replacement Products or replacement parts shall be at purchaser's expense. (*Vehicle means any automotive, bike or marine transportation device powered by an internal combustion engine to which the Product is attached. This Product is **NOT** intended or designed for use on aircraft, experimental or otherwise.*)

2. Other Limits

THE FOREGOING IS IN LIEU OF ALL OTHER WARRANTIES, EXPRESS OR IMPLIED, INCLUDING BUT NOT LIMITED TO THE IMPLIED WARRANTIES OF MERCHANTABILITY AND FITNESS FOR A PARTICULAR PURPOSE. This Limited Lifetime Warranty does not cover any damage due to: (a) transportation; (b) storage; (c) improper use; (d) failure to follow instructions for the Products or to perform any preventive maintenance; (e) modification; (f) unauthorized repair; (g) normal wear and tear; or (h) external causes such as accidents, abuse, or other actions beyond Manufacturer's reasonable control. This Limited Lifetime Warranty also does not apply to Products upon which repairs have been effected or attempted by persons other than pursuant to written authorization by Manufacturer. This Limited Lifetime Warranty is not extended if we repair or replace the Products.

3. Exclusive Obligation

THIS LIMITED LIFETIME WARRANTY IS EXCLUSIVE. The sole and exclusive obligation of Manufacturer shall at its option be to repair or replace the defective Products in the manner and for the period provided above or to refund the purchase price. Manufacturer shall not have any other obligation with respect to the Products or any part thereof, whether based on contract, tort, strict liability or otherwise.

4. Other Statements

ORAL OR OTHER WRITTEN STATEMENTS BY MANUFACTURER'S EMPLOYEES, REPRESENTATIVES AND/OR RESELLERS DO NOT CONSTITUTE WARRANTIES, SHALL NOT BE RELIED UPON BY BUYER, AND ARE NOT A PART OF THE CONTRACT FOR SALE OR THIS LIMITED LIFETIME WARRANTY.

5. Entire Obligation

This Limited Lifetime Warranty states the entire obligation of Manufacturer with respect to the Products. If any part of this Limited Lifetime Warranty is determined to be void or illegal, the remainder shall remain in full force and effect.

6. Warranty Service

How Do You Get Service?

If something goes wrong with your Product, contact FUELAB at 618-344-3300, or send an e-mail with proof of purchase to: info@fuelab.com for a Return Authorization Number (RMA). After receiving your RMA send the product postage paid, fully insured, with a brief written description of the problem to:

FUELAB Warranty Department, 1605 Eastport Plaza Drive, Suite 125, Collinsville, IL 62234

We will inspect your Product and contact you within three business days of receipt to give the results of our inspection and an estimate of the labor and/or parts charges required to fix the Product, if applicable. If covered under this Limited Lifetime Warranty, Manufacturer will repair or replace the Product and return it to you at no cost or refund the purchase price. If the Product is NOT covered under this warranty and if you authorize repairs, we will return the repaired Product to you COD, or prepaid via credit card, within three business days. If we find no issues with the returned product and it meets all performance specifications, there will be a \$25 charge to cover technician labor and inspection time. Additional return shipping charges will apply. We will return the repaired Product to you COD, or prepaid via credit card, within three business days.

Limitation of Liability

THE REMEDIES DESCRIBED ABOVE ARE YOUR SOLE AND EXCLUSIVE REMEDIES AND OUR ENTIRE LIABILITY FOR ANY BREACH OF THIS LIMITED LIFETIME WARRANTY, OUR LIABILITY SHALL UNDER NO CIRCUMSTANCES EXCEED THE ACTUAL AMOUNT PAID BY YOU FOR THE DEFECTIVE PRODUCT, NOR SHALL WE UNDER ANY CIRCUMSTANCES BE LIABLE FOR ANY CONSEQUENTIAL, INCIDENTAL, SPECIAL OR PUNITIVE DAMAGES OR LOSSES, WHETHER DIRECT OR INDIRECT.

SOME STATES DO NOT ALLOW THE EXCLUSION OR LIMITATION OF INCIDENTAL OR CONSEQUENTIAL DAMAGES, SO THE ABOVE LIMITATION OR EXCLUSION MAY NOT APPLY TO YOU.