

**NOTES:**

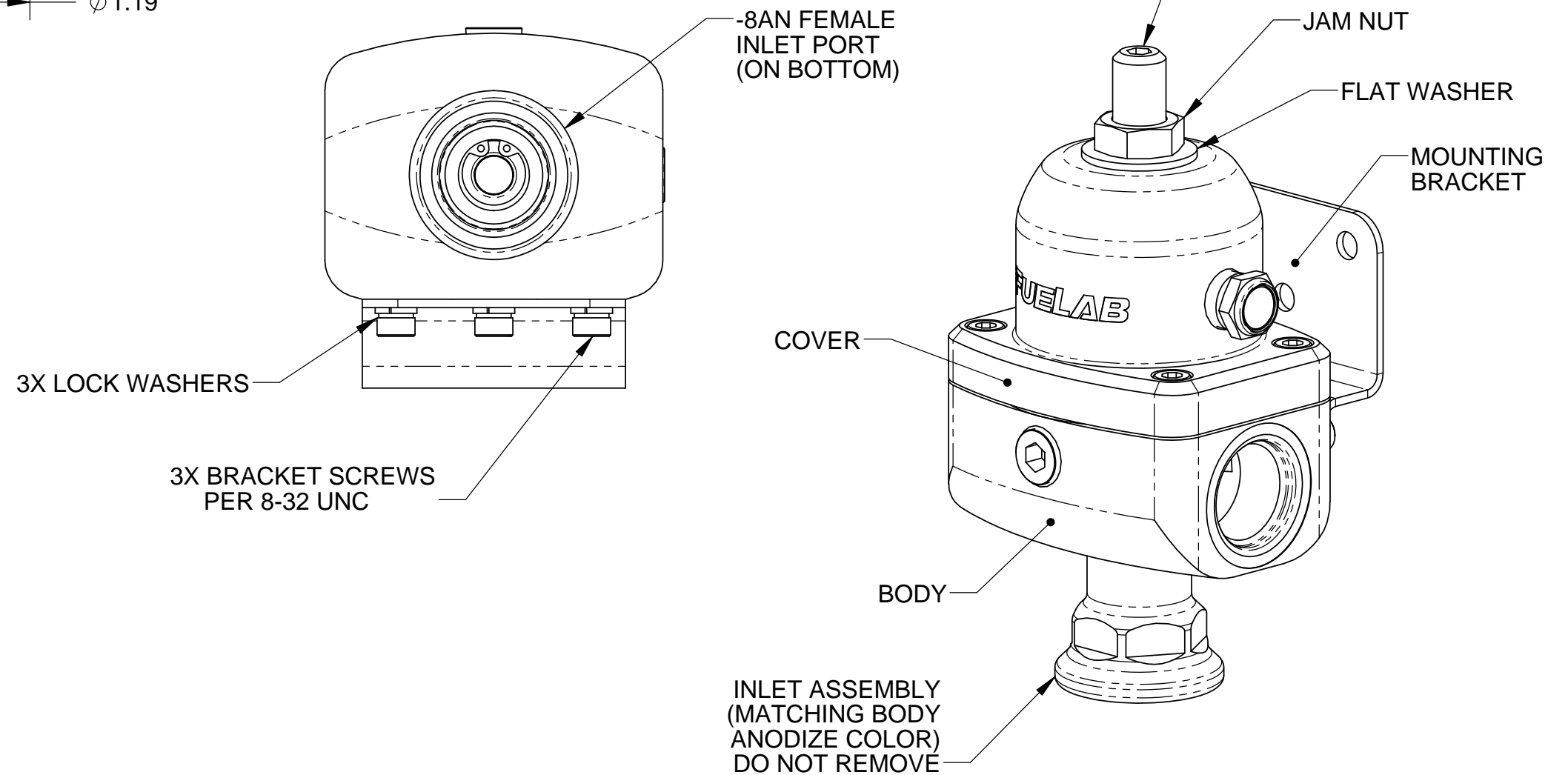
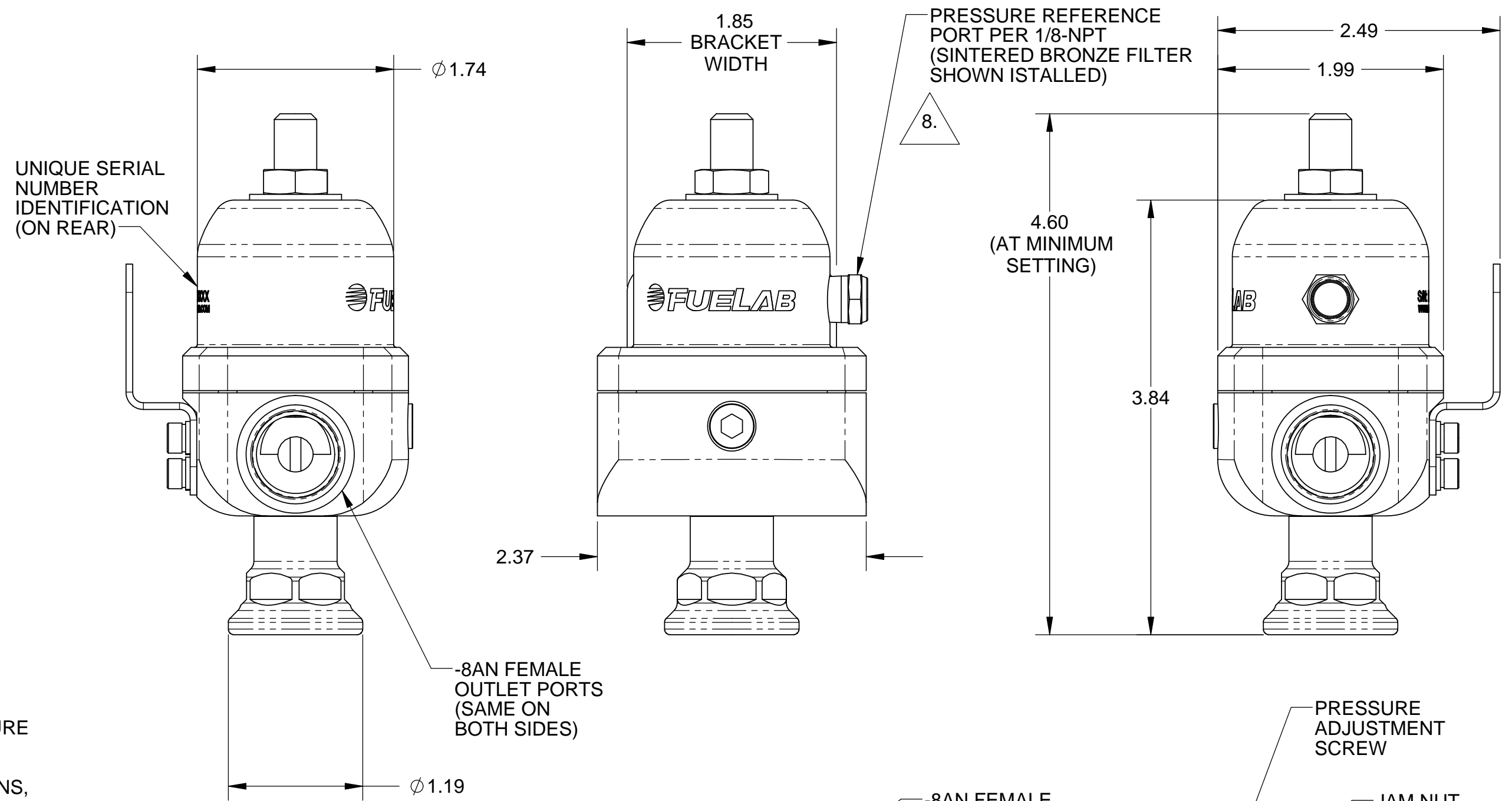
1. THIS DRAWING DESCRIBES THE FUELAB 555xx SERIES MINI FUEL PRESSURE REGULATOR.
2. FEATURES INCLUDE:
  - ONE -8AN INLET PORT (ON BOTTOM OF REGULATOR)
  - TWO -8AN OUTLET PORTS (ON EITHER SIDE OF REGULATOR)
  - AVAILABLE IN PRESSURE RANGES: "L", "C" AND "T"
  - BILLET ALUMINUM, STAINLESS STEEL CONSTRUCTION WITH FLUOROSILICONE DIAPHRAGM AND SEALS. PLUG AND FITTING ARE MADE OF UNPLATED BRASS OR BRONZE.
3. FUEL COMPATIBILITY INCLUDES:
  - GASOLINE (PUMP OR RACE)
  - METHANOL
  - ETHANOL (INCLUDING E85)
  - DIESEL
4. UNIQUE SERIAL NUMBER DOES NOT CONTAIN DIRECT INFORMATION IN DETERMINING MODEL NUMBER. CONTACT FUELAB FOR DETERMINATION OF MODEL NUMBER BASED ON SERIAL NUMBER.
5. BRACKET, PRESSURE ADJUSTMENT HARDWARE, BRACKET MOUNTING HARDWARE, GAUGE PORT PLUG, BARBED FITTING, 3X -908 PORT O-RINGS AND INSTRUCTIONS INCLUDED, BAGGED SEPARATELY FROM REGULATOR.
6. SEE TABLES BELOW FOR DETERMINATION OF DESIRED MODEL NUMBER.
7. RATED FLOW CAPACITY IS A FUNCTION OF PRESSURE SETTING AS WELL AS RETURN LINE SIZE AND CONFIGURATION, THEREFORE FLOW CAPACITY MAY BE HIGHER OR LOWER, BUT REPRESENTS TYPICAL CAPACITY. REGULATION SLOPE REFERS TO CHANGES IN FUEL PRESSURE AS A FUNCTION OF CHANGES IN FLOW RATE. AS THE AMOUNT OF FUEL RUNNING THROUGH THE REGULATOR REDUCES, THE REGULATED PRESSURE WILL LOWER, SPECIFIED BY THE REGULATION SLOPE.
8. FOR TYPICAL NATURALLY ASPIRATED CARBURETED APPLICATIONS, PRESSURE REFERENCE PORT IS VENTED TO ATMOSPHERE USING SUPPLIED SINTERED BRONZE FILTER. ALTERNATE PLUMBING METHODS CAN BE EMPLOYED. CHANGES IN AIR PRESSURE AT THIS PORT WILL RESULT IN A CHANGE IN FUEL PRESSURE AT A RATIO OF 1:1.

**MODEL NUMBER SCHEME:**

- 55501 - c**  
 c = COLOR CODE  
 STANDARD CARBURETED ("C" PRESSURE RANGE) FUEL PRESSURE REGULATOR
- 55502 - c**  
 c = COLOR CODE  
 LOW PRESSURE CARBURETED ("L" PRESSURE RANGE) FUEL PRESSURE REGULATOR
- 55503 - c**  
 c = COLOR CODE  
 "T" PRESSURE RANGE FUEL PRESSURE REGULATOR

**PERFORMANCE SPECIFICATIONS**

MODEL	APPROX. PRESSURE RANGE	APPROX. FLOW CAPACITY	REGULATION SLOPE
55501-c	4-12 PSID (0.28 - 0.82 BAR)	1.67 GPM (380 LPH)	0.8 PSI/GPM
55502-c	1-3 PSID (0.1 - 0.22 BAR)	1.25 GPM (285 LPH)	0.7 PSI/GPM
55503-c	10-25 PSID (0.7 - 1.7 BAR)	2.5 GPM (570 LPH)	0.9 PSI/GPM



**COLOR CODE, c**

c	COVER COLOR	BODY COLOR
1	BLACK	BLACK
2	RED	CLEAR
3	BLUE	CLEAR
4	PURPLE	CLEAR
5	GOLD	BLACK
6	GREEN	CLEAR

**ISOMETRIC VIEW (ALL VIEWS SHOWN WITH HARDWARE INSTALLED)**

UNLESS OTHERWISE SPECIFIED:  
 INTERPRET DWG PER ANSI Y14.5  
 DIMENSIONS ARE IN INCHES  
 TOLERANCES:  
 FRACTIONAL: ±1/64"  
 ANGULAR: ±1/2°  
 DECIMALS:  
 X±1 .XX±0.03 .XXX±0.010  
 SURFACE FINISH: 128 OR BETTER  
 BREAK ALL SHARP EDGES .010 MAX  
 REMOVE ALL BURRS

THIRD ANGLE PROJECTION

DO NOT SCALE DRAWING

**FUELAB**  
 DIGITAL FUEL DELIVERY  
 Litchfield, Illinois

TITLE:  
**REGULATOR, 555xx SERIES**

SIZE: **C** DWG. NO.: **105020500** REV: \_\_\_\_\_

SCALE: 1/1 WEIGHT: \_\_\_\_\_ SHEET: 1 OF 1