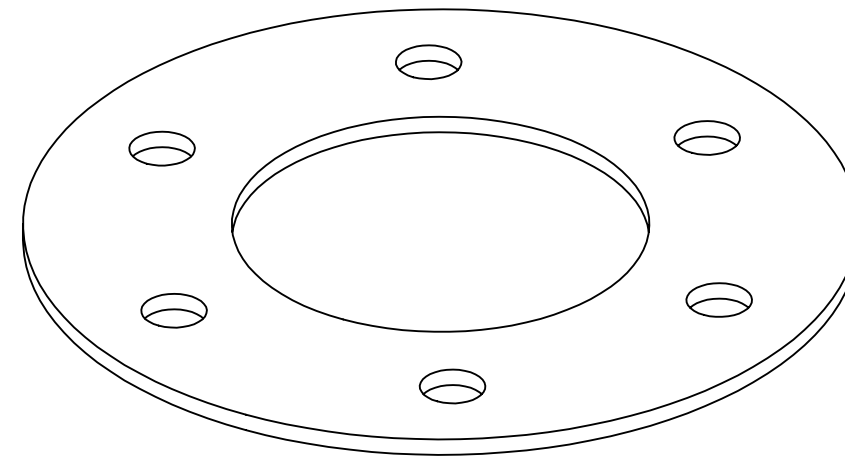
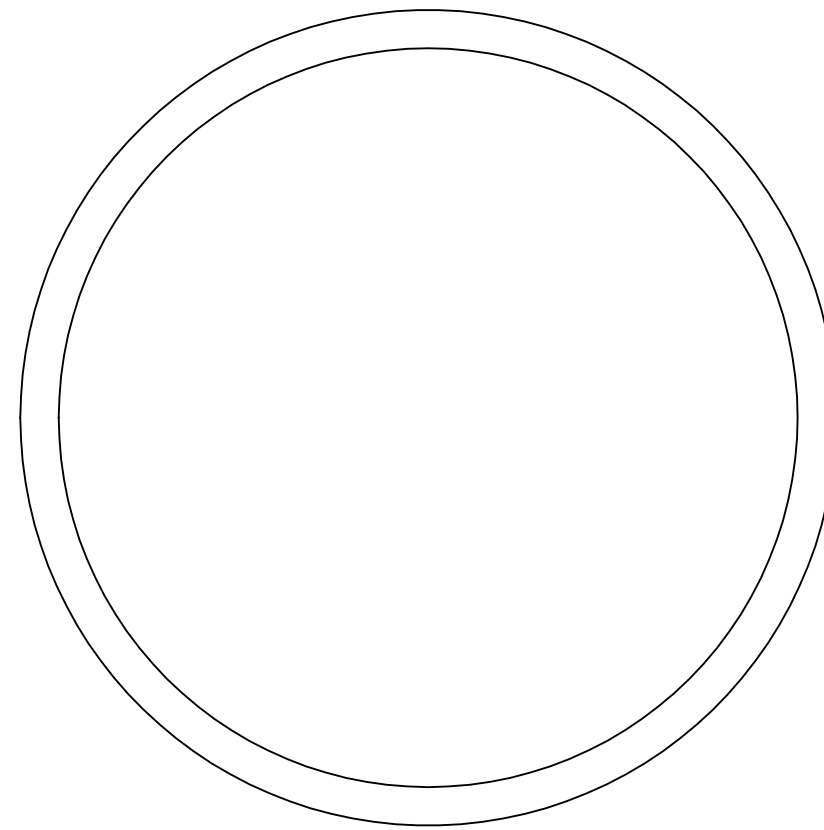


NOTES:

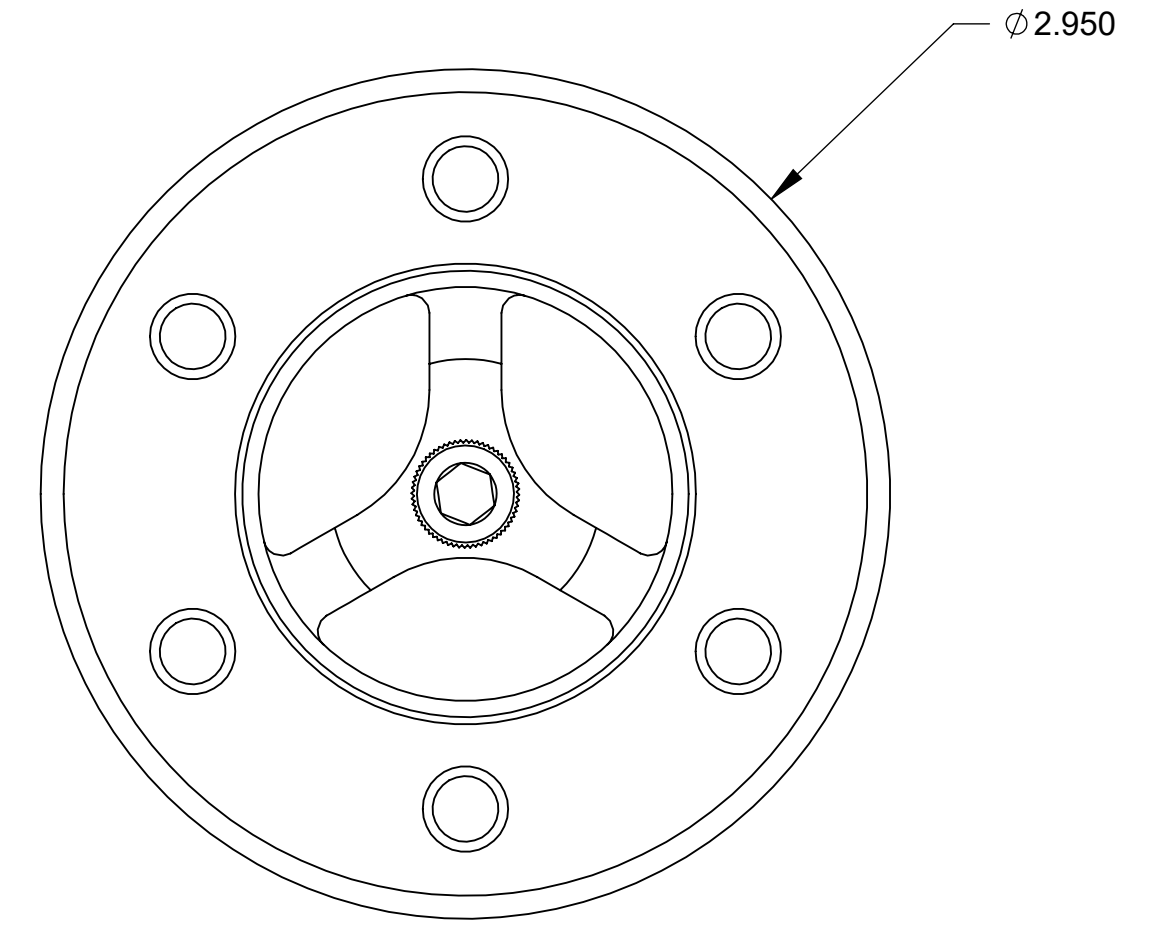
1. THIS DRAWING DESCRIBES 63712 REMOTE FUEL FILL KIT WITH CAP.
2. FEATURES INCLUDE:
 - REMOTE FILLER NECK
 - GASKET
 - FUEL CAP
 - O RING
 - REMOTE FLANGE MOUNTING BRACKET
 - CLEAR TUBE - 3ft. (NOT SHOWN)
 - HOSE CLAMPS
 - ROLLOVER FLAP
 - MOUNTING HARDWARE
3. FUEL COMPATIBILITY INCLUDES:
 - GASOLINE (PUMP OR RACE)
 - E85
 - METHANOL



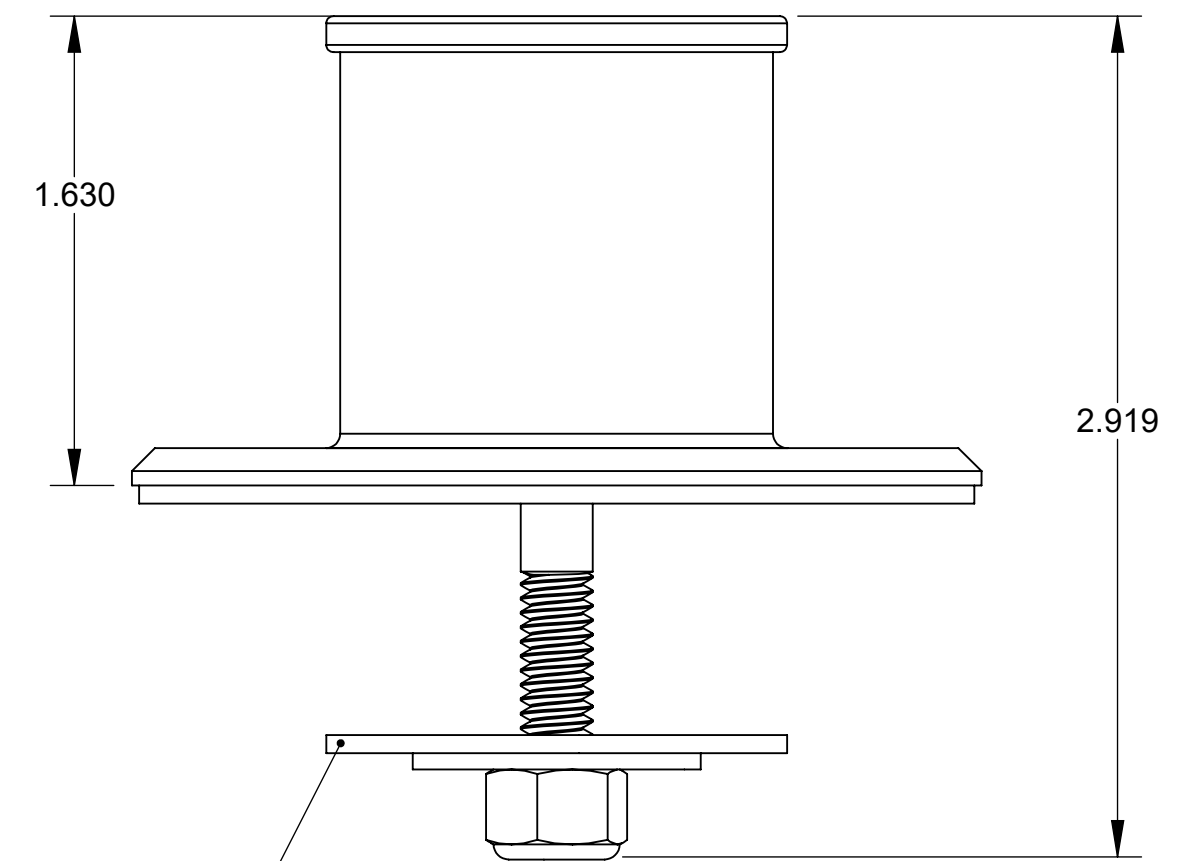
GASKET(S)



ORING



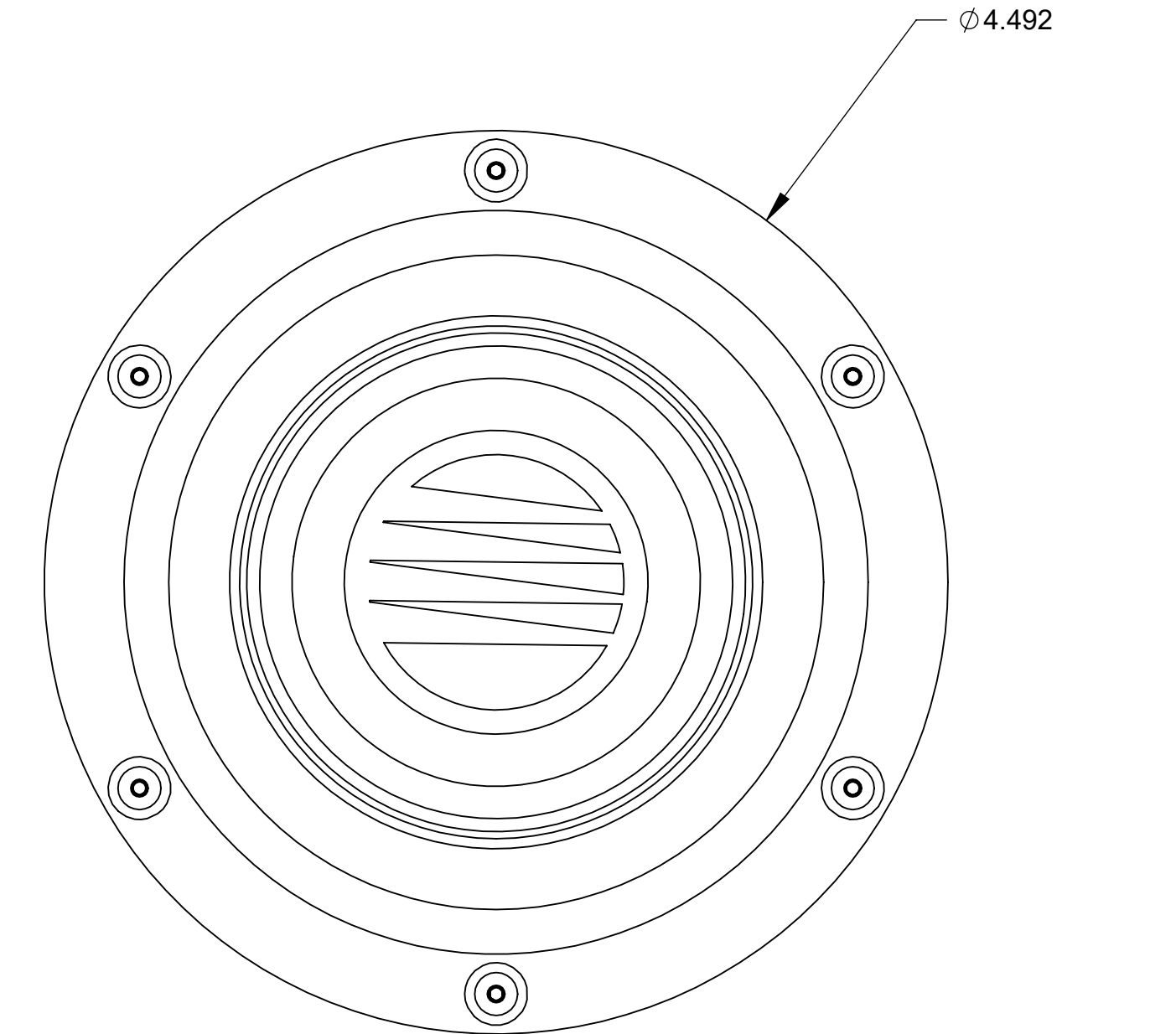
Ø 2.950



1.630

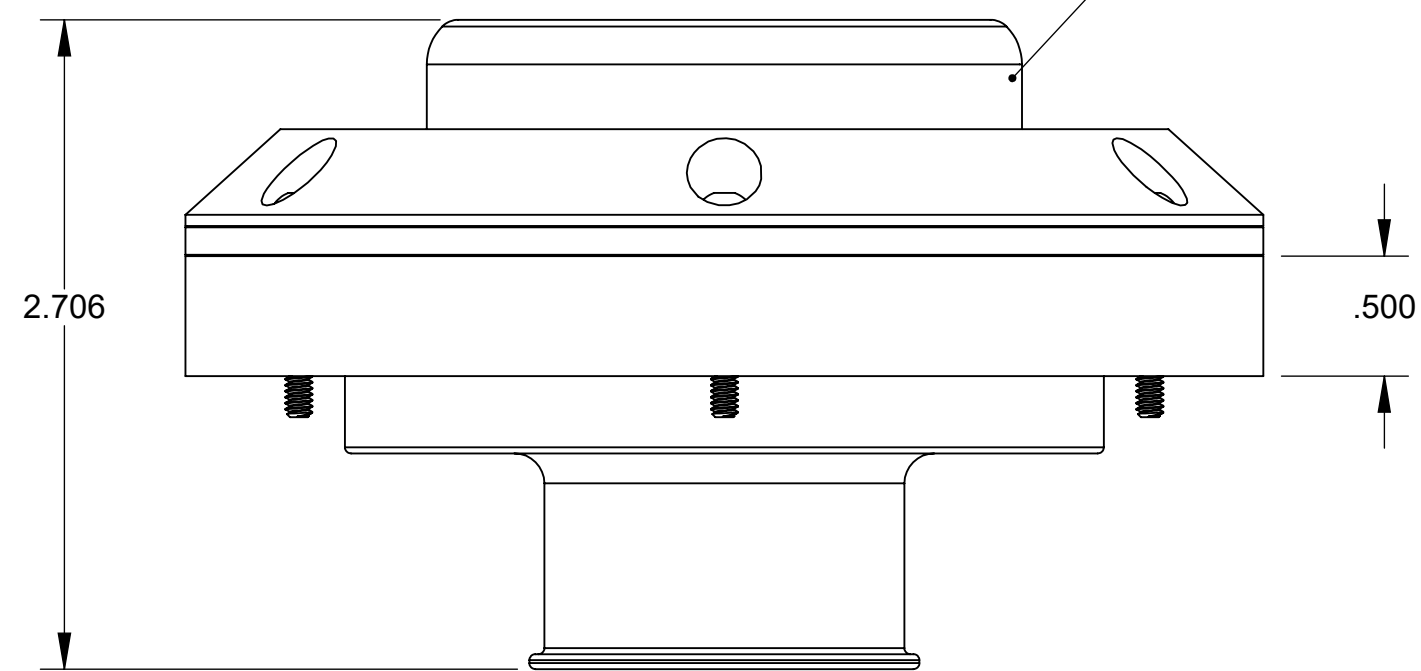
2.919

ROLLOVER FLAP REMOTE FILLER NECK



Ø 4.492

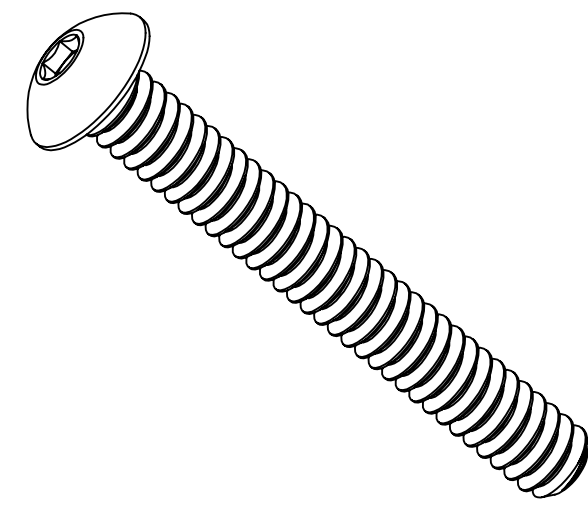
MEDIUM KNURL CAP



2.706

.500

REMOTE FILL



SCREWS (MOUNTING HARDWARE)

UNLESS OTHERWISE SPECIFIED:		FUELAB DIGITAL FUEL DELIVERY Collinsville, Illinois	
INTERPRET DWG PER ANSI Y14.5 DIMENSIONS ARE IN INCHES		TITLE: REMOTE FUEL FILL KIT, 63712	
TOLERANCES: FRACTIONAL: ± 1/64" ANGULAR: ± 1/2° DECIMALS: X+1 .XX±.03 .XXX±.010		SIZE	DWG. NO.
SURFACE FINISH 128 ✓ OR BETTER		C	155020107
BREAK ALL SHARP EDGES .010 MAX REMOVE ALL BURRS		REV	B
THIRD ANGLE PROJECTION	DO NOT SCALE DRAWING	SCALE: 1/2	WEIGHT: SHEET: 1 OF 1