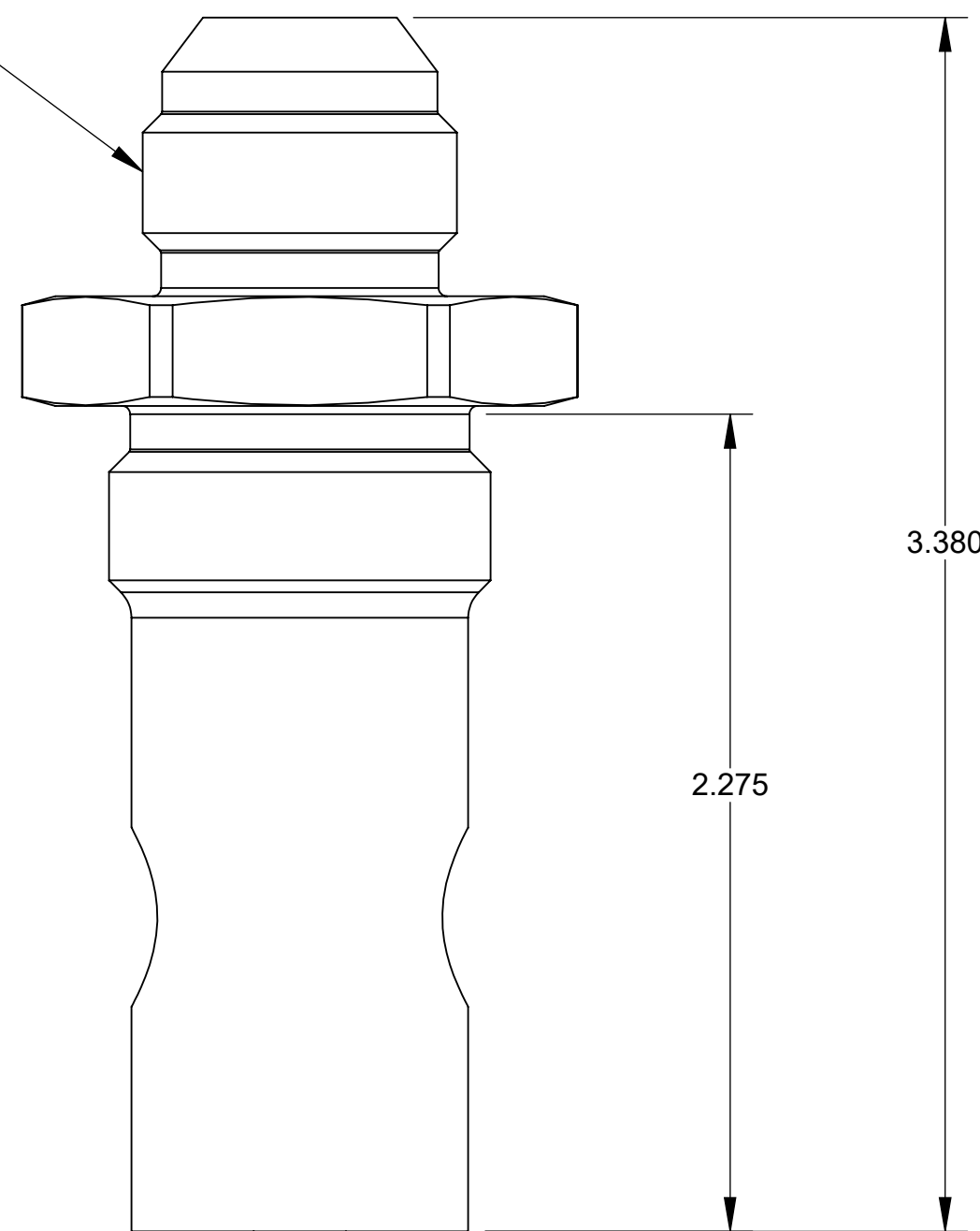


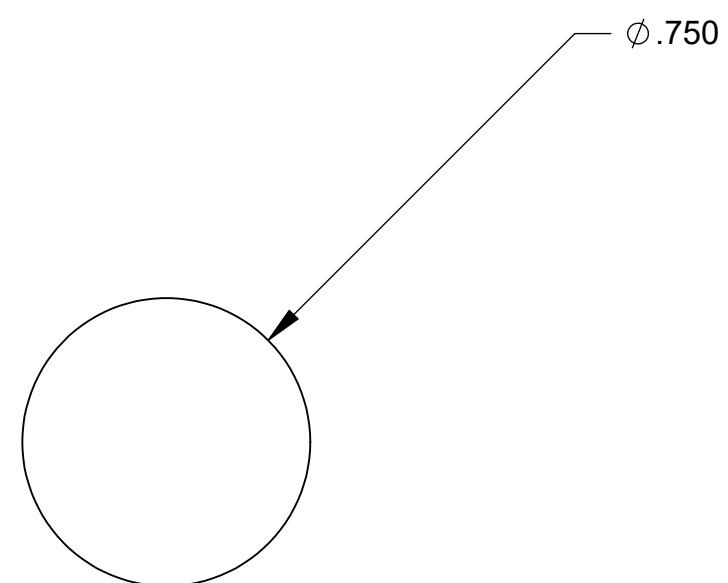
**NOTES:**

1. THIS DRAWING DESCRIBES 63704 ROLLOVER PROTECTION.
2. FEATURES INCLUDE:
  - ROLLOVER VALVE
  - STAINLESS STEEL BALLS
  - ORING
3. FUEL COMPATIBILITY INCLUDES:
  - GASOLINE (PUMP OR RACE)
  - E85
  - METHANOL

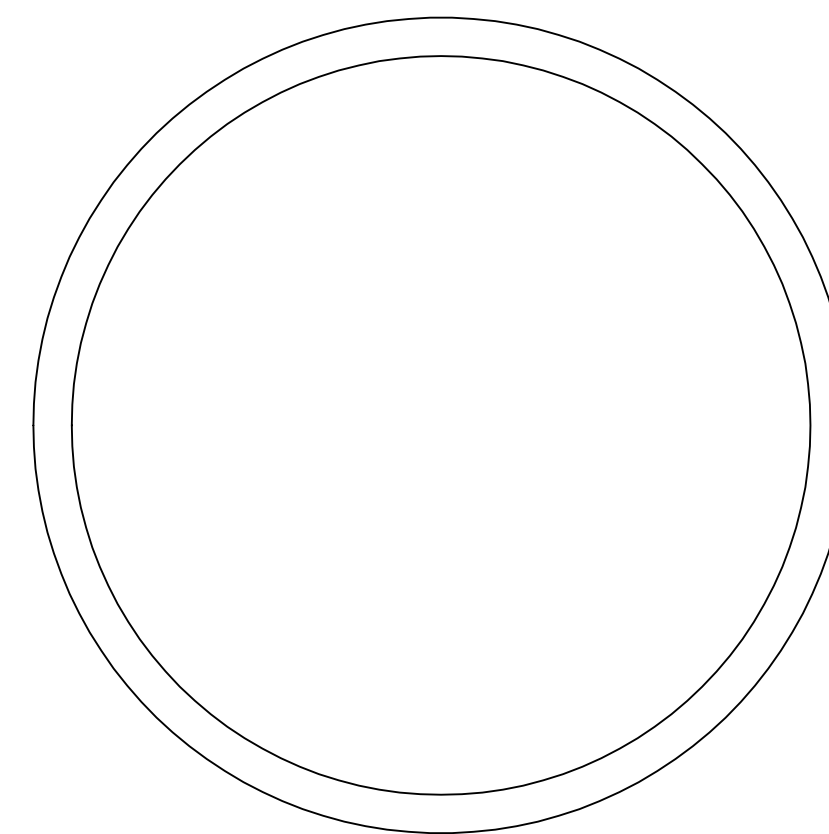
10-AN  
7/8"-14 SAE





**ROLLOVER VALVE**



**BALL**



**ORING**

UNLESS OTHERWISE SPECIFIED:		 COLLINSVILLE, ILLINOIS	
INTERPRET DWG PER ANSI Y14.5 DIMENSIONS ARE IN INCHES TOLERANCES: FRACTIONAL: ± 1/64" ANGULAR: ± 1/2° DECIMALS: .X ± .1    .XX ± .03    .XXX ± .010		TITLE: <b>ROLLOVER PROTECTION, 63704</b>	
SURFACE FINISH: 128 ✓ OR BETTER BREAK ALL SHARP EDGES .010 MAX REMOVE ALL BURRS		SIZE <b>C</b>	DWG. NO. <b>155020104</b>
THIRD ANGLE PROJECTION 		REV <b>B</b>	SCALE: 1/2    WEIGHT:    SHEET: 1 OF 1
DO NOT SCALE DRAWING			