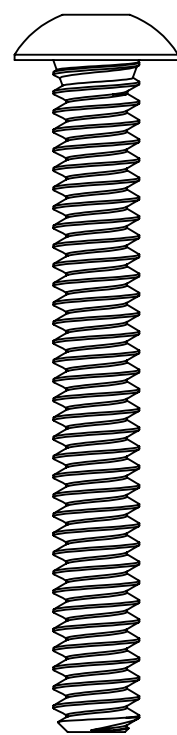
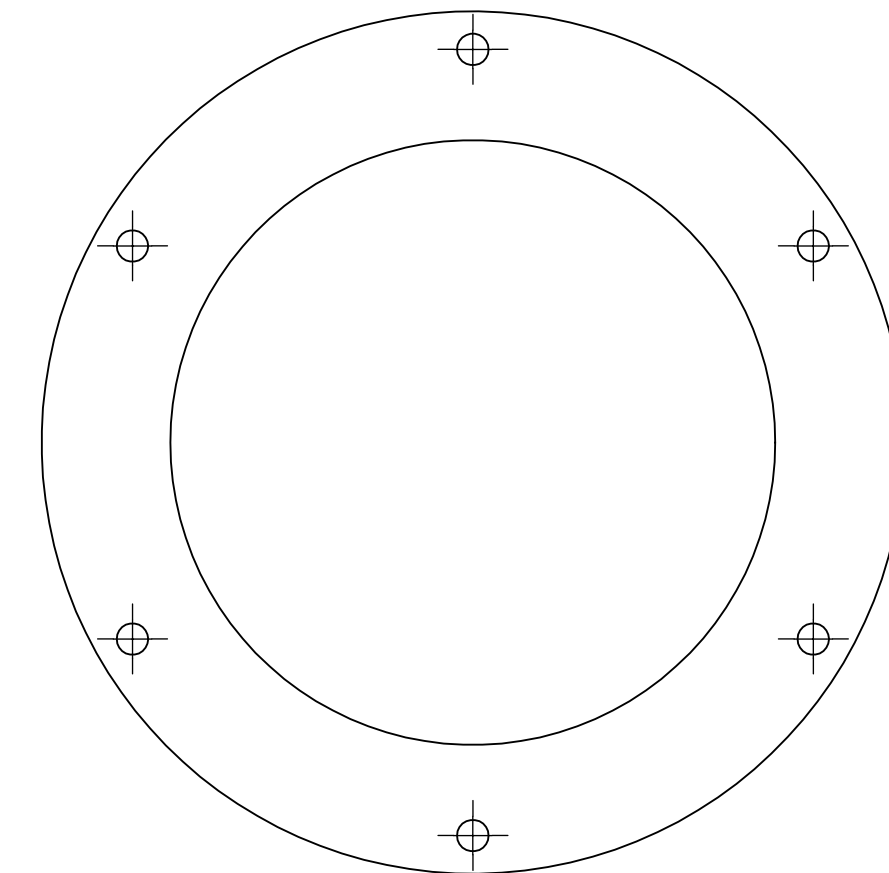
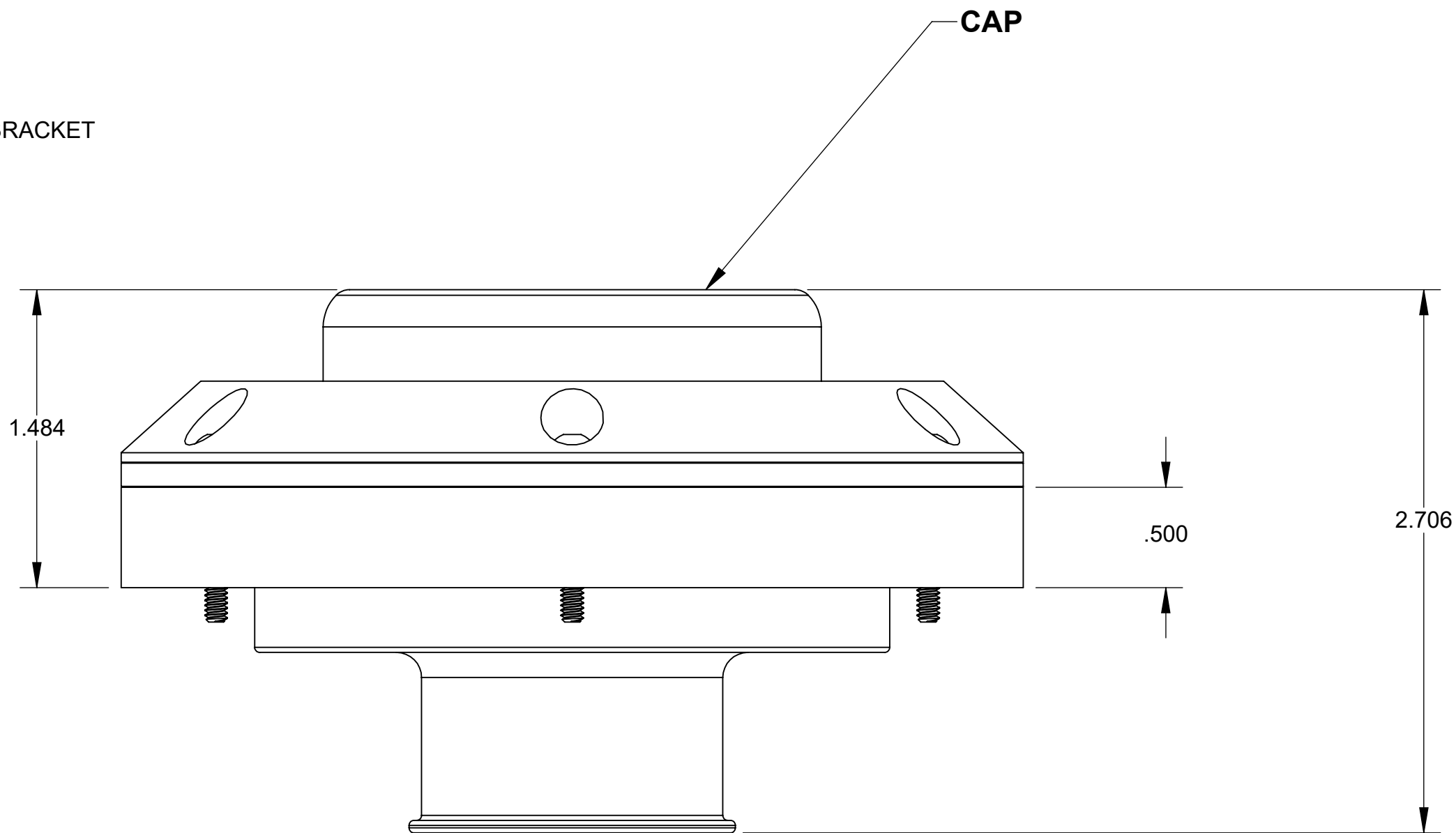


**NOTES:**

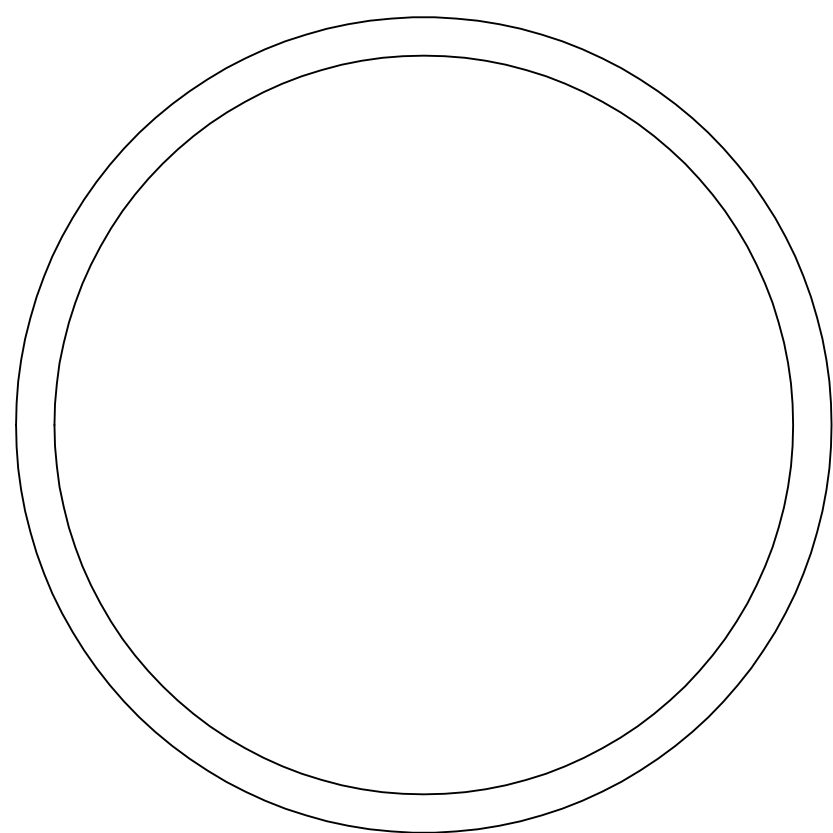
1. THIS DRAWING DESCRIBES 63702 REMOTE FUEL FILLER NECK AND FLANGE.
2. FEATURES INCLUDE:
  - REMOTE FILLER NECK
  - GASKET
  - REMOTE FLANGE
  - REMOTE FLANGE MOUNTING BRACKET
  - FUEL CAP
  - O-RING
3. FUEL COMPATIBILITY INCLUDES:
  - GASOLINE (PUMP OR RACE)
  - E85
  - METHANOL



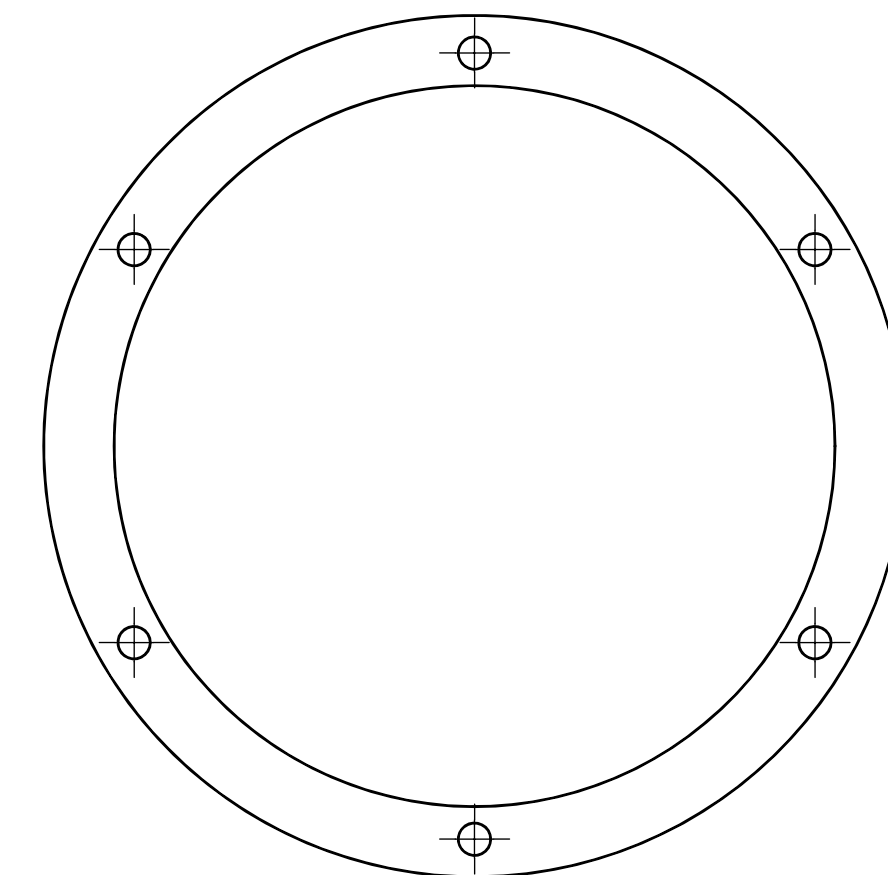
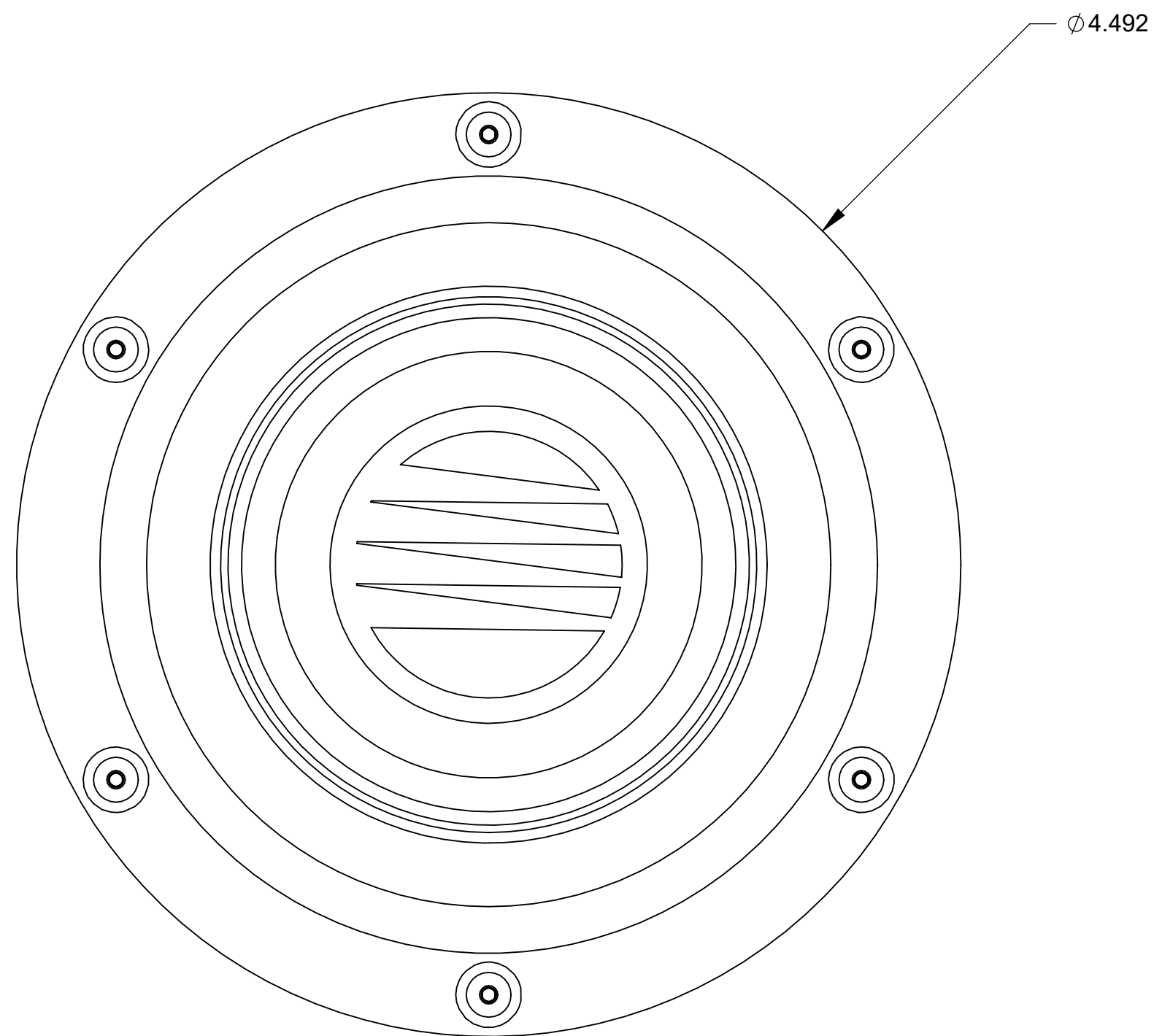
**SCREWS  
(MOUNTING HARDWARE)**





**REMOTE FLANGE GASKET**



**O RING**



**REMOTE FLANGE BRACKET**

UNLESS OTHERWISE SPECIFIED:		 COLLINSVILLE, ILLINOIS	
<small>           INTERPRET DWG PER ANSI Y14.5            DIMENSIONS ARE IN INCHES            TOLERANCES:            FRACTIONAL: ± 1/64"            ANGULAR: ± 1/2°            DECIMALS:            X+1 .XX±.03 .XXX±.010            SURFACE FINISH 128 OR BETTER            BREAK ALL SHARP EDGES .010 MAX            REMOVE ALL BURRS         </small>			
<small>THIRD ANGLE PROJECTION</small> 		<small>SIZE</small> <b>C</b>	<small>DWG. NO.</small> <b>155020102</b>
<small>DO NOT SCALE DRAWING</small>		<small>SCALE:</small> 1/2	<small>WEIGHT:</small> <small>SHEET:</small> 1 OF 1
		<small>REV</small> <b>B</b>	

**REMOTE FUEL FILLER NECK & FLANGE, 63702**