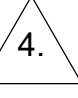
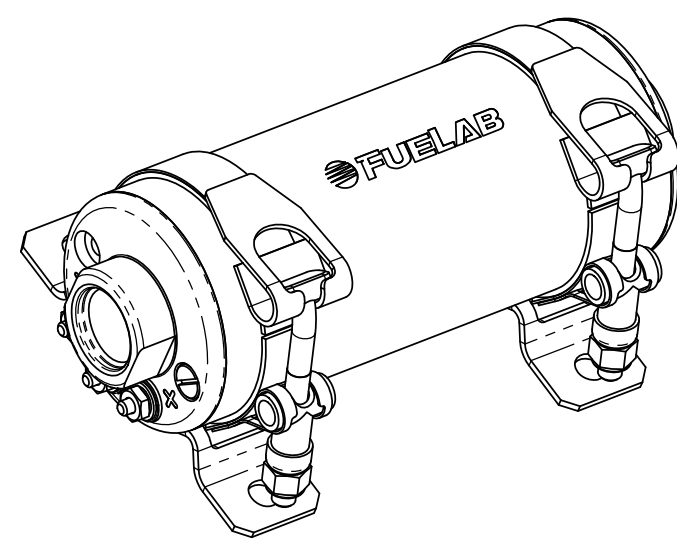
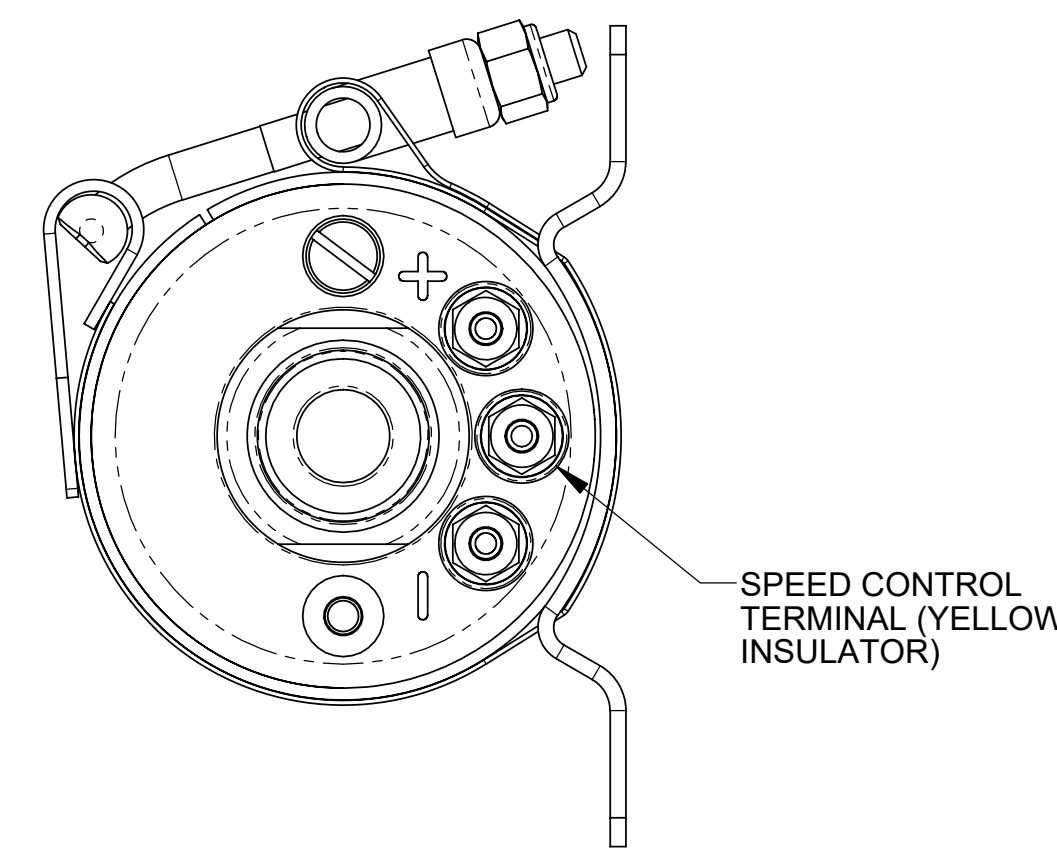
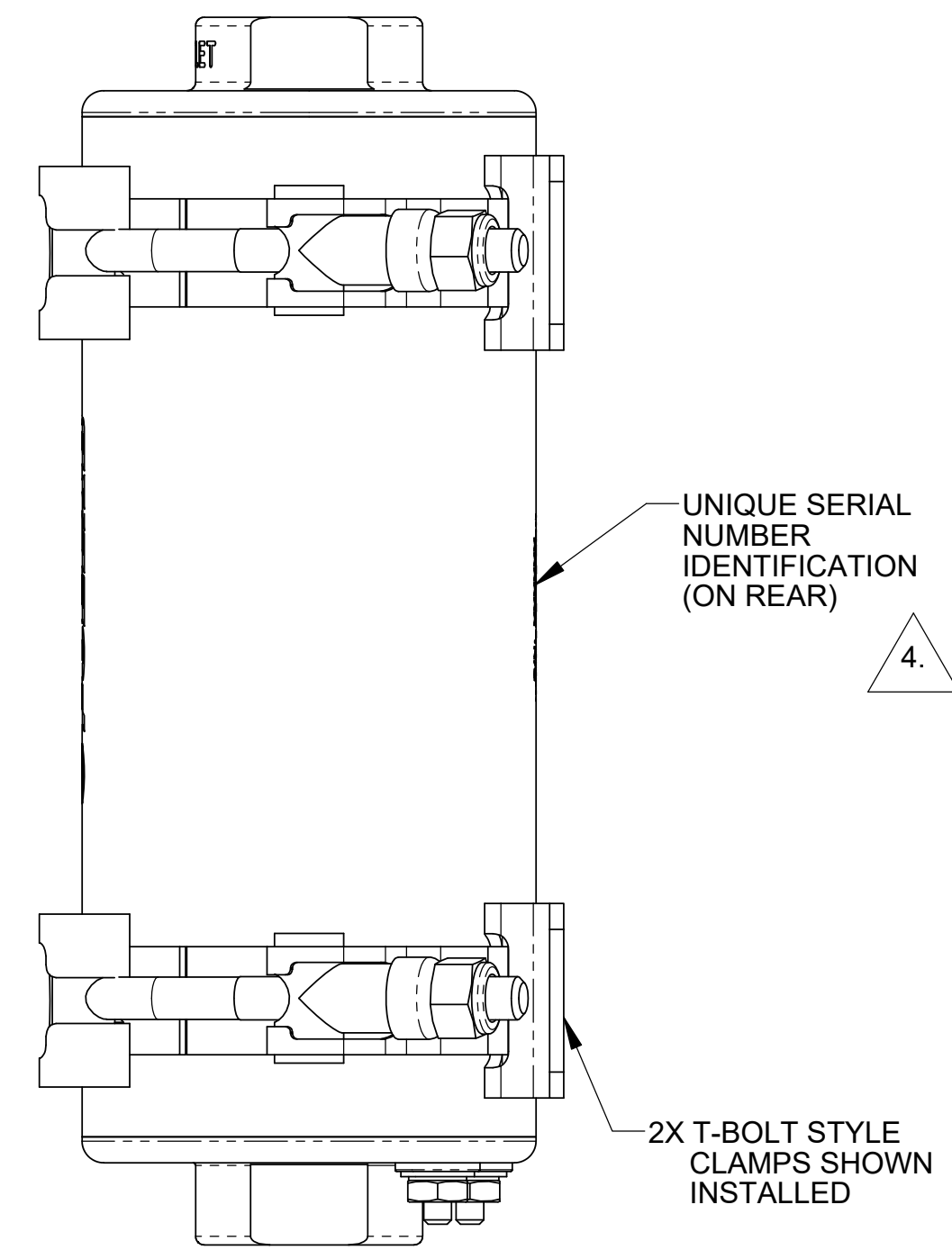
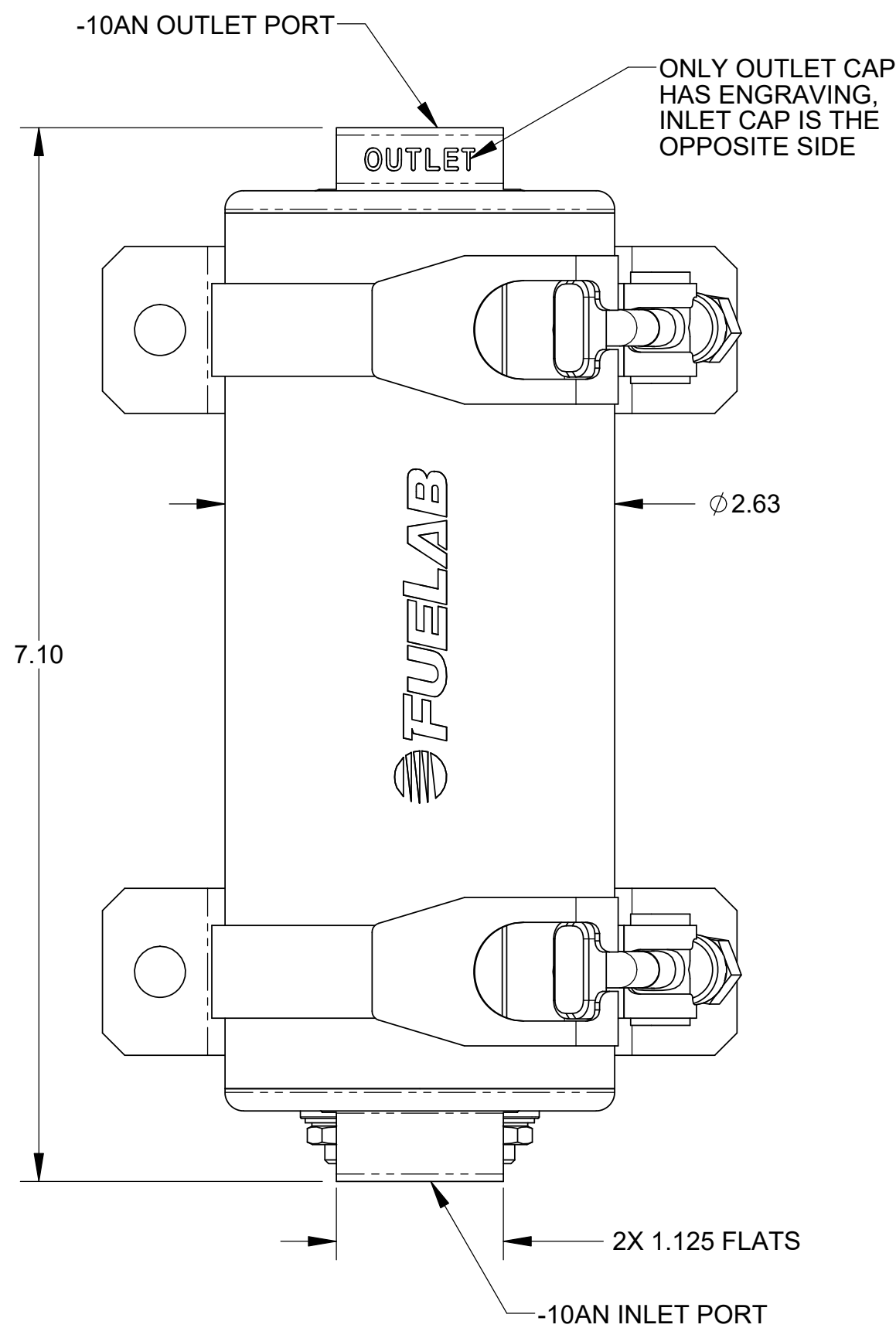


**NOTES:**

1. THIS DRAWING DESCRIBES THE FUELAB 424xx SERIES ELECTRONIC FUEL PUMP.
2. FEATURES INCLUDE:
  - THREE PHASE DC BRUSHLESS MOTOR WITH NEODYMIUM MAGNETS
  - INTEGRATED ELECTRONICS WITH SPEED CONTROL
  - WET MOTOR DESIGN, WITHOUT DYNAMIC SHAFT SEALS
  - BILLET ALUMINUM, STAINLESS STEEL CONSTRUCTION WITH FLUOROSILICONE SEALS
  - STANDARD T-BOLT STAINLESS STEEL BRACKETS INCLUDED
3. FUEL COMPATIBILITY INCLUDES:
  - GASOLINE (PUMP OR RACE)
  - METHANOL
  - ETHANOL (INCLUDING E85)
  - DIESEL
4.  UNIQUE SERIAL NUMBER DOES NOT CONTAIN DIRECT INFORMATION IN DETERMINING MODEL NUMBER. CONTACT FUELAB FOR DETERMINATION OF MODEL NUMBER BASED ON SERIAL NUMBER.
5. TWO (2) T-BOLT STAINLESS STEEL BRACKETS, O-RINGS, INSTRUCTIONS AND PERFORMANCE CERTIFICATION INCLUDED, BAGGED SERPARATELY FROM PUMP.
6. 8-32 VOLT OPERATING RANGE, USE ONLY 12 VOLT (6 CELL LEAD ACID BATTERY) VEHICLE SYSTEMS WITH OR WITHOUT CHARGING SYSTEM, OR 24 VOLT (12 CELL LEAD ACID BATTERY) VEHICLE SYSTEMS WITHOUT CHARGING SYSTEM.
7. ALL MODEL 424xx SERIES PUMPS REQUIRE BYPASS REGULATOR OR RELIEF VALVE TO AVOID OVER-PRESSURE OPERATING CONDITION.
8. REFERENCE DRAWING 1100202A1 FOR ASSEMBLY INSTRUCTIONS.
9. SEE TABLES BELOW FOR DETERMINATION OF DESIRED MODEL NUMBER



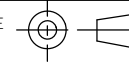
**MODEL SELECTION TABLE**

MODEL	FLOW RATING, AT 13.5v	FLOW RATING, AT 13.5v	MAX. PRESSURE
42401-c	190 GPH AT 45 PSI	720 LPH AT 3 BAR	100 PSI (6.8 BAR)
42402-c	220 GPH AT 45 PSI	832 LPH AT 3 BAR	100 PSI (6.8 BAR)


**COLOR CODE, c**

c	SLEEVE COLOR	CAPS COLOR
1	BLACK	BLACK
2	RED	CLEAR
3	BLUE	CLEAR
4	PURPLE	CLEAR
5	GOLD	BLACK
6	GREEN	CLEAR

UNLESS OTHERWISE SPECIFIED:  
 INTERPRET DWG PER ANSI Y14.5  
 DIMENSIONS ARE IN INCHES  
 TOLERANCES:  
 FRACTIONAL: ±1/64"  
 ANGULAR: ±1/2°  
 DECIMALS:  
 X±1 .XX±.03 .XXX±.010  
 SURFACE FINISH: 128 OR BETTER  
 BREAK ALL SHARP EDGES .010 MAX  
 REMOVE ALL BURRS

THIRD ANGLE PROJECTION 

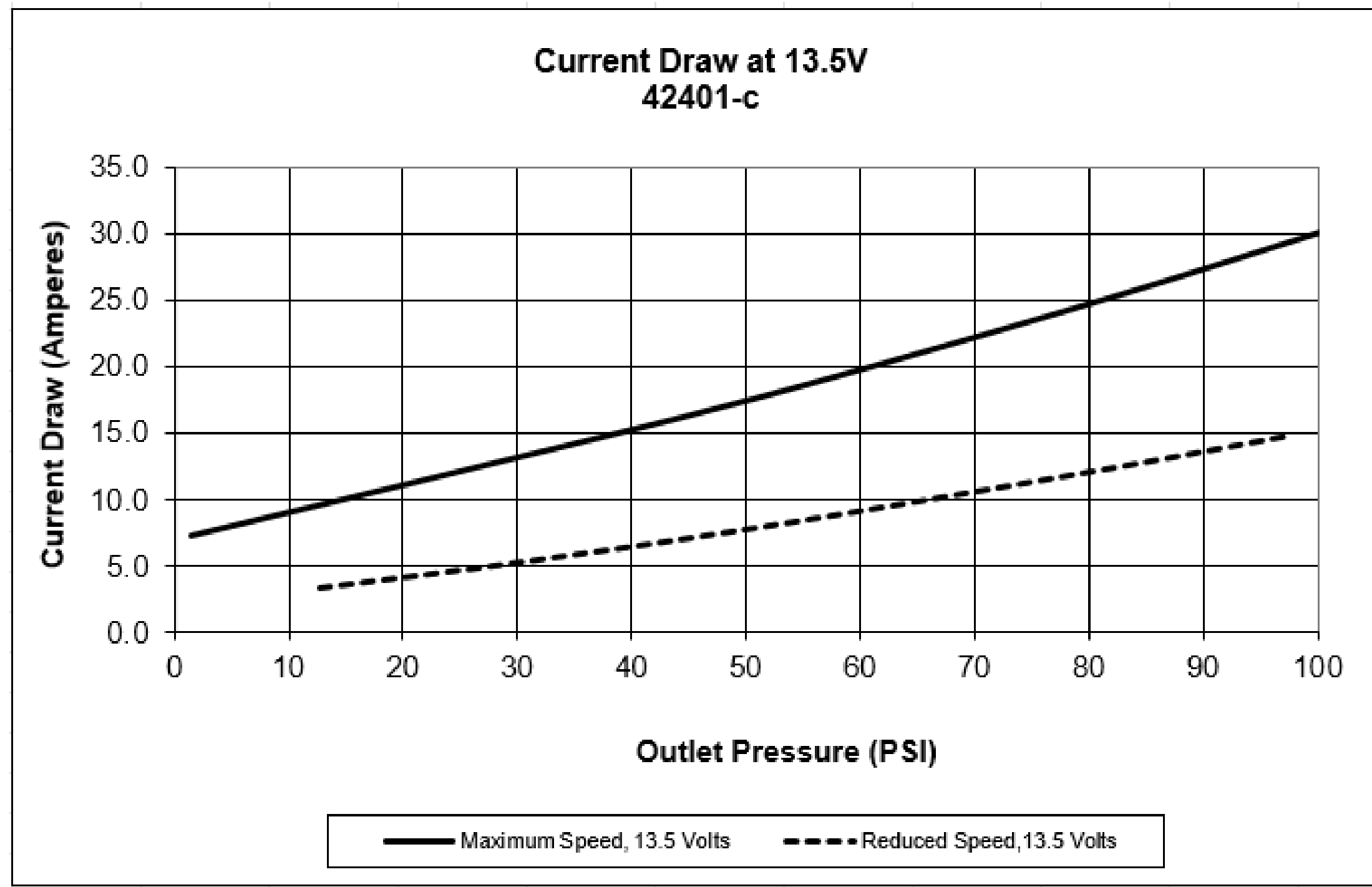
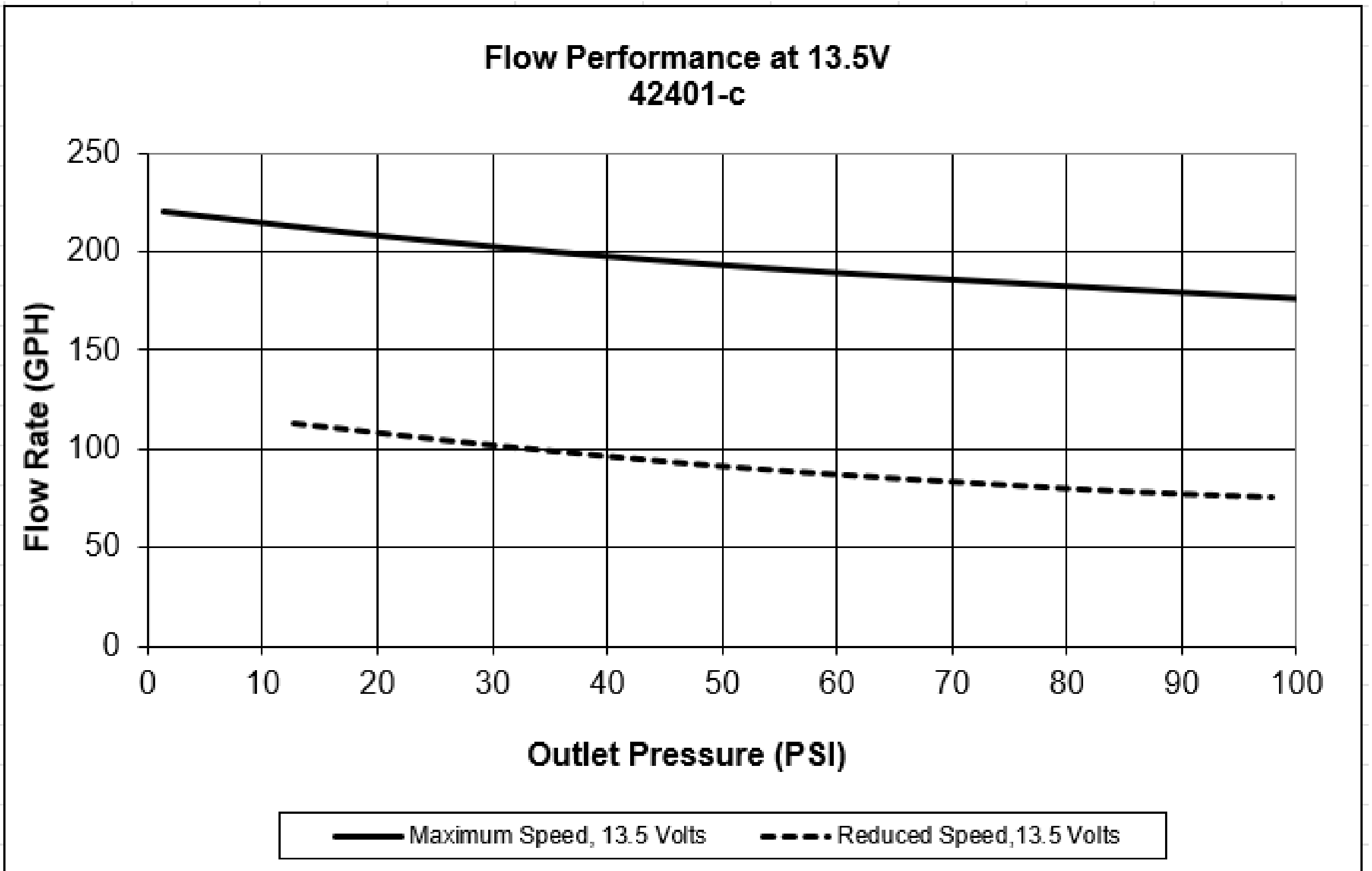
DO NOT SCALE DRAWING

 **FUELAB**  
 Digital Fuel Delivery Collinsville, Illinois

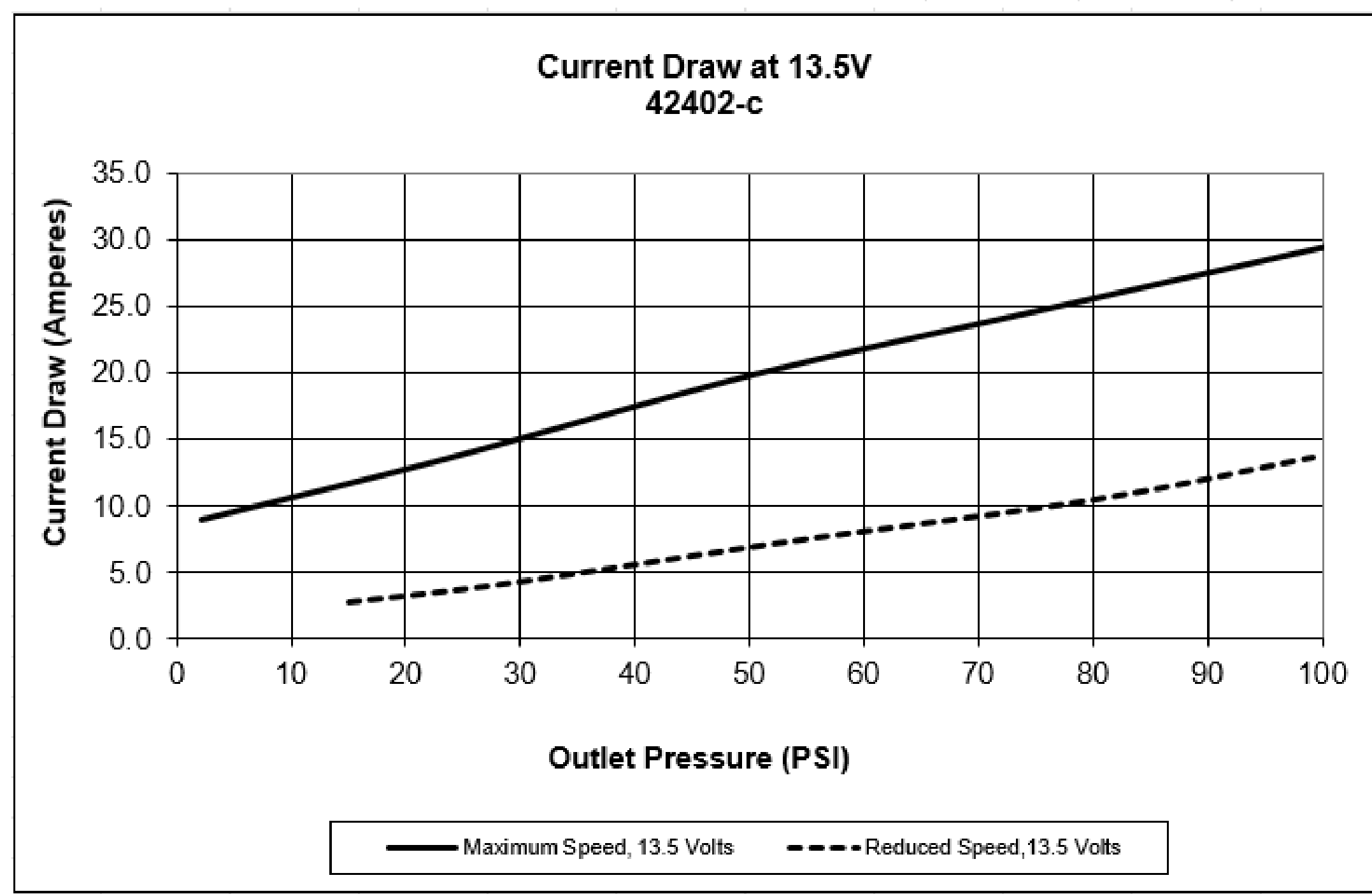
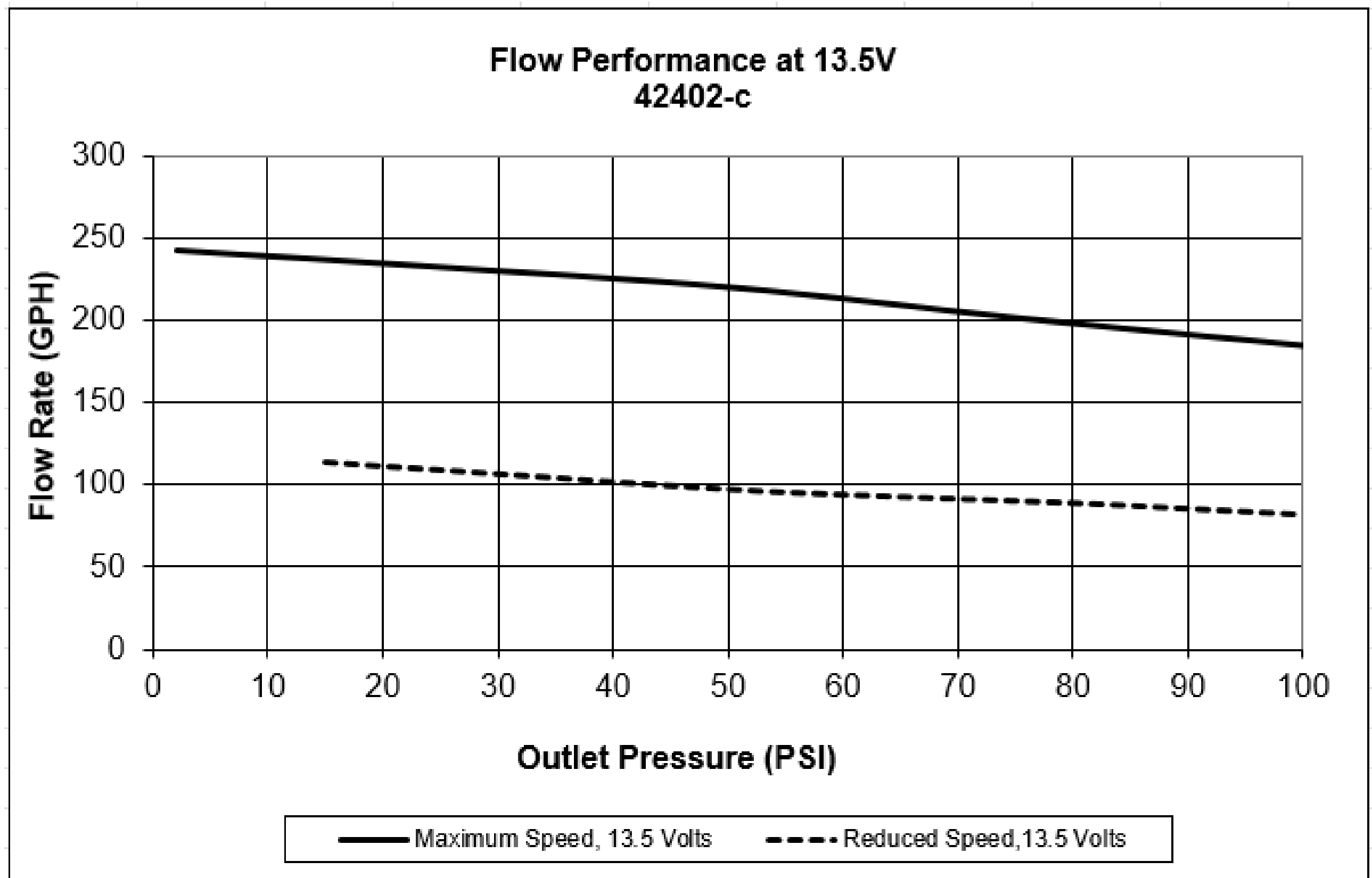
TITLE:  
**ELECTRONIC FUEL PUMP,  
 424xx SERIES**

SIZE	DWG. NO.	REV
<b>C</b>	<b>110020200</b>	<b>D</b>

SCALE: 1/1 WEIGHT: 2.6 LB SHEET: 1 OF 3



UNLESS OTHERWISE SPECIFIED: INTERPRET DWG PER ANSI Y14.5 DIMENSIONS ARE IN INCHES TOLERANCES: FRACTIONAL: ±1/64" ANGULAR: ± 1/2° DECIMALS: X+1 .XX±.03 .XXX±.010 SURFACE FINISH $\sqrt{128}$ OR BETTER BREAK ALL SHARP EDGES .010 MAX REMOVE ALL BURRS		<b>FUELAB</b> <small>DIGITAL FUEL DELIVERY</small> Collinsville, Illinois	
TITLE: <b>ELECTRONIC FUEL PUMP,          424xx SERIES</b>			
SIZE <b>C</b>	DWG. NO. <b>110020200</b>	REV <b>D</b>	
SCALE: 1/1		WEIGHT: 2.6 LB	SHEET: 2 OF 3



UNLESS OTHERWISE SPECIFIED: INTERPRET DWG PER ANSI Y14.5 DIMENSIONS ARE IN INCHES TOLERANCES: FRACTIONAL: ±1/64" ANGULAR: ±1/2° DECIMALS: X±1 .XX±.03 .XXX±.010 SURFACE FINISH: 128 ✓ OR BETTER BREAK ALL SHARP EDGES .010 MAX REMOVE ALL BURRS		<b>FUELAB</b> Digital Fuel Delivery Collinsville, Illinois	
TITLE: <b>ELECTRONIC FUEL PUMP,          424xx SERIES</b>			
SIZE <b>C</b>	DWG. NO. <b>110020200</b>	REV <b>D</b>	
SCALE: 1/1		WEIGHT: 2.6 LB	SHEET: 3 OF 3